



Chipsmall Limited consists of a professional team with an average of over 10 year of expertise in the distribution of electronic components. Based in Hongkong, we have already established firm and mutual-benefit business relationships with customers from,Europe,America and south Asia,supplying obsolete and hard-to-find components to meet their specific needs.

With the principle of "Quality Parts,Customers Priority,Honest Operation,and Considerate Service",our business mainly focus on the distribution of electronic components. Line cards we deal with include Microchip,ALPS,ROHM,Xilinx,Pulse,ON,Everlight and Freescale. Main products comprise IC,Modules,Potentiometer,IC Socket,Relay,Connector.Our parts cover such applications as commercial,industrial, and automotives areas.

We are looking forward to setting up business relationship with you and hope to provide you with the best service and solution. Let us make a better world for our industry!



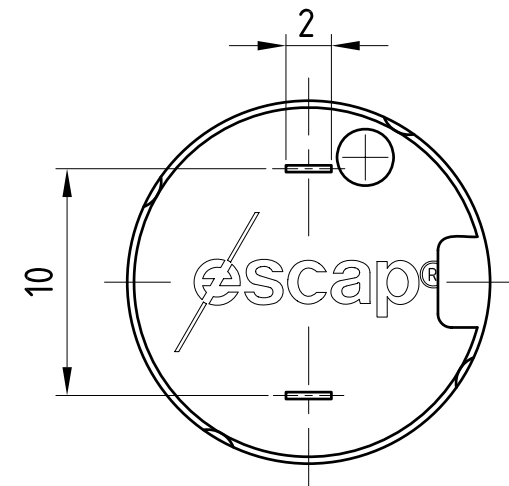
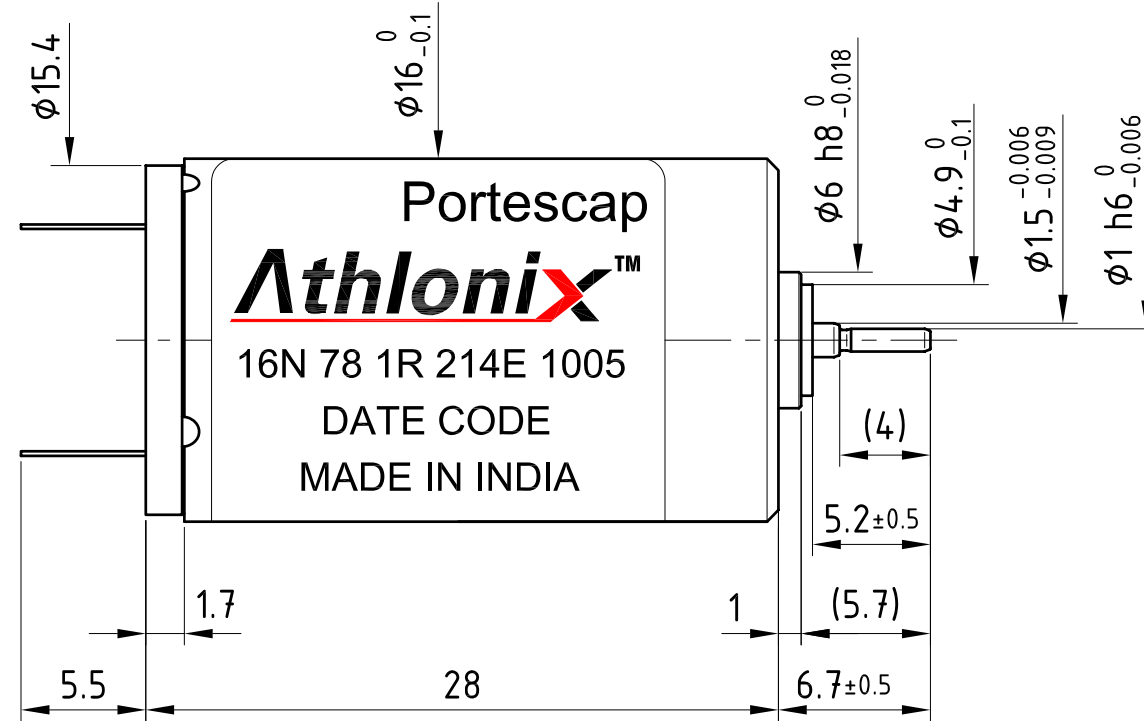
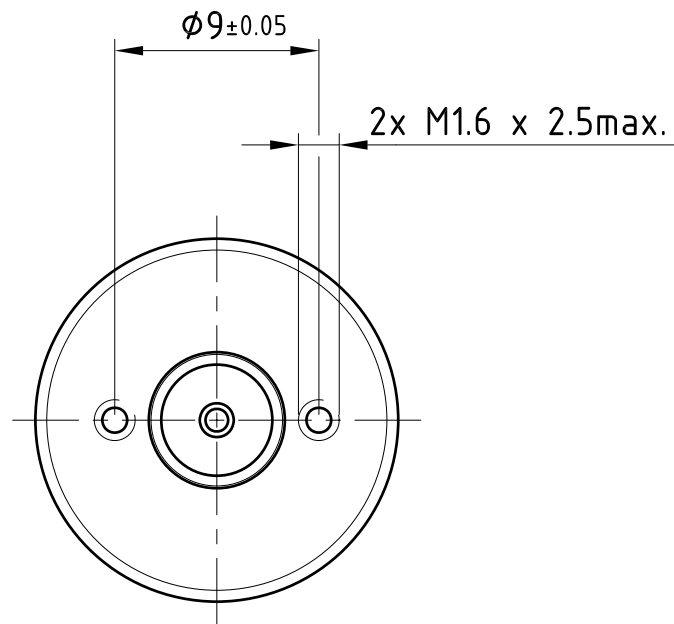
## Contact us

Tel: +86-755-8981 8866 Fax: +86-755-8427 6832

Email & Skype: [info@chipsmall.com](mailto:info@chipsmall.com) Web: [www.chipsmall.com](http://www.chipsmall.com)

Address: A1208, Overseas Decoration Building, #122 Zhenhua RD., Futian, Shenzhen, China





1.011.16.5040.S11

Unless & otherwise specified, all dimensions and tolerances are in mm.

Drawn: 08.05.14 NB    Checked: JmF    2014.05.08 17:28:56 +0530    Approved: [Signature]    Revision No: 00					
<b>Portescap</b> 16N 78 1R 214E .1005    Scale: 3:1					
PI/R&D/F/18 Rev 00    Outline drawing    1.011.16.5040.S11    A3					
This drawing remains our property. Without written approval it may not be copied, reproduced, communicated or made available to third parties.    Sheet 1 of 1					
No.	Modifications	Communication	Drawn	Checked	Approved