



Chipsmall Limited consists of a professional team with an average of over 10 year of expertise in the distribution of electronic components. Based in Hongkong, we have already established firm and mutual-benefit business relationships with customers from,Europe,America and south Asia,supplying obsolete and hard-to-find components to meet their specific needs.

With the principle of “Quality Parts,Customers Priority,Honest Operation,and Considerate Service”,our business mainly focus on the distribution of electronic components. Line cards we deal with include Microchip,ALPS,ROHM,Xilinx,Pulse,ON,Everlight and Freescale. Main products comprise IC,Modules,Potentiometer,IC Socket,Relay,Connector.Our parts cover such applications as commercial,industrial, and automotives areas.

We are looking forward to setting up business relationship with you and hope to provide you with the best service and solution. Let us make a better world for our industry!



## Contact us

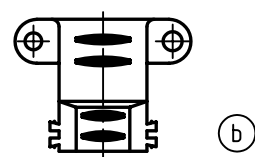
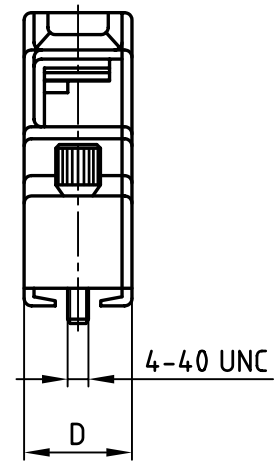
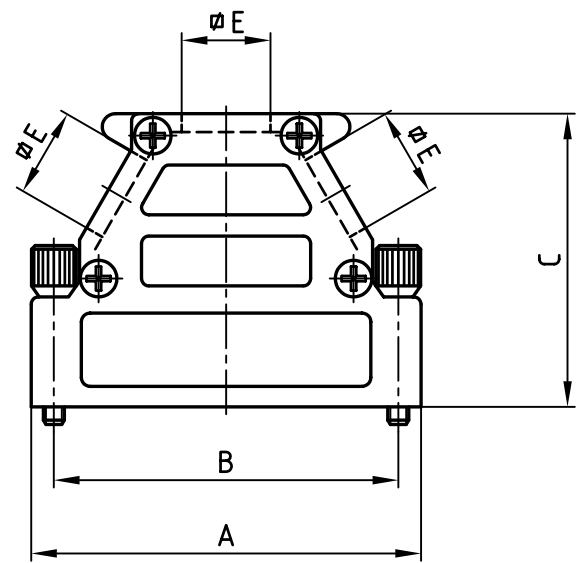
Tel: +86-755-8981 8866 Fax: +86-755-8427 6832

Email & Skype: info@chipsmall.com Web: www.chipsmall.com

Address: A1208, Overseas Decoration Building, #122 Zhenhua RD., Futian, Shenzhen, China



used for: D-SUB



Cable clamp has to be ordered separatly.  
Part-no. 16N61032

**Delivery includes:**  
Hood with covers  
1 or 2 blanking plugs  
4 screws for fixing  
1 earth screw  
2 jack screws

Directive 2002/95/EC  
RoHS  
Compliant

POS.	A	B	C	D	ØE	Part-NO.
9	31.0	25.0	35.5	14.8	12.1	16N61001
15	39.3	33.3	35.5	14.8	12.1	
25	53.2	47.0	40.0	14.8	12.1	16N61002
37	69.5	63.5	40.0	14.8	12.1	
50	67.0	61.1	42.0	17.8	14.6	

APPROVAL # FREIGABE # DEBLOCAGE # AUTORIZACION # APPROVAL

CUSTOMER APPROVAL DATE:

NAME: TITLE:

COMPANY NAME:

APPROVAL # FREIGABE # DEBLOCAGE # AUTORIZACION # APPROVAL

THIS DRAWING MAY NOT BE COPIED OR REPRODUCED IN ANY WAY, AND MAY NOT BE PASSED ON TO A THIRD PARTY WITHOUT WRITTEN PERMISSION.  
OWNERSHIP AND COPYRIGHT OF CONEC GmbH  
DO NOT ALTER CAD DRAWING BY HAND

tolerance		dim. in mm	
2005	date	name	
drawn	09.06.	Lehmenkühler	
appd.	09.06.	Mickenbecker	
norm			
d-old			
1 x b	Ä 2459	13.03.06	HS
rev.	description	date	name



scale:	1:1	
material:	DIE-CAST ZINC	
title:	METAL HOOD EMI/RFI shielding 9-50pos. with jack screws	
dwg no:	AutoCAD 2004	DIN-A
	16K1A1417	4
part no:	SEE TABLE	
		sh: 1/1