



Chipsmall Limited consists of a professional team with an average of over 10 year of expertise in the distribution of electronic components. Based in Hongkong, we have already established firm and mutual-benefit business relationships with customers from,Europe,America and south Asia,supplying obsolete and hard-to-find components to meet their specific needs.

With the principle of “Quality Parts,Customers Priority,Honest Operation,and Considerate Service”,our business mainly focus on the distribution of electronic components. Line cards we deal with include Microchip,ALPS,ROHM,Xilinx,Pulse,ON,Everlight and Freescale. Main products comprise IC,Modules,Potentiometer,IC Socket,Relay,Connector.Our parts cover such applications as commercial,industrial, and automotives areas.

We are looking forward to setting up business relationship with you and hope to provide you with the best service and solution. Let us make a better world for our industry!



Contact us

Tel: +86-755-8981 8866 Fax: +86-755-8427 6832

Email & Skype: info@chipsmall.com Web: www.chipsmall.com

Address: A1208, Overseas Decoration Building, #122 Zhenhua RD., Futian, Shenzhen, China



◆CHIP TYPE PART NUMBER

□□□		□□□□		□□□□□		□	□□□	D×L	
Rated Voltage		Series		Capacitance		Capacitance Tolerance	Option ※1	Case Size	
↑		↑		↑		↑	↑	↑	
Rated Voltage(Vdc)	Code	Cap.(μF)	Code	Tolerance	Code				
6.3	6.3	4.7	4R7	±20%	M	4×6.1 8×10.5 16×21.5			
10	10	220	220						
25	25	3300	3300						
100	100								
Please indicate the above information, when ordering.									
Example									
35		TZV		330		M		10×10.5	

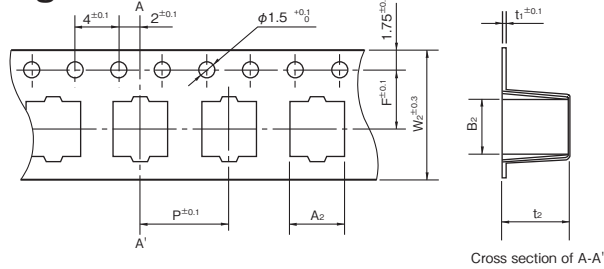
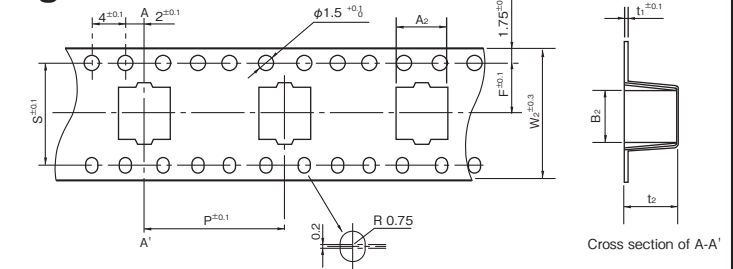
※1 Option : Standard item is blank.

◆RADIAL LEAD TYPE PART NUMBER

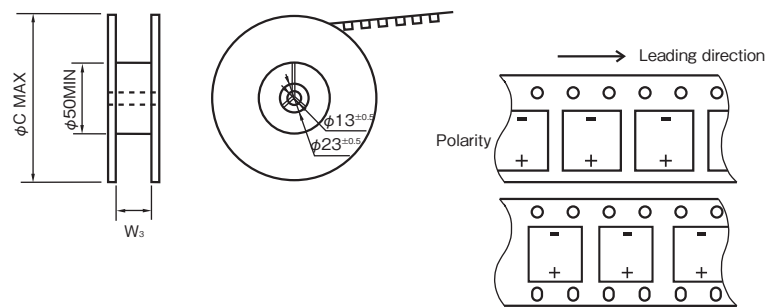
□□□		□□□□		□□□□□		□	□□□	□□	D×L	
Rated Voltage		Series		Capacitance		Capacitance Tolerance	Option ※2	Lead Forming ※3	Case Size	
↑		↑		↑		↑	↑	↑	↑	
Rated Voltage(Vdc)	Code	Cap.(μF)	Code	Tolerance	Code	EFC etc	TA, KC, CA etc			
6.3	6.3	0.1	OR1	±20%	M			5×11 10×12.5 12.5×40		
10	10	0.47	OR47							
25	25	1	1							
100	100	10	10							
		1000	1000							
Please indicate the above information, when ordering.										
Example										
*Long lead type		50	PX	2R2	M	EFC			5×11	
*Taping type		35	ZLJ	220	M		TA	8×16		

※2 Option : Please confirm each series page.

※3 Lead Forming : Please refer to TAPING SPECIFICATIONS and LEAD CUTTING FORMING SPECIFICATIONS. (P46~48)

Chip type capacitors
◆ TAPING DIMENSIONS
Fig. 1

Fig. 2


Size	W ₂ (mm)	A ₂ (mm)	B ₂ (mm)	P (mm)	t ₂ (mm)	F (mm)	t ₁ (mm)	S (mm)	Applicable
φ4×6.1	12.0	4.7	4.7	8	6.2	5.5	0.4	—	Fig.1
φ5×6.1	12.0	5.7	5.7	12	6.2	5.5	0.4	—	
φ6.3×6.1	16.0	7.0	7.0	12	6.2	7.5	0.4	—	
φ6.3×8	16.0	7.0	7.0	12	8.2	7.5	0.4	—	
φ8×6.5	16.0	8.7	8.7	12	6.8	7.5	0.4	—	
φ8×10.5	24.0	8.7	8.7	16	11.0	11.5	0.4	—	
φ12.5×13.5	32.0	13.4	13.4	24	14.4	14.2	0.5	28.4	Fig.2
φ12.5×16	32.0	13.4	13.4	24	16.3	14.2	0.5	28.4	
φ16×16.5	44.0	17.5	17.5	28	17.4	20.2	0.5	40.4	
φ16×21.5	44.0	17.5	17.5	28	22.4	20.2	0.5	40.4	
φ18×16.5	44.0	19.5	19.5	32	17.4	20.2	0.5	40.4	
φ18×21.5	44.0	19.5	19.5	32	22.4	20.2	0.5	40.4	

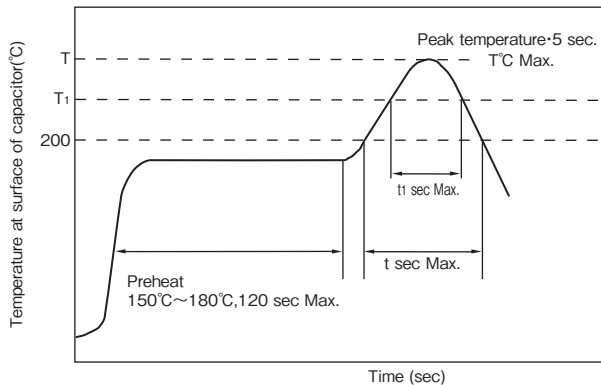
◆ TAPING REEL AND PACKING QUANTITY


Size (mm)	W ₃ (mm)	φC (mm)	Q'ty (pcs/reel)	Standard Shipping Carton Quantity (pcs/Box)
φ4×6.1	14	382	2,000	10,000
φ5×6.1	14	382	1,000	5,000
φ6.3×6.1	18	382	1,000	5,000
φ6.3×8	18	382	900	4,500
φ8×6.5	18	382	1,000	5,000
φ8×10.5	26	382	500	2,000
φ10×10.5	26	382	500	2,000
φ12.5×13.5	34	332	200	600
φ12.5×16	34	332	150	450
φ16×16.5, φ18×16.5	46	332	125	250
φ16×21.5, φ18×21.5	46	332	75	150

Reusable reels are available according to your request.
Please consult in regard to establishing supply and withdrawal system.

◆ LEAD FREE TYPE REFLOW SOLDERING CONDITION
● Size $\phi 4 \sim \phi 10$

- 1) Temperature at surface of capacitor shall not exceed $T^{\circ}\text{C}$.
- 2) Period that temperature at surface of capacitor becomes more than 200°C and $T_1^{\circ}\text{C}$ shall not exceed t and t_1 seconds, respectively.
- 3) Preheat shall be made at $150^{\circ}\text{C} \sim 180^{\circ}\text{C}$ and for maximum 120 seconds.



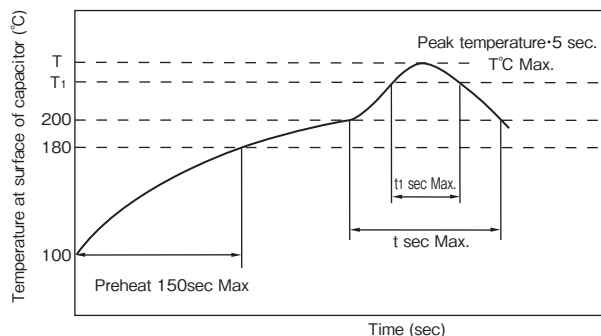
Series	Size	Rated Voltage	$T(^{\circ}\text{C})$ ①	$T_1(^{\circ}\text{C})$	$t(\text{sec})$ ②	$t_1(\text{sec})$ ③	Reflow Cycle
SEV SKV SGV	$\phi 4 \sim \phi 6.3$	$\leq 50\text{Vdc}$	250	230	70	30	2
TZV TKV TPV	$\phi 8$	$\leq 100\text{Vdc}$	245	230	70	30	2
TLV TRV TXV	$\phi 10$		240	230	60	30	2
THV TGV	$\phi 8, 10$	$\geq 160\text{Vdc}$	240	230	50	20	2
SJV SLV	$\phi 4 \sim \phi 6.3$	$\leq 50\text{Vdc}$	240	220	60	40	1
JGV	$\phi 4 \sim \phi 6.3$	$\leq 50\text{Vdc}$	260	217	—	60	2
JZV	$\phi 8, \phi 10$		250	217	—	60	2

- ① Peak temperature
 ② Time more than 200°C (MAX)
 ③ Time more than T_1 (MAX)

※ Please contact us if the condition is over the maximum.

● Size $\phi 12.5 \sim \phi 18$

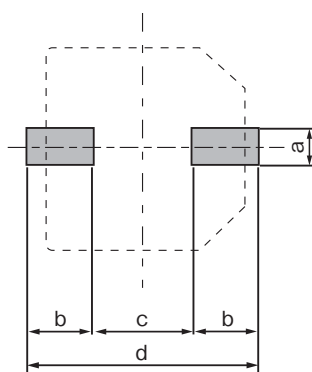
- 1) Temperature at surface of capacitor shall not exceed $T^{\circ}\text{C}$.
- 2) Period that temperature at surface of capacitor becomes more than 200°C and $T_1^{\circ}\text{C}$ shall not exceed t and t_1 seconds, respectively.
- 3) Preheat shall be made at $100^{\circ}\text{C} \sim 180^{\circ}\text{C}$ and for maximum 150 seconds.



Series	Size	Rated Voltage	$T(^{\circ}\text{C})$ ①	$T_1(^{\circ}\text{C})$	$t(\text{sec})$ ②	$t_1(\text{sec})$ ③	Reflow cycle
SEV SKV SGV	$\phi 12.5 \sim \phi 18$	$\leq 50\text{Vdc}$	240	230	60	30	2
TLV TRV TGV		63Vdc	240	230	50	20	2
		100Vdc	240	230	50	20	2
		$\geq 160\text{Vdc}$	230	220	50	20	2

- ① Peak temperature
 ② Time more than 200°C (MAX)
 ③ Time more than T_1 (MAX)

※ Please contact us if the condition is over the maximum.

◆ RECOMMENDED LAND SIZE


Size	a	b	c	d
$\phi 4$	1.6	2.6	1.0	6.2
$\phi 5$	1.6	3.0	1.4	7.4
$\phi 6.3$	1.6	3.5	2.1	9.1
$\phi 8 \times 6.5$	1.6	4.5	2.1	11.1
$\phi 8 \times 10.5$	2.2	4.1	3.0	11.2
$\phi 10 \times 10.5$	2.2	4.3	4.5	13.1
$\phi 12.5$	2.5	6.0	5.0	17
$\phi 16$	3	6.5	8.0	21
$\phi 18$	3	7.5	8.0	23

◆Vibration proof packages with the supporting terminal

- For chip Aluminum electrolytic capacitors more than case size $\phi 8$, vibration proof packages supports.

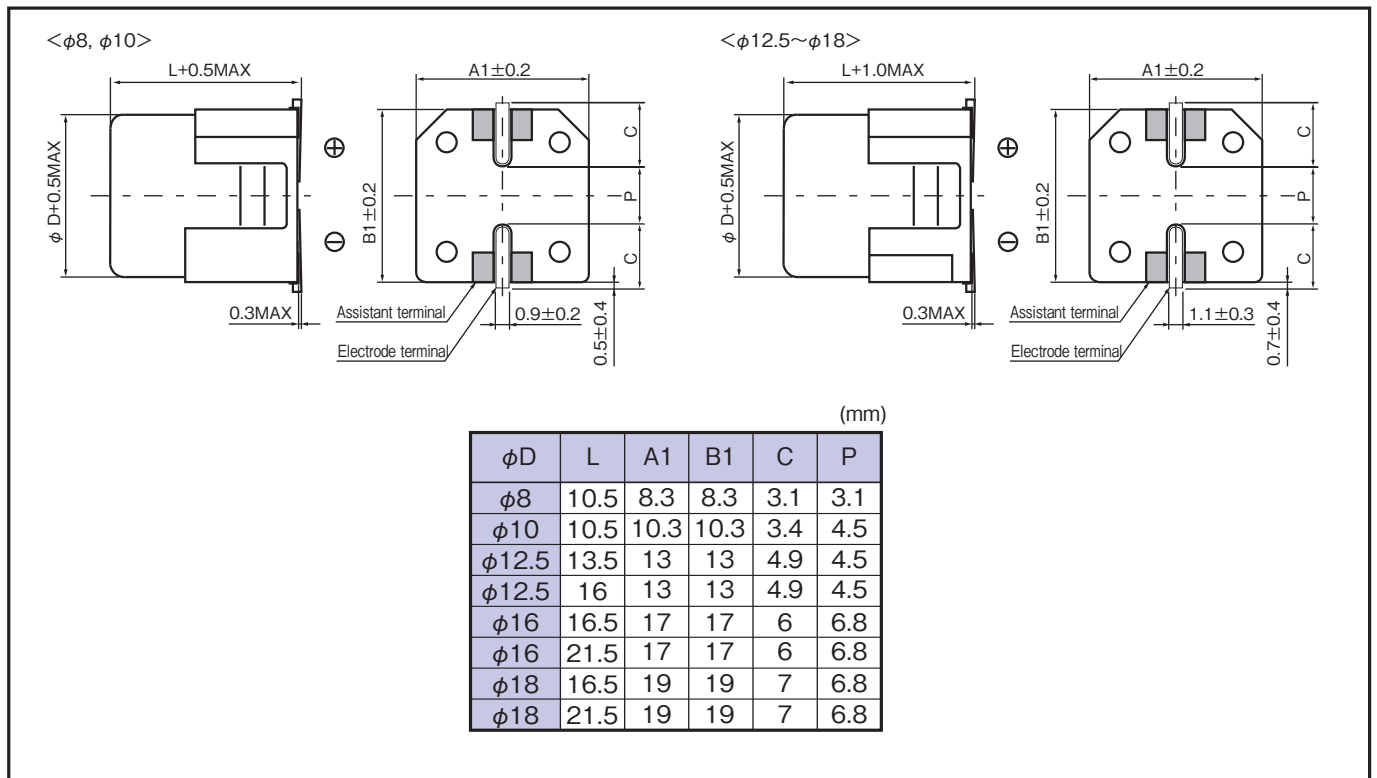


◆PART NUMBER

□□□ /
 □□□ /
 □□□□□ /
 □ /
 □□□ /
 VB /
 DXL

Rated Voltage / Series / Capacitance / Capacitance Tolerance / Option / Vibration proof package No. / Case Size

◆DIMENSIONS



◆RECOMMENDED LAND SIZE

