



Chipsmall Limited consists of a professional team with an average of over 10 year of expertise in the distribution of electronic components. Based in Hongkong, we have already established firm and mutual-benefit business relationships with customers from,Europe,America and south Asia,supplying obsolete and hard-to-find components to meet their specific needs.

With the principle of “Quality Parts,Customers Priority,Honest Operation,and Considerate Service”,our business mainly focus on the distribution of electronic components. Line cards we deal with include Microchip,ALPS,ROHM,Xilinx,Pulse,ON,Everlight and Freescale. Main products comprise IC,Modules,Potentiometer,IC Socket,Relay,Connector.Our parts cover such applications as commercial,industrial, and automotives areas.

We are looking forward to setting up business relationship with you and hope to provide you with the best service and solution. Let us make a better world for our industry!



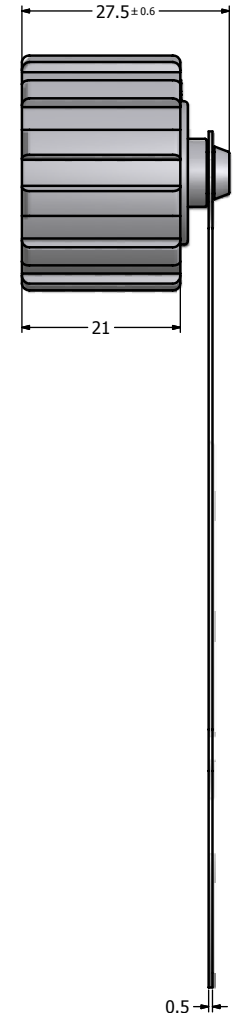
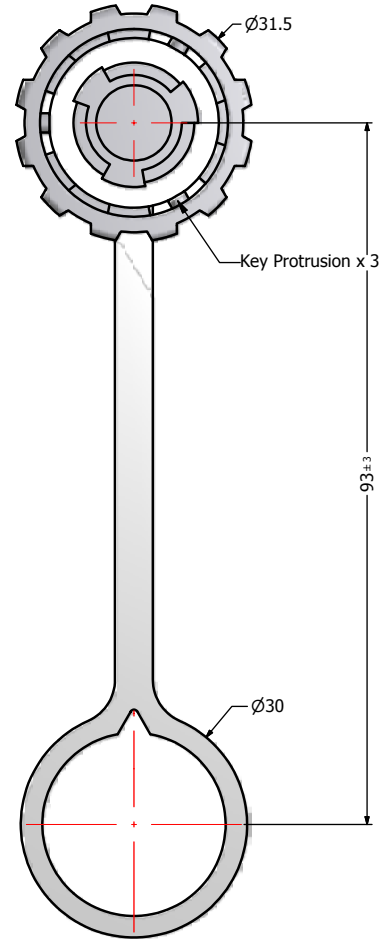
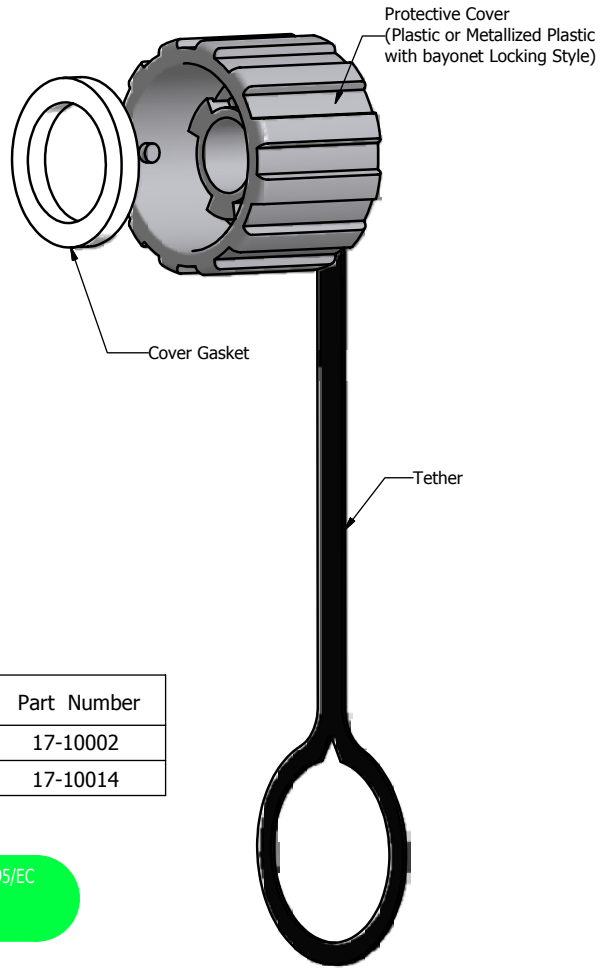
Contact us

Tel: +86-755-8981 8866 Fax: +86-755-8427 6832

Email & Skype: info@chipsmall.com Web: www.chipsmall.com

Address: A1208, Overseas Decoration Building, #122 Zhenhua RD., Futian, Shenzhen, China





Version	Part Number
Plastic Version	17-10002
Metallized Plastic Version	17-10014

Directive 2002/95/EC
"RoHS"
Compliant

Notes:

- Material and Finish:
 - Cover Coupling Ring: Polyester (Black) or Metallized ABS (Nickel Plated); UL94 V-0
 - Cover Gasket: Silicone, Color: White
 - Tether: Polycarbonate, Color: Black
- Operating Temperature: -40°C to +85°C
- RoHS compliant

THIS DRAWING MAY NOT BE COPIED, OR REPRODUCED IN ANY WAY AND MAY NOT BE PASSED ON TO A THIRD PARTY WITHOUT WRITTEN PERMISSION. OWNERSHIP AND COPYRIGHT OF CONEC CORPORATION DOT NOT ALTER CAD DRAWING BY HAND	Customer:			Tolerance Unless otherwise specified			Scale: 1.5:1	Dim. in mm	
	Name	Title	Approval Date	0 PLC ±0.50	1 PLC ±0.38		Autodesk Inventor	Material: See Notes	
				2 PLC ±0.25	3 PLC ±0.10	Draw. Oct 24 Vincent Ke Appd. Oct 24 J. Chaudry		Title: Protective Cover Assembly Kit Industrial Ethernet Connector (IP67) RoHS compliant	
	d	Apr/01/10	Vincent Ke	Norm				Drawing No.: 39K1A205	DIN A3
	c	May/25/09	Vincent ke	D-old				Part No.: SEE P/N ABOVE	Sheet 1/1
b	Mar/08/07	Vincent Ke							
a	origin								
Rev.	Changes	Date	Name						