



Chipsmall Limited consists of a professional team with an average of over 10 year of expertise in the distribution of electronic components. Based in Hongkong, we have already established firm and mutual-benefit business relationships with customers from,Europe,America and south Asia,supplying obsolete and hard-to-find components to meet their specific needs.

With the principle of "Quality Parts,Customers Priority,Honest Operation,and Considerate Service",our business mainly focus on the distribution of electronic components. Line cards we deal with include Microchip,ALPS,ROHM,Xilinx,Pulse,ON,Everlight and Freescale. Main products comprise IC,Modules,Potentiometer,IC Socket,Relay,Connector.Our parts cover such applications as commercial,industrial, and automotives areas.

We are looking forward to setting up business relationship with you and hope to provide you with the best service and solution. Let us make a better world for our industry!



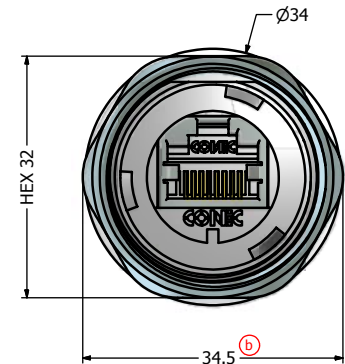
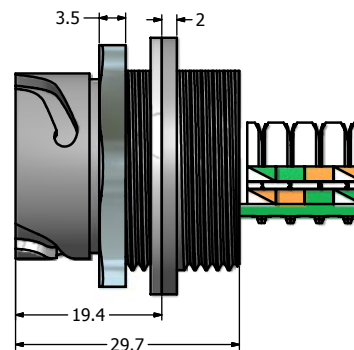
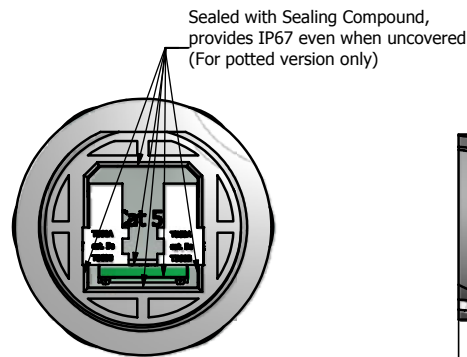
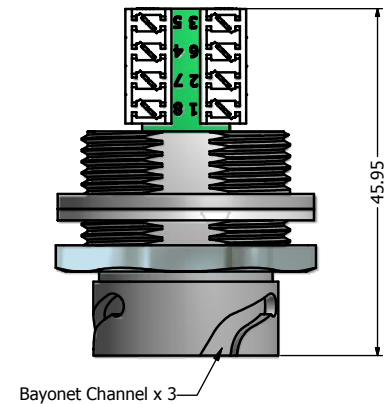
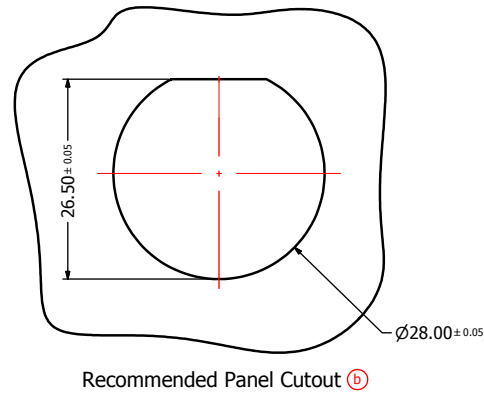
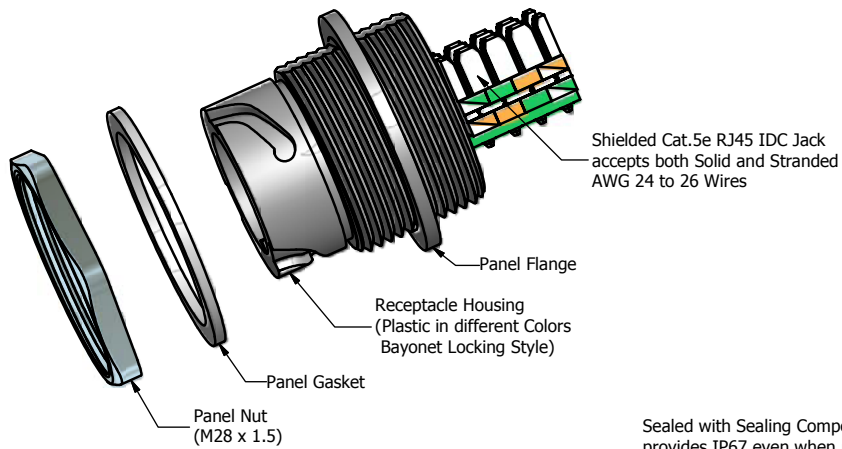
Contact us

Tel: +86-755-8981 8866 Fax: +86-755-8427 6832

Email & Skype: info@chipsmall.com Web: www.chipsmall.com

Address: A1208, Overseas Decoration Building, #122 Zhenhua RD., Futian, Shenzhen, China





Notes:

- Electrical Specifications:
 - Meets EIA/TIA-568-B.2 Cat.5e Specification
 - Contact Resistance: 20mOhm max.
 - Insulation Resistance: 500MOhm min. @ 100 VDC
 - Current Rating: 1.2A max. at 25° C
 - Working Voltage: 100 VDC
 - DWV: 1000 VDC/60s Contact to Contact, 1500 VDC/60s Contact to Metal Shell
 - Operating Temperature: -40° C to +85° C
- Material and Finish:
 - Receptacle Housing: Polyester (Color: see Part Number Table); UL94 V-0
 - Panel Nut: Brass, Finish: Nickel Plated
 - Panel Gasket: Silicon, Color: White
 - Cat.5e RJ45 IDC Jack Metal Shell: Copper Alloy, Nickel Plated
 - Cat.5e RJ45 IDC Jack Plastic Housing: Glass filled PBT UL94 V-0, Color: Black
 - Cat.5e RJ45 IDC Jack Contacts: Phosphor Bronze, Finish: 50u" Gold min. over Nickel
- Connector can be front or rear mounted to a maximum panel thickness of 3.2mm.
- IP67 rated when covered or fully mated with the appropriate mating connector
- RoHS compliant

Directive 2002/95/EC RoHS Compliant

Description	Potted Colored Plastic Receptacle Housing with Shielded Cat.5e RJ45 IDC Jack					
Plastic Receptacle Housing Color	Black	Blue	Green	Yellow	Red	White
Part Number	17-10033 ^(c)	17-102424	17-102434	17-102444	17-102454	17-102464

THIS DRAWING MAY NOT BE COPIED, OR REPRODUCED IN ANY WAY AND MAY NOT BE PASSED ON TO A THIRD PARTY WITHOUT WRITTEN PERMISSION. OWNERSHIP AND COPYRIGHT OF CONEC CORPORATION. DO NOT ALTER CAD DRAWING BY HAND	Customer:		Tolerance Unless otherwise specified			Scale: 1.5:1	Dim. in mm	
	Name	Title	Approval Date			Autodesk Inventor	Material: See Notes	
				2011	Date	Name	Title:	
				Draw.	Jan. 28	Vincent Ke	Potted Receptacle Assembly Kit	
			Appd.	Jan. 28	J. Chaudry	Colored Plastic Receptacle Housing		
				Norm		with Shielded Cat. 5e RJ45 IDC Jack		
	c	Apr/01/2011	Vincent ke		D-old	Drawing No.: 17K1A187		
	b	Mar/08/2011	Vincent ke			Part No.: SEE PART NUMBER TABLE		
	a	original				DIN A3		
	Rev.	Changes	Date	Name			Sheet 1/1	