



Chipsmall Limited consists of a professional team with an average of over 10 year of expertise in the distribution of electronic components. Based in Hongkong, we have already established firm and mutual-benefit business relationships with customers from,Europe,America and south Asia,supplying obsolete and hard-to-find components to meet their specific needs.

With the principle of "Quality Parts,Customers Priority,Honest Operation,and Considerate Service",our business mainly focus on the distribution of electronic components. Line cards we deal with include Microchip,ALPS,ROHM,Xilinx,Pulse,ON,Everlight and Freescale. Main products comprise IC,Modules,Potentiometer,IC Socket,Relay,Connector.Our parts cover such applications as commercial,industrial, and automotives areas.

We are looking forward to setting up business relationship with you and hope to provide you with the best service and solution. Let us make a better world for our industry!



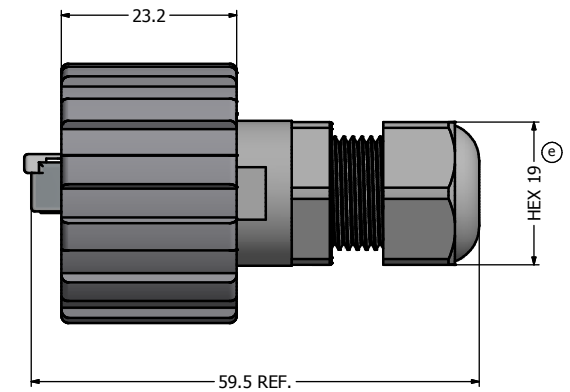
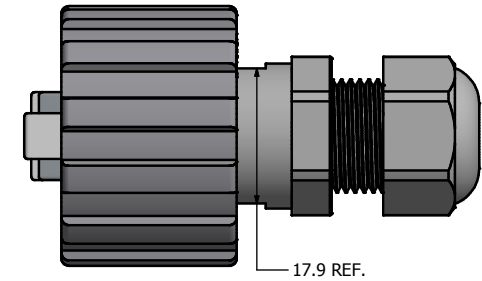
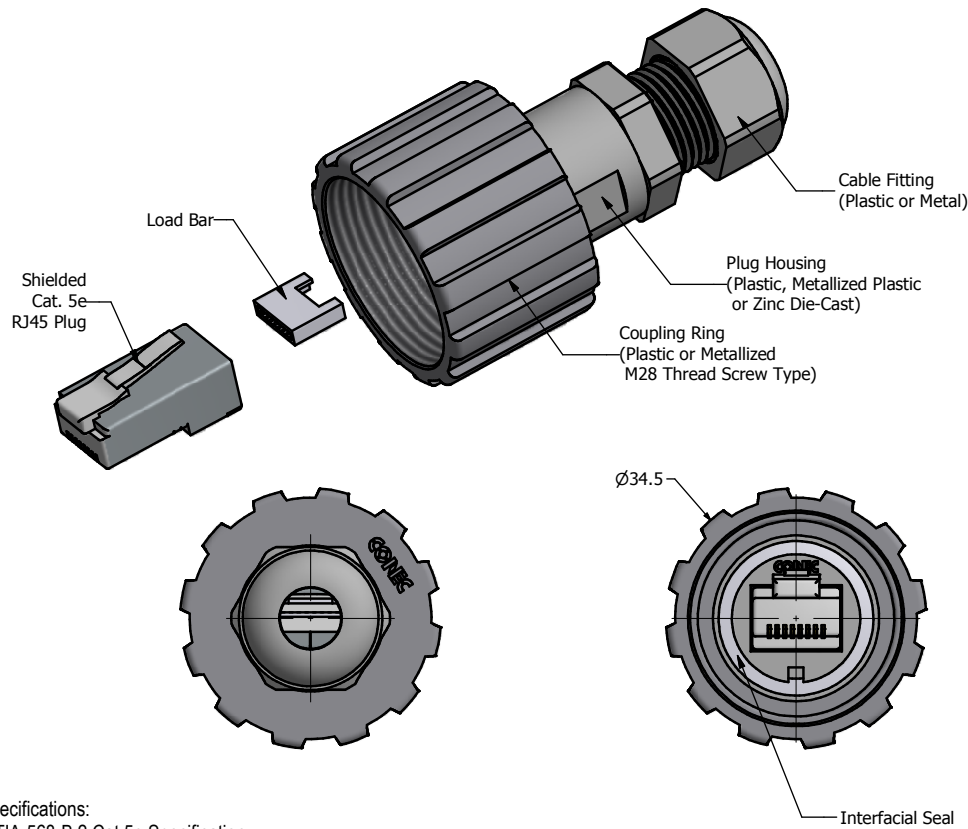
Contact us

Tel: +86-755-8981 8866 Fax: +86-755-8427 6832

Email & Skype: info@chipsmall.com Web: www.chipsmall.com

Address: A1208, Overseas Decoration Building, #122 Zhenhua RD., Futian, Shenzhen, China





Notes:

1. Electrical Specifications:
 - Meets EIA/TIA-568-B.2 Cat.5e Specification
 - Contact Resistance: 20mOhm max.
 - Insulation Resistance: 500MOhm min. @ 100 VDC
 - Current Rating: 1.2A max. at 25° C
 - Working Voltage: 100 VDC
 - DWV: 1000 VDC/60s Contact to Contact, 1500 VDC/60s Contact to Metal Shell
 - Operating Temperature: -40° C to +85° C
2. Material and Finish:
 - Thread Coupling Ring and Housing: Polyester (Black) or Metallized ABS, UL94 V-0 (Nickel Plated)
 - Cable Fitting: PA (Black), UL94 V-0 or Brass, Nickel Plated
 - Cable Fitting Rubber Ring: NBR, Color: Black
 - Interfacial Seal: Silicon, Color: Black
 - RJ45 Plug Metal Shell: Copper Alloy, Nickel Plated
 - Ⓢ - RJ45 Plug Plastic Housing: Clear Polycarbonate UL94 V-2
 - RJ45 Plug Contacts: Phosphor Bronze, Finish: 50u" Gold min. over Nickel
3. RJ45 Plug accepts both Stranded and Solid Cables with Outer Diameter of 4.83mm to 6.73mm
4. Plastic Version Cable Fitting accepts Cable Outer Diameter Range of 4mm to 8mm
5. Metal Version Cable Gland accepts Cable Outer Diameter Range of 4.5mm to 8mm

Directive 2002/95/EC RoHS Compliant

Ⓢ	Ⓢ	Description	Part Number
		Plastic Version with Interfacial Seal	17-100464
		Plastic Version without Interfacial Seal	17-120004
		Metallized Plastic Version with Interfacial Seal	17-100474
		Metallized Plastic Version without Interfacial Seal	17-120014

THIS DRAWING MAY NOT BE COPIED OR REPRODUCED IN ANY MANNER AND MAY NOT BE PASSED ON TO A THIRD PARTY WITHOUT WRITTEN PERMISSION. OWNERSHIP AND COPYRIGHT OF CONEC CORPORATION.	Customer:			Tolerance Unless otherwise specified			Scale: 1.5:1	Dim. in mm	
	Name	Title	Approval Date	0 PLC ±0.50	1 PLC ±0.38		Draw. Dec. 03 Vincent Ke Appd. Dec. 03 J. Chaudry	Material: See Notes	
	e	2 x e	Jun/23/2014	Vincent Ke	2 PLC ±0.25	3 PLC ±0.10		Title: RJ45 Cable Strain Relief Kit with shielded Cat. 5e RJ45 Plug with or without Interfacial Seal	
	d	1 x d	Jul/20/2012	Vincent ke	ANGLES ±3°		2007		
c	1 x c	Jul/06/2011	Vincent ke			Norm			
b		May/25/2009	Vincent Ke			D-old			
a	original								
Rev.	Changes	Date	Name						



Drawing No.: 39K1A365

Part No.: SEE P/N ABOVE

DIN A3
Sheet 1/1