



Chipsmall Limited consists of a professional team with an average of over 10 year of expertise in the distribution of electronic components. Based in Hongkong, we have already established firm and mutual-benefit business relationships with customers from,Europe,America and south Asia,supplying obsolete and hard-to-find components to meet their specific needs.

With the principle of "Quality Parts,Customers Priority,Honest Operation,and Considerate Service",our business mainly focus on the distribution of electronic components. Line cards we deal with include Microchip,ALPS,ROHM,Xilinx,Pulse,ON,Everlight and Freescale. Main products comprise IC,Modules,Potentiometer,IC Socket,Relay,Connector.Our parts cover such applications as commercial,industrial, and automotives areas.

We are looking forward to setting up business relationship with you and hope to provide you with the best service and solution. Let us make a better world for our industry!



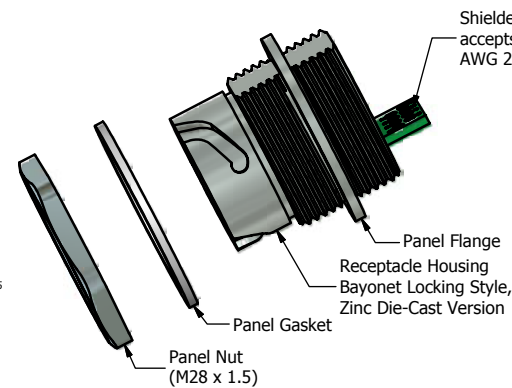
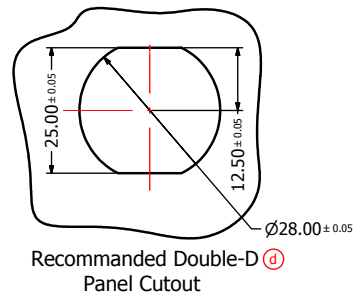
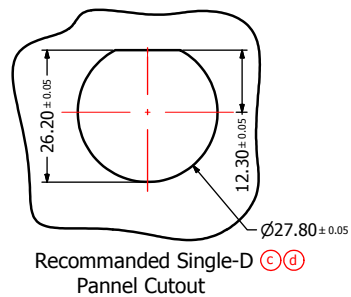
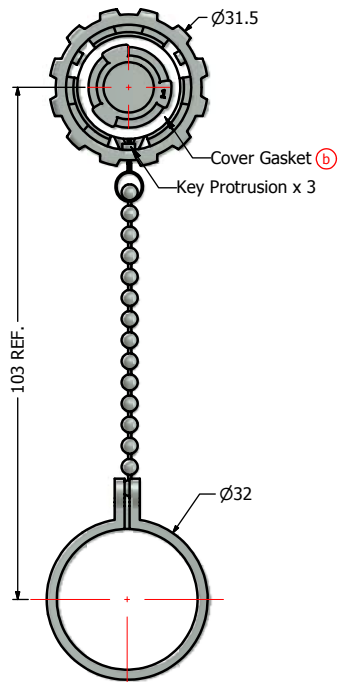
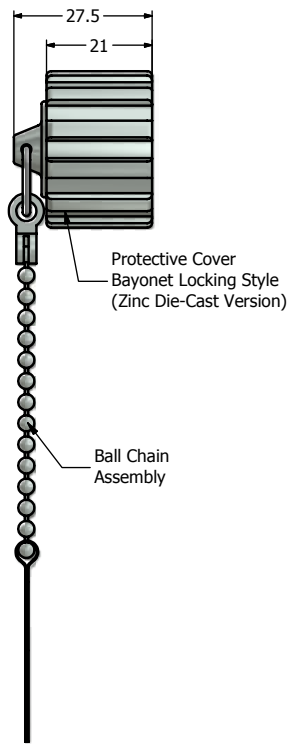
Contact us

Tel: +86-755-8981 8866 Fax: +86-755-8427 6832

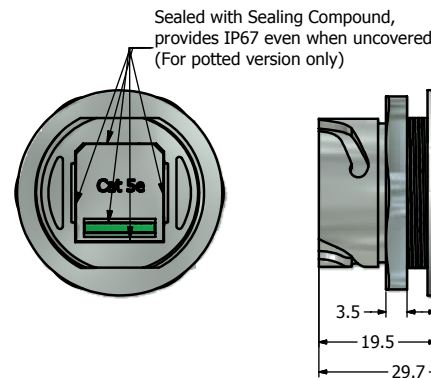
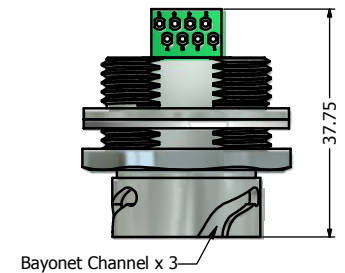
Email & Skype: info@chipsmall.com Web: www.chipsmall.com

Address: A1208, Overseas Decoration Building, #122 Zhenhua RD., Futian, Shenzhen, China

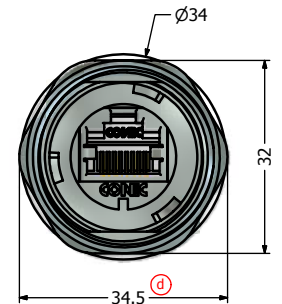




Shielded Cat. 5e RJ45 PCB Jack accepts both Solid and Stranded AWG 24 to 26 Wires



Sealed with Sealing Compound, provides IP67 even when uncovered (For potted version only)



Notes:

- Electrical Specifications:
 - Meets EIA/TIA-568-B.2 Cat.5e Specification
 - Contact Resistance: 20mOhm max.
 - Insulation Resistance: 500MOhm min. @ 100 VDC
 - Current Rating: 1.2A max. at 25° C
 - Working Voltage: 100 VDC
 - DWV: 1000 VDC/60s Contact to Contact, 1500 VDC/60s Contact to Metal Shell
 - Operating Temperature: -40° C to +85° C
- Material and Finish:
 - Receptacle Housing & Protective Cover: Zinc Die-cast, Nickel Plated
 - Ball Chain Assembly: Copper Alloy and Stainless Steel, Nickel Plated
 - Panel Nut: Brass, Finish: Nickel Plated
 - Panel Gasket: Silicon, Color: White
 - Cover gasket: Silicon, Color: White
 - RJ45 PCB Jack Metal Shell: Copper Alloy, Nickel Plated
 - RJ45 PCB Jack Plastic Housing: Glass filled PBT UL94 V-0, Color: Black
 - RJ45 PCB Jack Contacts: Phosphor Bronze, Finish: 50u" Gold min. over Nickel
- Connector can be front or rear mounted to a maximum panel thickness of 3.2mm.
- IP67 rated when fully mated with the appropriate connector
- RoHS compliant

Directive 2002/95/EC RoHS Compliant

(b) (d)	Description	Part Number
	Nickel Plated Zinc Die-Cast with Shielded Cat5e PCB Jack & Protective Cover	17-101844
	Potted Nickel Plated Zinc Die-Cast with Shielded Cat5e PCB Jack & Protective Cover	17-102204

THIS DRAWING MAY NOT BE COPIED, OR REPRODUCED IN ANY WAY AND MAY NOT BE PASSED ON TO A THIRD PARTY WITHOUT WRITTEN PERMISSION. OWNERSHIP AND COPYRIGHT OF CONEC CORPORATION. DO NOT ALTER CAD DRAWING BY HAND	Customer:		Tolerance Unless otherwise specified			Scale: 1.5:1	Dim. in mm
	Name	Title	Approval Date	0 PLC ±0.50		1 PLC ±0.38	Material: See Notes Receptacle Assembly Kit & Cover with Cat. 5e RJ45 PCB Jack Nickel Plated Zinc Die-Cast Version
				2 PLC ±0.25	3 PLC ±0.10	File: 17K1A151 Drawing No.: 17K1A151	
				2010	Date	Name	Part No.: SEE TABLE ABOVE
				Draw.	May 20	Vincent Ke	DIN A3
				Appd.	May 20	J. Chaudry	Sheet 1/1
	d	4 x d	Mar/02/2011	Vincent ke	Norm		
	c	1 x c	Jan/28/2011	Vincent ke	D-old		
	b	2 x b	Jan/25/2011	Vincent ke			
	a	original					
	Rev.	Changes	Date	Name			

