



Chipsmall Limited consists of a professional team with an average of over 10 year of expertise in the distribution of electronic components. Based in Hongkong, we have already established firm and mutual-benefit business relationships with customers from,Europe,America and south Asia,supplying obsolete and hard-to-find components to meet their specific needs.

With the principle of "Quality Parts,Customers Priority,Honest Operation,and Considerate Service",our business mainly focus on the distribution of electronic components. Line cards we deal with include Microchip,ALPS,ROHM,Xilinx,Pulse,ON,Everlight and Freescale. Main products comprise IC,Modules,Potentiometer,IC Socket,Relay,Connector.Our parts cover such applications as commercial,industrial, and automotives areas.

We are looking forward to setting up business relationship with you and hope to provide you with the best service and solution. Let us make a better world for our industry!



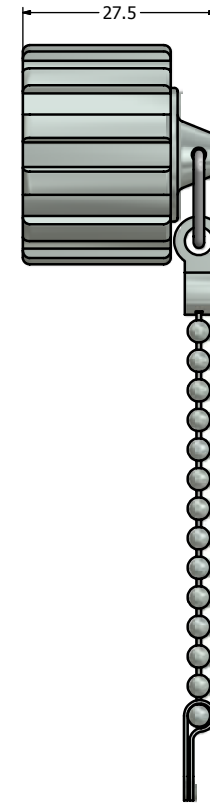
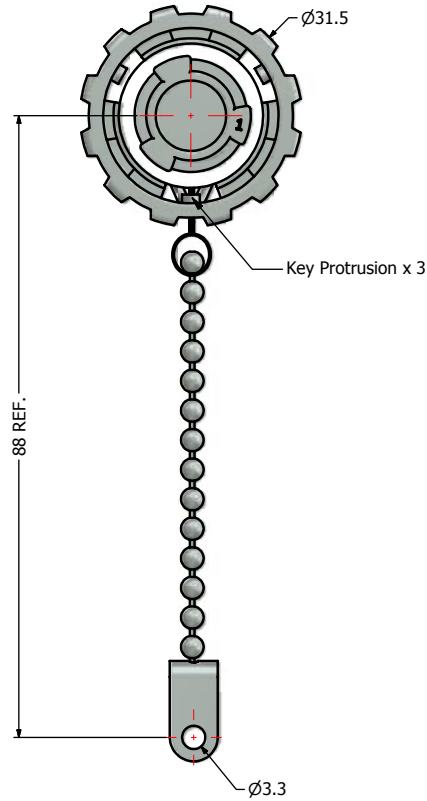
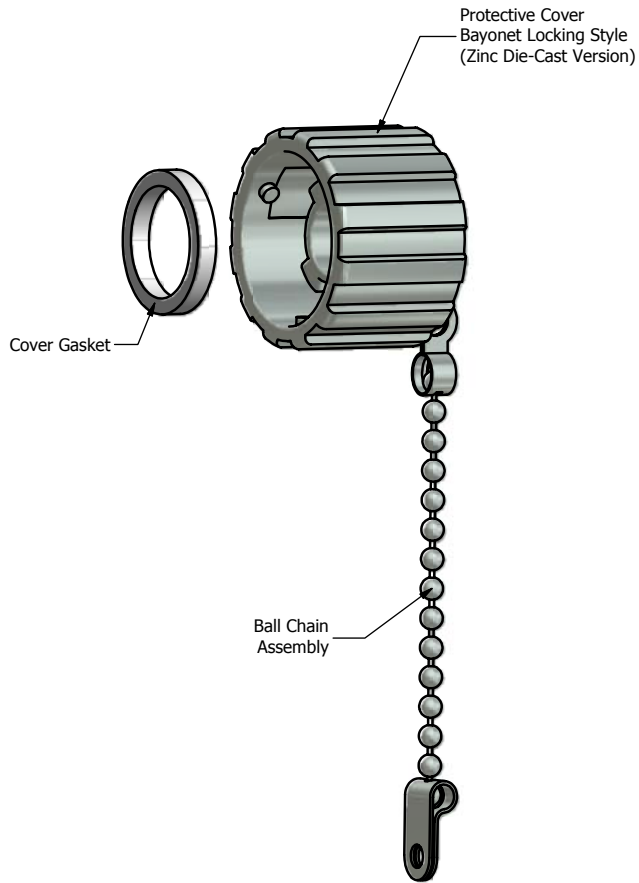
Contact us

Tel: +86-755-8981 8866 Fax: +86-755-8427 6832

Email & Skype: info@chipsmall.com Web: www.chipsmall.com

Address: A1208, Overseas Decoration Building, #122 Zhenhua RD., Futian, Shenzhen, China





Notes:

1. Material and Finish:
 - Protective Cover: Zinc Die-Cast, Finish: Nickel Plated
 - Cover Gasket: Silicon, Color: White
 - Ball Chain Assembly, Copper Alloy and Stainless steel, Nickel Plated
2. Operating Temperature: -40°C to +85°C
3. IP67 rated when fully mated with the appropriate connector
4. RoHS compliant

Directive 2002/95/EC RoHS Compliant

THIS DRAWING MAY NOT BE COPIED, OR REPRODUCED IN ANY WAY AND MAY NOT BE PASSED ON TO A THIRD PARTY WITHOUT WRITTEN PERMISSION. OWNERSHIP AND COPYRIGHT OF CONEC CORPORATION. DO NOT ALTER CAD DRAWING BY HAND	Customer:			Tolerance Unless otherwise specified		 Autodesk Inventor	Scale: NTS	Dim. in mm																																				
	<table border="1" style="width: 100%; border-collapse: collapse;"> <thead> <tr> <th style="width: 20%;">Name</th> <th style="width: 20%;">Title</th> <th style="width: 20%;">Approval Date</th> </tr> </thead> <tbody> <tr><td> </td><td> </td><td> </td></tr> <tr><td> </td><td> </td><td> </td></tr> <tr><td> </td><td> </td><td> </td></tr> <tr><td> </td><td> </td><td> </td></tr> <tr><td> </td><td> </td><td> </td></tr> <tr><td> </td><td> </td><td> </td></tr> <tr><td> </td><td> </td><td> </td></tr> <tr><td> </td><td> </td><td> </td></tr> <tr><td> </td><td> </td><td> </td></tr> </tbody> </table>	Name	Title	Approval Date																													<table border="1" style="width: 100%; border-collapse: collapse;"> <thead> <tr> <th style="width: 15%;">Date</th> <th style="width: 15%;">Name</th> </tr> </thead> <tbody> <tr> <td>Draw. Jul. 05</td> <td>Vincent Ke</td> </tr> <tr> <td>Appd. Jul. 05</td> <td>J. Chaudry</td> </tr> <tr> <td>Norm</td> <td> </td> </tr> <tr> <td>D-old</td> <td> </td> </tr> </tbody> </table>	Date	Name	Draw. Jul. 05	Vincent Ke	Appd. Jul. 05	J. Chaudry	Norm		D-old		Material: See Notes
	Name	Title	Approval Date																																									
Date	Name																																											
Draw. Jul. 05	Vincent Ke																																											
Appd. Jul. 05	J. Chaudry																																											
Norm																																												
D-old																																												
Protective Cover Assembly Kit with type D-ring metal ball chain Nickel Plated Zinc Die-Cast Version																																												
Drawing No.: 17K1A281							DIN A3																																					
Part No.: 17-103500							Sheet 1/1																																					
<table border="1" style="width: 100%; border-collapse: collapse;"> <thead> <tr> <th style="width: 10%;">Rev.</th> <th style="width: 10%;">Changes</th> <th style="width: 10%;">Date</th> <th style="width: 10%;">Name</th> </tr> </thead> <tbody> <tr> <td>a</td> <td>original</td> <td> </td> <td> </td> </tr> </tbody> </table>	Rev.	Changes	Date	Name	a	original																																						
Rev.	Changes	Date	Name																																									
a	original																																											