



Chipsmall Limited consists of a professional team with an average of over 10 year of expertise in the distribution of electronic components. Based in Hongkong, we have already established firm and mutual-benefit business relationships with customers from,Europe,America and south Asia,supplying obsolete and hard-to-find components to meet their specific needs.

With the principle of “Quality Parts,Customers Priority,Honest Operation,and Considerate Service”,our business mainly focus on the distribution of electronic components. Line cards we deal with include Microchip,ALPS,ROHM,Xilinx,Pulse,ON,Everlight and Freescale. Main products comprise IC,Modules,Potentiometer,IC Socket,Relay,Connector.Our parts cover such applications as commercial,industrial, and automotives areas.

We are looking forward to setting up business relationship with you and hope to provide you with the best service and solution. Let us make a better world for our industry!



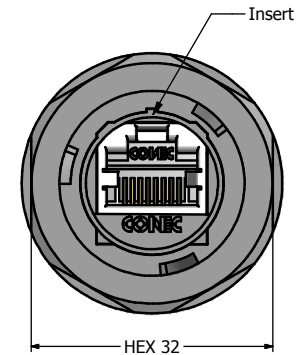
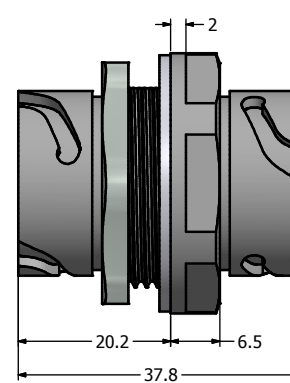
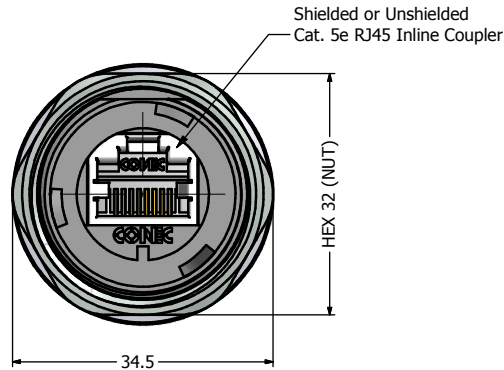
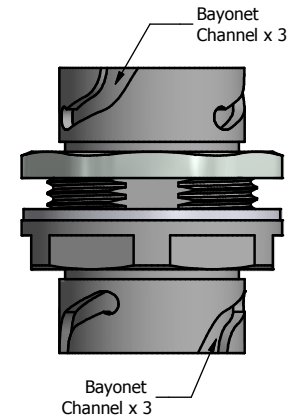
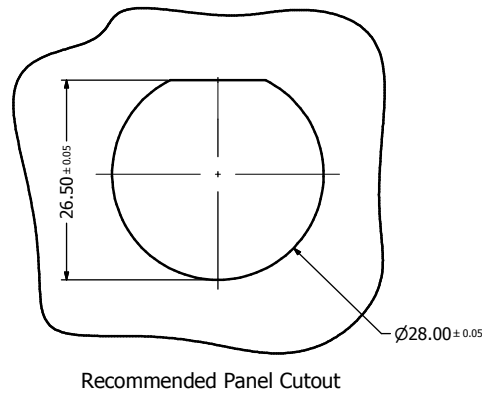
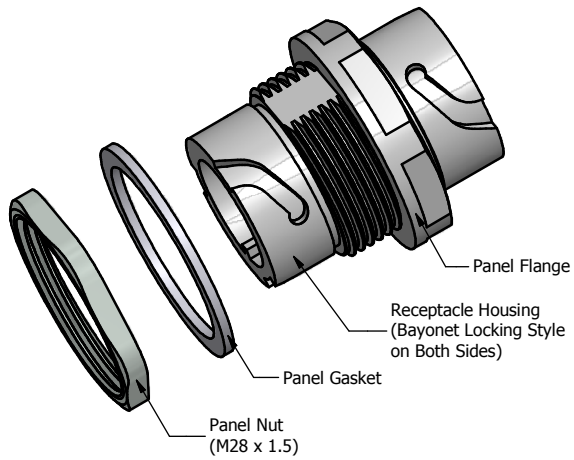
## Contact us

Tel: +86-755-8981 8866 Fax: +86-755-8427 6832

Email & Skype: info@chipsmall.com Web: www.chipsmall.com

Address: A1208, Overseas Decoration Building, #122 Zhenhua RD., Futian, Shenzhen, China





**Notes:**

- Electrical Specifications:
  - Meets EIA/TIA-568-B.2 Cat.5e Specification
  - Contact Resistance: 20 mOhm max.
  - Insulation Resistance: 500 MOhm min. @ 100 VDC
  - Current Rating: 1.2A max. at 25~C
  - Working Voltage: 100 VDC
  - DWV: 1000 VDC/60s Contact to Contact, 1500 VDC/60s Contact to Metal Shell
  - Operating Temperature: -40~C to +85~C
- Material and Finish:
  - Bayonet Receptacle Housing: Polyester, UL94 V-0; Black or ABS, Nickel Plated, UL94 V-0
  - Panel Nut: Brass, Finish: Nickel Plated
  - Panel Gasket: Silicon, Color: White
  - Cat.5e RJ45 Inline Coupler Metal Shell: Copper Alloy, Nickel Plated
  - Cat.5e RJ45 Inline Coupler Plastic Housing: Glass filled PBT UL94 V-0, Color: Black
  - Cat5e RJ45 Inline Coupler Contacts: Phosphor Bronze, Finish: 50u" Gold min. over Nickel
- Connector can be mounted to a maximum panel thickness of 3.2mm.
- IP67 rated when covered or fully mated with the appropriate mating connector

Directive 2002/95/EC RoHS Compliant

Cat. 5e RJ45 Inline Coupler	Plastic Version	Metallized Version
Shielded Version	17-111294	17-111314
Unshielded Version	17-111304	17-111324

THIS DRAWING MAY NOT BE COPIED OR REPRODUCED IN ANY MANNER AND MAY NOT BE PASSED ON TO A THIRD PARTY WITHOUT WRITTEN PERMISSION. OWNERSHIP AND COPYRIGHT OF CONECC CORPORATION <b>DO NOT ALTER CAD DRAWING BY HAND</b>	Customer:		Tolerance Unless otherwise specified		Scale:	Dim. in mm	
	Name	Title	Approval Date		0 PLC ±0.50 1 PLC ±0.38 2 PLC ±0.25 3 PLC ±0.10 ANGLES ±.7	Autodesk Inventor	Material: See Notes
	2013	Date	Name	Draw.	Mar. 19	Vincent Ke	<b>Receptacle Assembly Kit</b> <b>Both Sides Bayonet Receptacle Housing</b> <b>with Cat. 5e RJ45 Inline Coupler</b>
		Appd.	Mar. 19	J. Chaudry	Norm		
a	original					Drawing No.: 17K1A502	DIN A3
Rev.	Changes	Date	Name			Part No.: SEE PART NUMBER TABLE	Sheet 1/1