



Chipsmall Limited consists of a professional team with an average of over 10 year of expertise in the distribution of electronic components. Based in Hongkong, we have already established firm and mutual-benefit business relationships with customers from,Europe,America and south Asia,supplying obsolete and hard-to-find components to meet their specific needs.

With the principle of “Quality Parts,Customers Priority,Honest Operation,and Considerate Service”,our business mainly focus on the distribution of electronic components. Line cards we deal with include Microchip,ALPS,ROHM,Xilinx,Pulse,ON,Everlight and Freescale. Main products comprise IC,Modules,Potentiometer,IC Socket,Relay,Connector.Our parts cover such applications as commercial,industrial, and automotives areas.

We are looking forward to setting up business relationship with you and hope to provide you with the best service and solution. Let us make a better world for our industry!



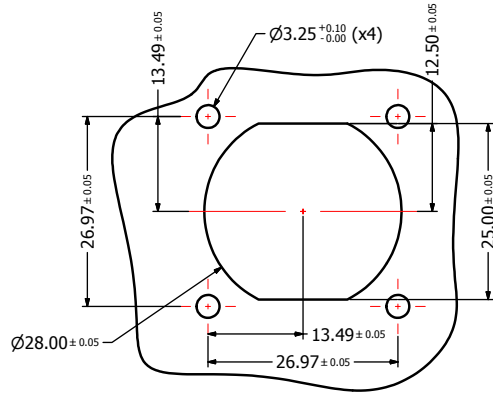
Contact us

Tel: +86-755-8981 8866 Fax: +86-755-8427 6832

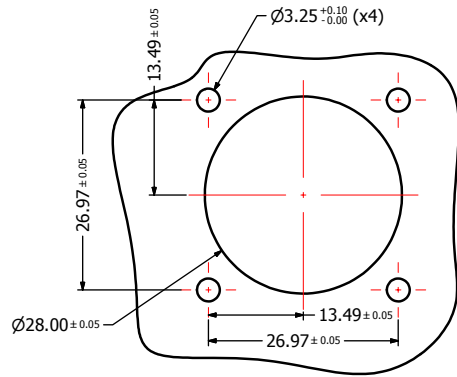
Email & Skype: info@chipsmall.com Web: www.chipsmall.com

Address: A1208, Overseas Decoration Building, #122 Zhenhua RD., Futian, Shenzhen, China

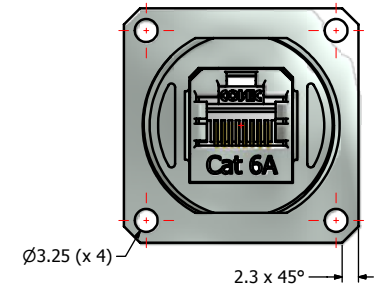
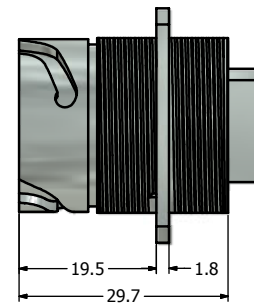
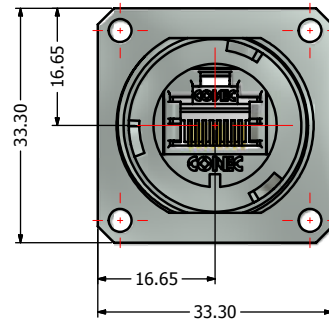
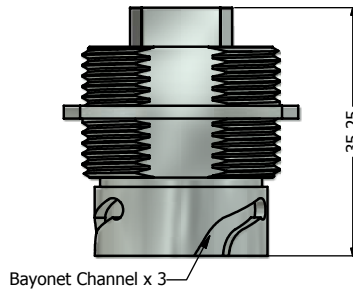




Recommended Double-D Panel Cutout



Recommended Round Panel Cutout



Nickel Plated Zinc Die-Cast Version Receptacle Housing (with Flange) Bayonet Locking Style

Shielded Cat. 6A RJ45 Inline Coupler

Notes:

- Electrical Specifications:
 - Meets EIA/TIA-568-B.2-10 Cat.6A Channel Specification
 - Contact Resistance: 20mOhm max.
 - Insulation Resistance: 500MOhm min. @ 100 VDC
 - Current Rating: 1.0A max. at 25° C
 - Working Voltage: 100 VDC
 - DWV: 1000 VDC/60s Contact to Contact, 1500 VDC/60s Contact to Metal Shell
 - Operating Temperature: -40° C to +85° C
- Material and Finish:
 - Receptacle Housing (with Flange): Zinc Die-Cast, Finish: Nickel Plated
 - RJ45 Jack Metal Shell: Copper Alloy, Nickel Plated
 - RJ45 Jack Plastic Housing: Glass filled PBT UL94 V-0, Color: Black
 - RJ45 Jack Contacts: Phosphor Bronze, Finish: 50u" Gold min. over Nickel
- Connector can be front or rear mounted to a maximum panel thickness of 3.2mm.
- IP67 rated when covered or fully mated with the appropriate mating connector
- RoHS compliant

Ⓢ The panel gasket (P/N: 17-103540) and the M3 mounting hardware (P/N: 17-103530) must be ordered separately, the recommended mounting torque is 12 to 14 lb-inch

Directive 2002/95/EC RoHS Compliant

| | | | | | | | | |
|--|-----------|-------------|------------|---|-----------------------|--|-------------------|---------------------|
| THIS DRAWING MAY NOT BE COPIED, OR REPRODUCED IN ANY WAY AND MAY NOT BE PASSED ON TO A THIRD PARTY WITHOUT WRITTEN PERMISSION. OWNERSHIP AND COPYRIGHT OF CONEC CORPORATION. DO NOT ALTER CAD DRAWING BY HAND | Customer: | | | Tolerance Unless otherwise specified | | Scale: NTS | Dim. in mm | |
| | Name | | Title | Approval Date | 0 PLC ±0.50 | | Autodesk Inventor | Material: See Notes |
| | | | | | 1 PLC ±0.38 | Title: Jack Receptacle (with Flange) | | |
| | | | | | 2 PLC ±0.25 | Assembly Kit with Cat. 6A RJ45 Coupler | | |
| | | | | | 3 PLC ±0.10 | Nickel Plated Zinc Die-Cast Version | | |
| | | | | ANGLES ±3 | Drawing No.: 17K1A266 | | DIN A3 | |
| c | 1 | Sep/08/2011 | Vincent Ke | Norm | Part No.: 17-150214 | | Sheet 1/1 | |
| b | 1 | Jul/12/2011 | Vincent Ke | D-old | | | | |
| a | original | | | | | | | |
| Rev. | Changes | Date | Name | | | | | |

