



Chipsmall Limited consists of a professional team with an average of over 10 year of expertise in the distribution of electronic components. Based in Hongkong, we have already established firm and mutual-benefit business relationships with customers from,Europe,America and south Asia,supplying obsolete and hard-to-find components to meet their specific needs.

With the principle of “Quality Parts,Customers Priority,Honest Operation,and Considerate Service”,our business mainly focus on the distribution of electronic components. Line cards we deal with include Microchip,ALPS,ROHM,Xilinx,Pulse,ON,Everlight and Freescale. Main products comprise IC,Modules,Potentiometer,IC Socket,Relay,Connector.Our parts cover such applications as commercial,industrial, and automotives areas.

We are looking forward to setting up business relationship with you and hope to provide you with the best service and solution. Let us make a better world for our industry!



## Contact us

Tel: +86-755-8981 8866 Fax: +86-755-8427 6832

Email & Skype: info@chipsmall.com Web: www.chipsmall.com

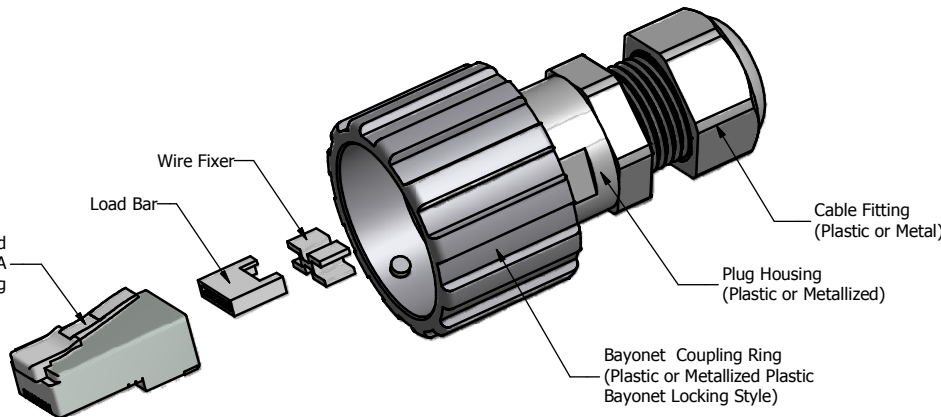
Address: A1208, Overseas Decoration Building, #122 Zhenhua RD., Futian, Shenzhen, China



Shielded  
Cat. 6A  
RJ45 Plug

Load Bar

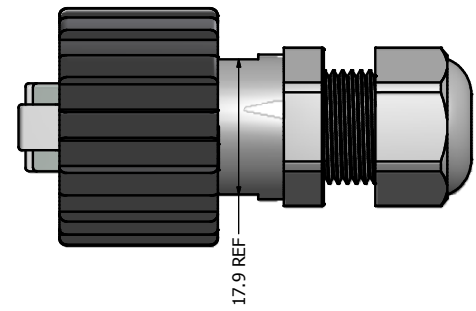
Wire Fixer



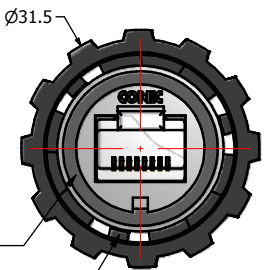
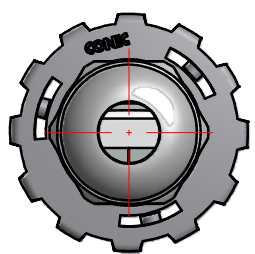
Cable Fitting  
(Plastic or Metal)

Plug Housing  
(Plastic or Metallized)

Bayonet Coupling Ring  
(Plastic or Metallized Plastic  
Bayonet Locking Style)



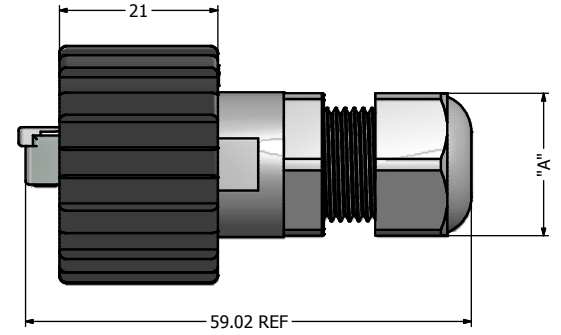
17.9 REF



Ø31.5

Interfacial Seal

Key Protrusion x 3



21

59.02 REF

"A"

**Notes:**

1. Electrical Specifications:
  - Meets EIA/TIA-568-B.2-10 Cat.6A Channel Specification
  - Contact Resistance: 20mOhm max.
  - Insulation Resistance: 500MOhm min. @ 100 VDC
  - Current Rating: 1.2A max. at 25° C
  - Working Voltage: 100 VDC
  - DWV: 1000 VDC/60s Contact to Contact, 1500 VDC/60s Contact to Metal Shell
  - Operating Temperature: -40° C to +85° C
2. Material and Finish:
  - Bayonet Coupling Ring and Housing: Polyester (Black) or Metallized ABS, UL94 V-0 (Nickel Plated)
  - Interfacial Seal: Silicone, Color: White
  - Cable Fitting: PA (Black), UL94 V-0 or Brass, Nickel Plated
  - Cable Fitting Rubber Ring: NBR, Color: Black
  - Cat.6A RJ45 Plug Metal Shell: Copper Alloy, Nickel Plated
  - Cat.6A RJ45 Plug Plastic Housing: Clear Polycarbonate UL94 V-2
  - Cat.6A RJ45 Plug Contacts: Phosphor Bronze, Finish: 50u" Gold min. over Nickel
3. Cat.6A RJ45 Plug accepts both Stranded and Solid Cables with Outer Diameter of 4.83mm to 6.73mm
4. Plastic Version Cable Fitting accepts Cable Outer Diameter Range of 4mm to 8mm
5. Metal Version Cable Gland accepts Cable Outer Diameter Range of 4.5mm to 8mm
6. RoHS compliant
7. IP67 rated when fully mated with the appropriate mating connector

Directive 2002/95/EC RoHS Compliant

Version	"A"	Part Number
Plastic Version	18.9mm REF.	17-150234
Metallized Plastic Version	17.9mm REF.	17-150244

THIS DRAWING MAY NOT BE COPIED OR REPRODUCED IN ANY MANNER AND MAY NOT BE PASSED ON TO A THIRD PARTY WITHOUT WRITTEN PERMISSION. OWNERSHIP AND COPYRIGHT OF CONEC CORPORATION.	Customer:			Tolerance Unless otherwise specified 0 PLC ±0.50 1 PLC ±0.38 2 PLC ±0.25 3 PLC ±0.10 ANGLES ±3°		Scale: 1.5:1	Dim. in mm
	Name	Title	Approval Date			Material: See Notes	
						Title: RJ45 Plug Kit with shielded Cat. 6A RJ45 Plug Plastic or Metallized Plastic Version	
						Drawing No.: 17K1A268	
						Part No.: SEE PART NUMBER ABOVE	
	original			<b>CONEC</b>	DIN A3		
Rev.	Changes	Date	Name		Sheet 1/1		