



Chipsmall Limited consists of a professional team with an average of over 10 year of expertise in the distribution of electronic components. Based in Hongkong, we have already established firm and mutual-benefit business relationships with customers from,Europe,America and south Asia,supplying obsolete and hard-to-find components to meet their specific needs.

With the principle of “Quality Parts,Customers Priority,Honest Operation,and Considerate Service”,our business mainly focus on the distribution of electronic components. Line cards we deal with include Microchip,ALPS,ROHM,Xilinx,Pulse,ON,Everlight and Freescale. Main products comprise IC,Modules,Potentiometer,IC Socket,Relay,Connector.Our parts cover such applications as commercial,industrial, and automotives areas.

We are looking forward to setting up business relationship with you and hope to provide you with the best service and solution. Let us make a better world for our industry!



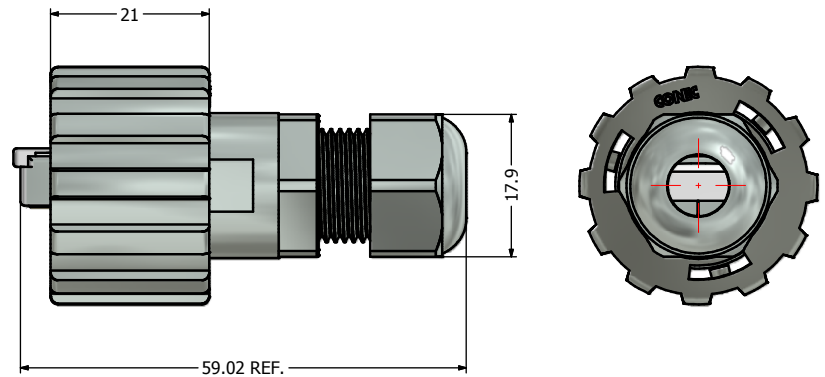
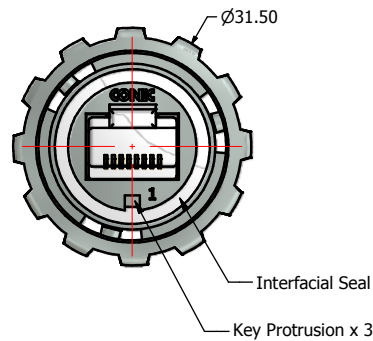
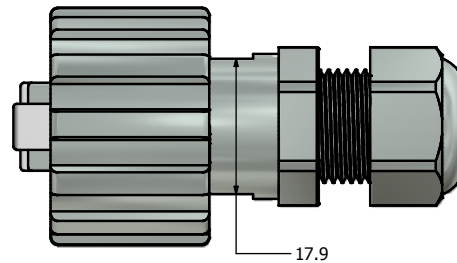
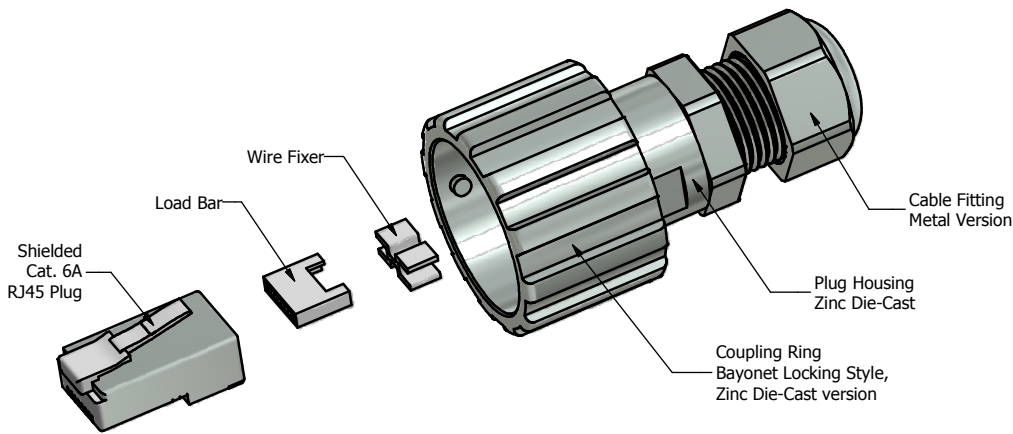
## Contact us

Tel: +86-755-8981 8866 Fax: +86-755-8427 6832

Email & Skype: info@chipsmall.com Web: www.chipsmall.com

Address: A1208, Overseas Decoration Building, #122 Zhenhua RD., Futian, Shenzhen, China





**Notes:**

1. Electrical Specifications:
  - Meets EIA/TIA-568-B.2-10 Cat.6A Channel Specification
  - Contact Resistance: 20mOhm max.
  - Insulation Resistance: 500MOhm min. @ 100 VDC
  - Current Rating: 1.2A max. at 25° C
  - Working Voltage: 100 VDC
  - DWV: 1000 VDC/60s Contact to Contact, 1500 VDC/60s Contact to Metal Shell
  - Operating Temperature: -40° C to +85° C
2. Material and Finish:
  - Coupling Ring and Plug Housing: Zinc Die-Cast, Nickel Plated
  - Interfacial Seal: Silicon, Color: White
  - Cable Fitting: Brass, Nickel Plated
  - Cable Fitting Rubber Ring: NBR, Color: Black
  - Cat.6A RJ45 Plug Metal Shell: Copper Alloy, Nickel Plated
  - Cat.6A RJ45 Plug Plastic Housing: Clear Polycarbonate UL94 V-2
  - Cat.6A RJ45 Plug Contacts: Phosphor Bronze, Finish: 50u" Gold min. over Nickel
3. Cat.6A RJ45 Plug accepts both Stranded and Solid Cables with Outer Diameter of 4.83mm to 6.73mm
4. Metal Cable Gland accepts Cable Outer Diameter Range of 4.5mm to 8mm
5. IP67 rated when fully mated with the appropriate mating connector
6. RoHS compliant

Directive 2002/95/EC RoHS Compliant

|  |           |          |               |   |                     |  |            |
|--|-----------|----------|---------------|---|---------------------|--|------------|
| THIS DRAWING MAY NOT BE COPIED OR REPRODUCED IN ANY MANNER AND MAY NOT BE PASSED ON TO A THIRD PARTY WITHOUT WRITTEN PERMISSION. OWNERSHIP AND COPYRIGHT OF CONEC CORPORATION. | Customer: |          |               | Tolerance<br>Unless otherwise specified<br>0 PLC ±0.50<br>1 PLC ±0.38<br>2 PLC ±0.25<br>3 PLC ±0.10<br>ANGLES ±3° |                     | Scale: NTS   | Dim. in mm |
|  | Name      | Title    | Approval Date |   |                     | Material: See Notes  |            |
|  |           |          |               |   |                     | Title: RJ45 Plug Kit with shielded Cat. 6A RJ45 Plug Nickel Plated Zinc Die-Cast Version |            |
|  |           |          |               |   |                     | Drawing No.: 17K1A271  | DIN A3     |
|  | a         | original |               |   | Part No.: 17-150284 |  |            |
| Rev.   | Changes   | Date     | Name          |   | Sheet 1/1           |  |            |