

Chipsmall Limited consists of a professional team with an average of over 10 year of expertise in the distribution of electronic components. Based in Hongkong, we have already established firm and mutual-benefit business relationships with customers from,Europe,America and south Asia,supplying obsolete and hard-to-find components to meet their specific needs.

With the principle of “Quality Parts,Customers Priority,Honest Operation,and Considerate Service”,our business mainly focus on the distribution of electronic components. Line cards we deal with include Microchip,ALPS,ROHM,Xilinx,Pulse,ON,Everlight and Freescale. Main products comprise IC,Modules,Potentiometer,IC Socket,Relay,Connector.Our parts cover such applications as commercial,industrial, and automotives areas.

We are looking forward to setting up business relationship with you and hope to provide you with the best service and solution. Let us make a better world for our industry!

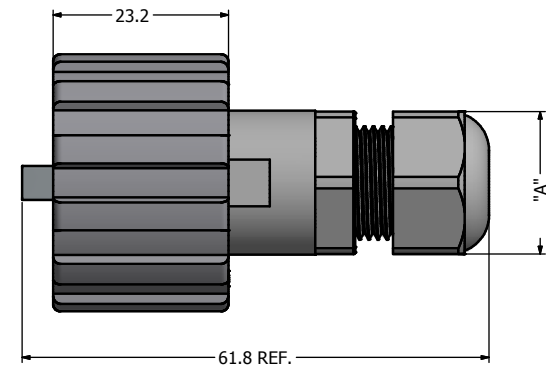
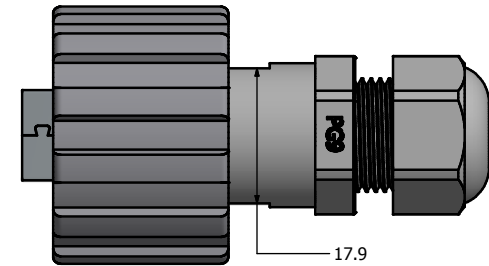
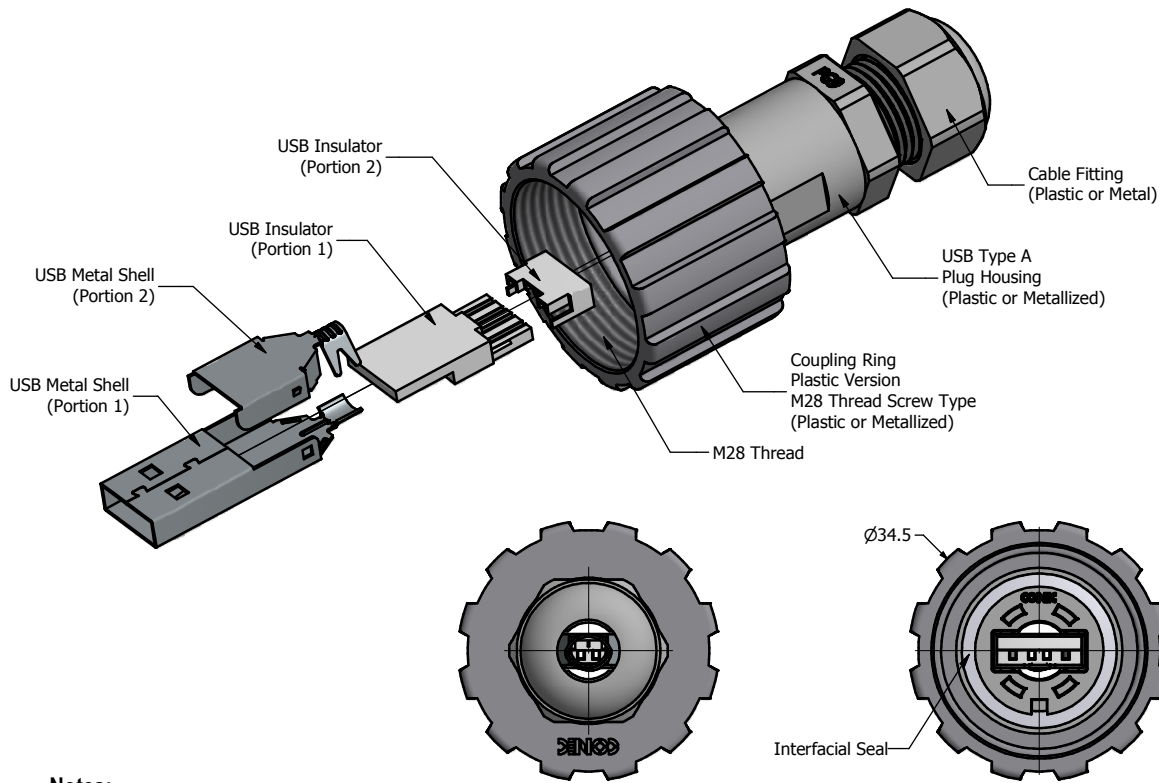


Contact us

Tel: +86-755-8981 8866 Fax: +86-755-8427 6832

Email & Skype: info@chipsmall.com Web: www.chipsmall.com

Address: A1208, Overseas Decoration Building, #122 Zhenhua RD., Futian, Shenzhen, China



Notes:

1. Electrical Specifications:
 - Meets USB 2.0 Specification
 - Contact Resistance: 30 mOhm max.
 - Insulation Resistance: 1000 MOhm min. @ 100 VDC
 - Current Rating: 1.5 A max. at 25°C
 - Working Voltage: 30 V (RMS) max.
 - DWV: 500 VAC/60s at sea Level
 - Operating Temperature: -40°C to +85°C
2. Material and Finish:
 - Coupling Ring and Plug Housing: Polyester (Black), UL94 V-0 or Metallized ABS (Nickel Plated), UL94 V-0
 - Interfacial Seal: Silicon, Color: White
 - Cable Fitting: PA (Black), UL94 V-0
 - Cable Fitting Rubber Ring: NBR, Color: Black
 - USB Metal Shell: SPCC, Nickel Plated
 - USB Insulator: PBT, UL94 V-0, White
 - USB Contacts: Copper Alloy,
 - USB Contact Finish: 30 u" Gold min. over Nickel for mating area, Tin over Nickel for solder cup
3. USB Type A Plug accepts AWG28 to AWG24 wires, Cable with outer Diameter of 4.06 mm to 5.21 mm
4. Cable Fitting accepts Cable Outer Diameter Range of 4 mm to 8 mm
5. IP67 rated when covered or fully mated with appropriate mating connector

Directive 2002/95/EC RoHS Compliant

(d)	(e)	Description	"A"	Part Number
		Plastic Version with Interfacial Seal	18.9mm REF.	17-200151
		Plastic Version without Interfacial Seal	18.9mm REF.	17-220001
		Metallized Plastic Version with Interfacial Seal	17.9mm REF.	17-200731
		Metallized Plastic Version without Interfacial Seal	17.9mm REF.	17-220011

THIS DRAWING MAY NOT BE COPIED OR REPRODUCED IN ANY MANNER AND MAY NOT BE PASSED ON TO A THIRD PARTY WITHOUT WRITTEN PERMISSION. OWNERSHIP AND COPYRIGHT OF CONEC CORPORATION. DO NOT ALTER CAD DRAWING BY HAND	Customer:			Tolerance Unless otherwise specified			Scale: 1.5:1	Dim. in mm
	Name	Title	Approval Date	0 PLC ±0.50	1 PLC ±0.38		Autodesk Inventor Inventor	Material: See Notes
	e	1 x e	Jul/24/2012	Vincent Ke	2 PLC ±0.25	3 PLC ±0.10		Title: IP67 USB
	d	1 x d	Mar/18/2010	Vincent Ke	ANGLES ±3°		USB Cable Strain Relief Assembly Kit	
	c		Nov/26/2009	Vincent Ke	D-old		with Solder Cup USB 2.0 Type A plug	
b		Jun/01/2009	Vincent Ke			Drawing No.: 17K1A009	DIN A3	
a	original					Part No.: SEE PART NUMBER TABLE	Sheet 1/1	
Rev.	Changes	Date	Name					

