



Chipsmall Limited consists of a professional team with an average of over 10 year of expertise in the distribution of electronic components. Based in Hongkong, we have already established firm and mutual-benefit business relationships with customers from,Europe,America and south Asia,supplying obsolete and hard-to-find components to meet their specific needs.

With the principle of "Quality Parts,Customers Priority,Honest Operation,and Considerate Service",our business mainly focus on the distribution of electronic components. Line cards we deal with include Microchip,ALPS,ROHM,Xilinx,Pulse,ON,Everlight and Freescale. Main products comprise IC,Modules,Potentiometer,IC Socket,Relay,Connector.Our parts cover such applications as commercial,industrial, and automotives areas.

We are looking forward to setting up business relationship with you and hope to provide you with the best service and solution. Let us make a better world for our industry!



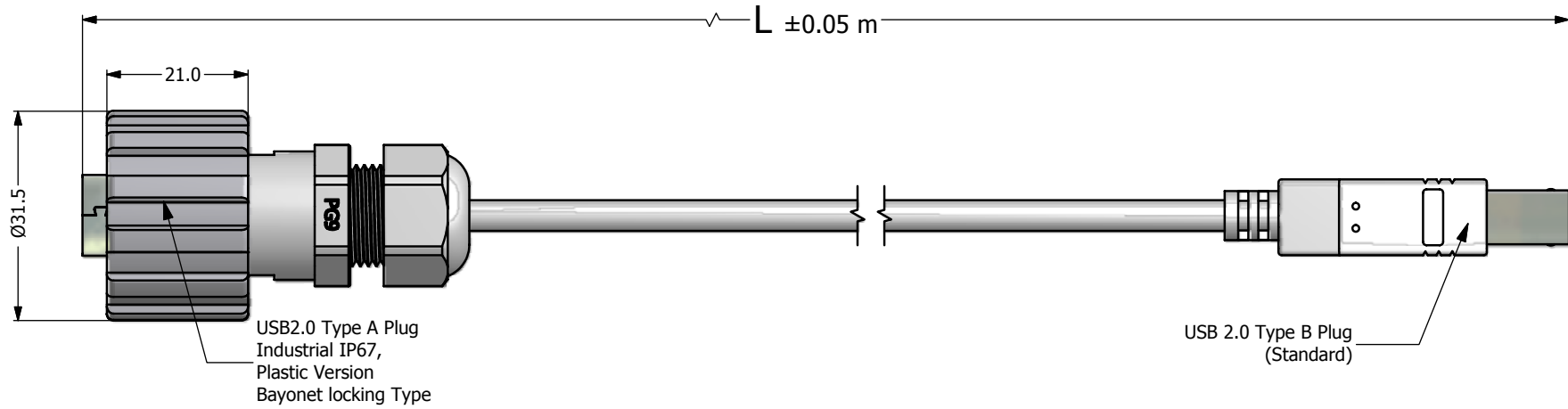
Contact us

Tel: +86-755-8981 8866 Fax: +86-755-8427 6832

Email & Skype: info@chipsmall.com Web: www.chipsmall.com

Address: A1208, Overseas Decoration Building, #122 Zhenhua RD., Futian, Shenzhen, China





NOTES:

1. Electrical Specifications:

- Meets USB 2.0 specifications
- Low level Contact Resistance: 30 mOhm max.
- Insulation Resistance 1000 MOhm min.
- Currant Rating: 1.5 A max. @ 25°C
- DWV: 500 VAC/60s at sea level
- Operating Temperature: -40°C to +80°C

2. Material and Finish:

- Coupling Ring: Polyester (Black); UL94 V-0
- Plug Housing: Polyester (Black); UL94 V-0
- Interfacial Seal: Silicone, Color: White
- Cable Gland: PA (Black); UL94 V-0
- Cable Gland Seal: NBR, Color: Black
- USB Insulator: PBT, UL 94V-0, Color: White
- USB Overmold: PVC, UL94 V-0, Color: Black
- USB Metal Shell: SPCC. Nickel plated
- USB Contact: Copper Alloy, 30 u" min. Au over 40 u" min. Nickel Plated

3. Shielded USB Cable Configuration

AWM 2725 AWG28/1p + AWG24/2c, OD: 4.5 mm Color: black

4. RoHS compliant

Directive 2002/95/EC
"RoHS"
Compliant

Cable Length L	Part Number
2 m	17-200181
3 m	17-200191
4.5 m	17-200211

THIS DRAWING MAY NOT BE COPIED, OR REPRODUCED IN ANY WAY AND MAY NOT BE PASSED ON TO A THIRD PARTY WITHOUT WRITTEN PERMISSION. OWNERSHIP AND COPYRIGHT OF CONEC CORPORATION	Customer:			Tolerance Unless otherwise specified		 Autodesk Inventor	Scale: 1.5:1	Dim. in m
	Name	Title	Approval Date	0 PLC ±0.30	1 PLC ±0.20		Material: See Notes Title: USB Patch Cord USB 2.0 Type A Plug (Industrial) to USB 2.0 Type B Plug (Standrad)	
				2 PLC ±0.10	3 PLC ±0.05			
				ANGLES ±1°				
				2008	Date	Name	Drawing No.: 17K1A105 Part No.: SEE P/N ABOVE	DIN A3
				Draw.	Sept 23	Vincent Ke		
				Appd.	Sept 23	J. chaudry	Sheet 1/1	
				Norm				
					D-old			
	b		Jan/19/2009	Vincent ke				
a	original							
Rev.	Changes	Date	Name	CONEC®				