



Chipsmall Limited consists of a professional team with an average of over 10 year of expertise in the distribution of electronic components. Based in Hongkong, we have already established firm and mutual-benefit business relationships with customers from,Europe,America and south Asia,supplying obsolete and hard-to-find components to meet their specific needs.

With the principle of “Quality Parts,Customers Priority,Honest Operation,and Considerate Service”,our business mainly focus on the distribution of electronic components. Line cards we deal with include Microchip,ALPS,ROHM,Xilinx,Pulse,ON,Everlight and Freescale. Main products comprise IC,Modules,Potentiometer,IC Socket,Relay,Connector.Our parts cover such applications as commercial,industrial, and automotives areas.

We are looking forward to setting up business relationship with you and hope to provide you with the best service and solution. Let us make a better world for our industry!



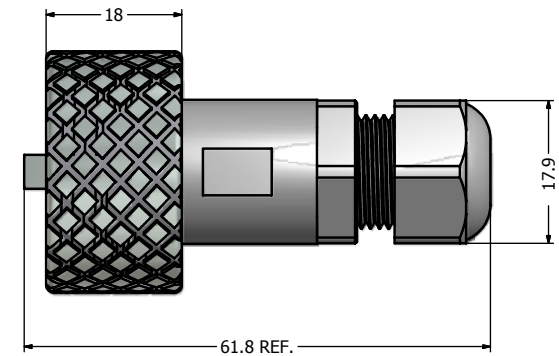
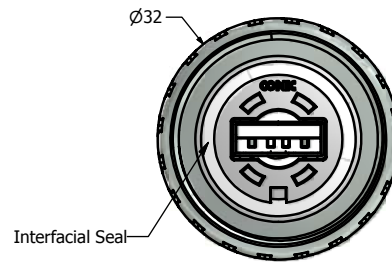
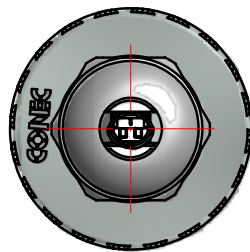
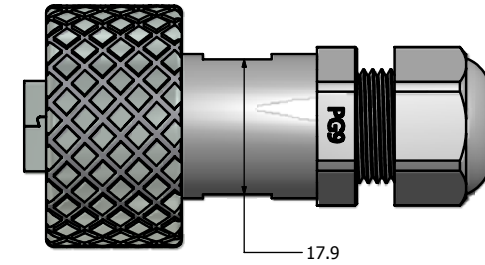
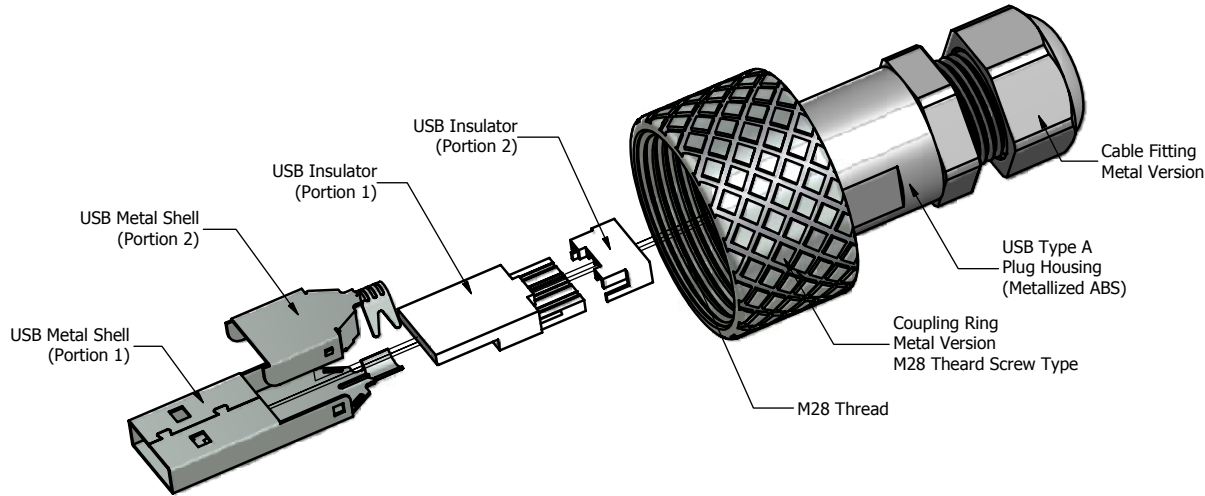
Contact us

Tel: +86-755-8981 8866 Fax: +86-755-8427 6832

Email & Skype: info@chipsmall.com Web: www.chipsmall.com

Address: A1208, Overseas Decoration Building, #122 Zhenhua RD., Futian, Shenzhen, China





Notes:

1. Electrical Specifications:
 - Meets USB 2.0 Specification
 - Contact Resistance: 30 mOhm max.
 - Insulation Resistance: 1000 MOhm min. @ 100 VDC
 - Current Rating: 1.5 A max. at 25°C
 - Working Voltage: 30 V (RMS) max.
 - DWV: 500 VAC/60s at sea Level
 - Operating Temperature: -40°C to +85°C
2. Material and Finish:
 - Metal Coupling Ring: Brass, Nickel Plated
 - Plug Housing: ABS, Nickel Plated, UL94 V-0
 - Interfacial Seal: Silicon, Color: White
 - Cable Fitting: PA (Black), UL94 V-0
 - Cable Fitting Rubber Ring: NBR, Color: Black
 - USB Metal Shell: SPCC, Nickel Plated
 - USB Insulator: PBT UL94 V-0
 - USB Contacts: Copper Alloy,
 - USB Contact Finish: 30 u" Gold min. over Nickel for mating area, Tin over Nickel for solder cup
3. USB Type A Plug accepts AWG28 to AWG24 wires, Cable with outer Diameter of 4.06 mm to 5.21mm
4. Cable Fitting accepts Cable Outer Diameter Range of 4 mm to 8 mm
5. IP67 rated when fully mated with appropriate mating connector
6. RoHS compliant

Directive 2002/95/EC RoHS Compliant

| | | | | | | | | |
|---|-----------|-------|---------------|---|-------------|---------------------------------------|-----------------------|------------|
| THIS DRAWING MAY NOT BE COPIED, OR REPRODUCED IN ANY WAY AND MAY NOT BE PASSED ON TO A THIRD PARTY WITHOUT WRITTEN PERMISSION. OWNERSHIP AND COPYRIGHT OF CONEC CORPORATION. DOT NOT ALTER CAD DRAWING BY HAND | Customer: | | | Tolerance Unless otherwise specified | | | Scale: 1.5:1 | Dim. in mm |
| | Name | Title | Approval Date | 0 PLC ±0.50 | 1 PLC ±0.38 | | Material: See Notes | |
| | | | | 2 PLC ±0.25 | 3 PLC ±0.10 | Title: IP67 USB 2.0 | | |
| | | | | ANGLES ±3° | | Type A Plug (Solder Cup) Assembly Kit | | |
| | | | | 2008 | Date | Name | Metal Version | |
| | | | | Draw. | Oct 31 | Vincent Ke | Drawing No.: 17K1A115 | |
| | | | | Appd. | Oct 31 | J. Chaudry | Part No.: 17-200331 | |
| | | | | Norm | | | DIN A3 | |
| | | | | c | Nov/26/2009 | Vincent ke | Sheet 1/1 | |
| | | | | b | Jun/01/2009 | Vincent Ke | | |

