



Chipsmall Limited consists of a professional team with an average of over 10 year of expertise in the distribution of electronic components. Based in Hongkong, we have already established firm and mutual-benefit business relationships with customers from,Europe,America and south Asia,supplying obsolete and hard-to-find components to meet their specific needs.

With the principle of “Quality Parts,Customers Priority,Honest Operation,and Considerate Service”,our business mainly focus on the distribution of electronic components. Line cards we deal with include Microchip,ALPS,ROHM,Xilinx,Pulse,ON,Everlight and Freescale. Main products comprise IC,Modules,Potentiometer,IC Socket,Relay,Connector.Our parts cover such applications as commercial,industrial, and automotives areas.

We are looking forward to setting up business relationship with you and hope to provide you with the best service and solution. Let us make a better world for our industry!



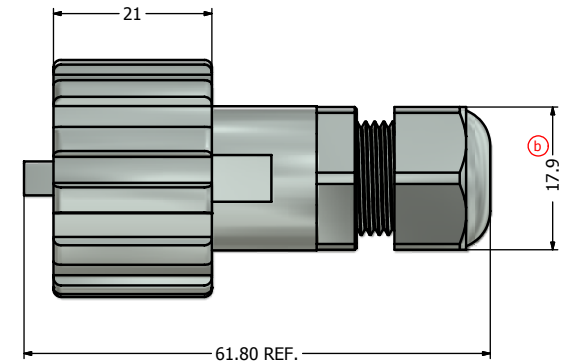
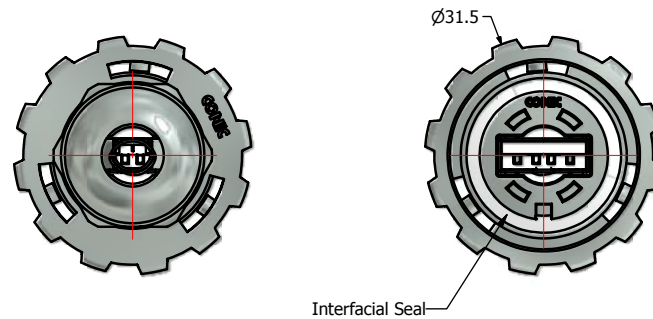
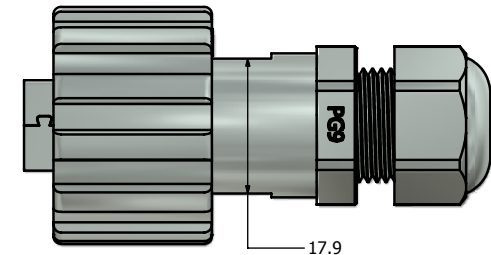
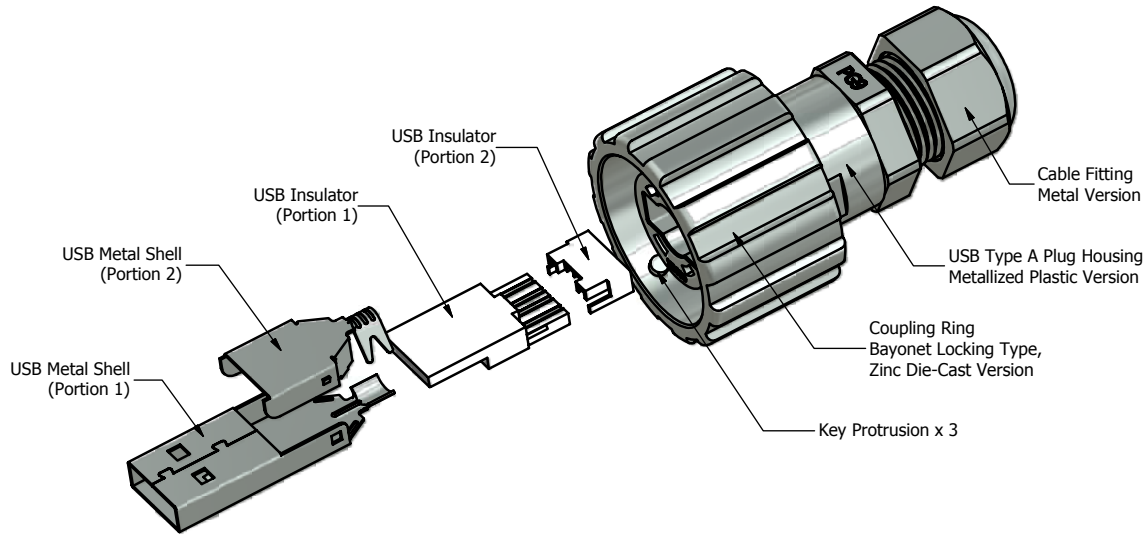
Contact us

Tel: +86-755-8981 8866 Fax: +86-755-8427 6832

Email & Skype: info@chipsmall.com Web: www.chipsmall.com

Address: A1208, Overseas Decoration Building, #122 Zhenhua RD., Futian, Shenzhen, China





Notes:

1. Electrical Specifications:
 - Meets USB 2.0 Specification
 - Contact Resistance: 30 mOhm max.
 - Insulation Resistance: 1000 MOhm min. @ 100 VDC
 - Current Rating: 1.5 A max. at 25° C
 - Working Voltage: 30 V (RMS) max.
 - DWV: 500 VAC/60s at sea Level
 - Operating Temperature: -40° C to +85° C
2. Material and Finish:
 - Coupling Ring: Zinc Die-Cast, Nickel Plated
 - USB Plug Housing: ABS, Nickel Plated, UL94 V-0
 - Interfacial Seal: Silicon, Color: White
 - Cable Fitting: Brass, Nickel Plated, UL94 V-0
 - Cable Fitting Rubber Ring: NBR, Color: Black
 - USB Metal Shell: SPCC, Nickel Plated
 - USB Insulator: PBT, UL94 V-0, White
 - USB Contacts: Copper Alloy,
 - USB Contact Finish: 30 u" Gold min. over Nickel for mating area, Tin over Nickel for solder cup
3. USB Type A Plug accepts AWG28 to AWG24 wires, Cable with outer Diameter of 4.06 mm to 5.21 mm
4. Cable Fitting accepts Cable Outer Diameter Range of 4 mm to 8 mm
5. IP67 rated when fully mated with appropriate mating connector
6. RoHS compliant

Directive 2002/95/EC RoHS Compliant

THIS DRAWING MAY NOT BE COPIED, OR REPRODUCED IN ANY WAY AND MAY NOT BE PASSED ON TO A THIRD PARTY WITHOUT WRITTEN PERMISSION. OWNERSHIP AND COPYRIGHT OF CONEC CORPORATION. DOT NOT ALTER CAD DRAWING BY HAND	Customer:			Tolerance Unless otherwise specified 0 PLC ±0.50 1 PLC ±0.38 2 PLC ±0.25 3 PLC ±0.10 ANGLES ±3°		Scale: 1.5:1	Dim. in mm
	Name	Title	Approval Date			Material: See Notes	
						Title: Die-Cast IP67 USB Plug Kit with USB 2.0 Type A Plug (Solder Cup) Nickel Plated Zinc Die-Cast Version	
						Drawing No.: 17K1A154	DIN A3
	Rev.	Changes	Date	Name		Part No.: 17-200591	Sheet 1/1
b		Jan/28/2011	Vincent Ke				
a		original					