



Chipsmall Limited consists of a professional team with an average of over 10 year of expertise in the distribution of electronic components. Based in Hongkong, we have already established firm and mutual-benefit business relationships with customers from,Europe,America and south Asia,supplying obsolete and hard-to-find components to meet their specific needs.

With the principle of “Quality Parts,Customers Priority,Honest Operation,and Considerate Service”,our business mainly focus on the distribution of electronic components. Line cards we deal with include Microchip,ALPS,ROHM,Xilinx,Pulse,ON,Everlight and Freescale. Main products comprise IC,Modules,Potentiometer,IC Socket,Relay,Connector.Our parts cover such applications as commercial,industrial, and automotives areas.

We are looking forward to setting up business relationship with you and hope to provide you with the best service and solution. Let us make a better world for our industry!



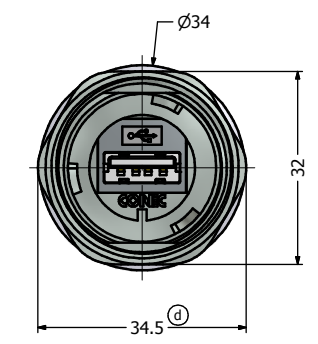
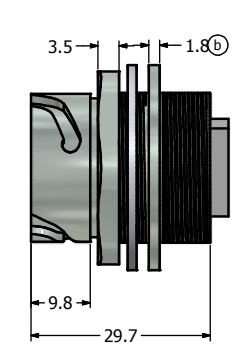
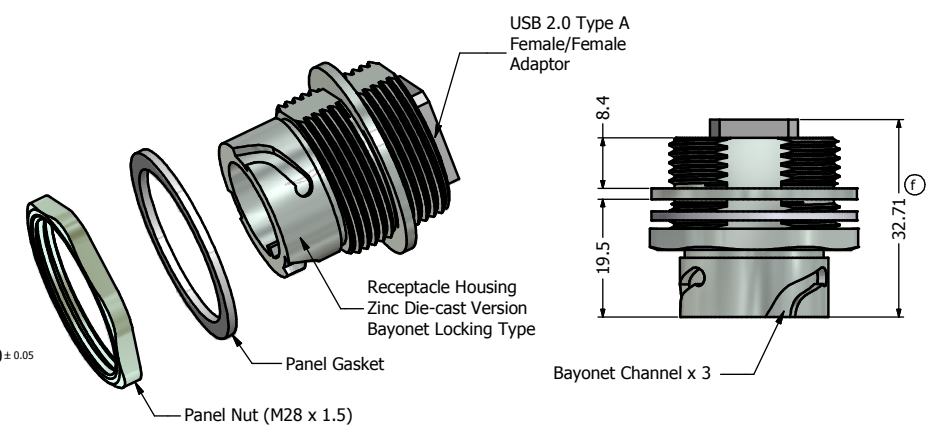
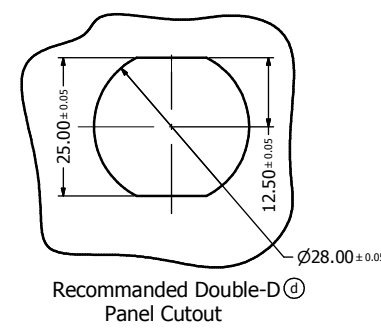
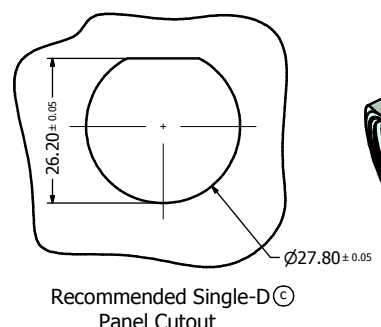
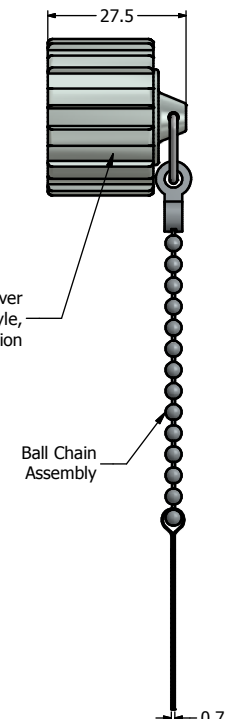
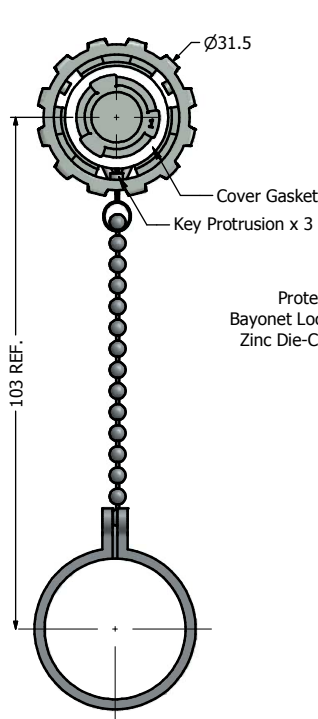
Contact us

Tel: +86-755-8981 8866 Fax: +86-755-8427 6832

Email & Skype: info@chipsmall.com Web: www.chipsmall.com

Address: A1208, Overseas Decoration Building, #122 Zhenhua RD., Futian, Shenzhen, China





- Notes:**
- Electrical Specifications:
 - Meets USB 2.0 Specification
 - Contact Resistance: 30 mOhm max.
 - Insulation Resistance: 1000 MOhm min. @ 100 VDC
 - Current Rating: 1.5 A max. at 25°C
 - Working Voltage: 30 V (RMS) max.
 - DWV: 500 VAC/60s at sea level
 - Operating Temperature: -40°C to +85°C
 - Material and Finish:
 - Receptacle Housing & Protective Cover: Zinc Die-Cast, Nickel Plated
 - Ball Chain Assembly: Copper Alloy (Nickel Plated) and Stainless Steel
 - Panel Nut: Brass, Finish: Nickel Plated
 - Panel and Cover Gasket: Silicon, Color: White
 - USB Adaptor Insulator: PBT, UL94 V-0, Black
 - USB Adaptor Metal Shell: Copper Alloy, Nickel Plated
 - USB Adaptor Overmold material: PBT UL94 V-0, Color: Black
 - USB Contacts: Copper Alloy, Finish: 30 u" Gold min. over Nickel
 - Connector can be front or rear mounted to a maximum panel thickness of 3.2 mm.
 - IP67 rated when fully mated with appropriate mating connector

Pin-Assignment

Type A Female	Type A Female
Pin1 -----	Pin1
Pin2 -----	Pin2
Pin3 -----	Pin3
Pin4 -----	Pin4
Shell -----	Shell

Directive 2002/95/EC RoHS Compliant

THIS DRAWING MAY NOT BE COPIED OR REPRODUCED IN ANY MANNER AND MAY NOT BE PASSED ON TO A THIRD PARTY WITHOUT WRITTEN PERMISSION. OWNERSHIP AND COPYRIGHT OF CONEC CORPORATION DO NOT ALTER CAD DRAWING BY HAND	Customer:		Tolerance Unless otherwise specified			Scale: NTS	Dim. in mm
	Name	Title	Approval Date	2010		Date	Name
	f	1 x f	May/15/2013	Vincent ke	Draw.	Mar. 16	Vincent Ke
	e	1 x e	Mar/22/2011	Vincent Ke	Appd.	Mar. 16	J. Chaudry
d	2 x d	Mar/02/2011	Vincent Ke	Norm			Drawing No.: 17K1A156 Part No.: 17-200611
c	1 x c	Jan/28/2011	Vincent Ke	D-old			
b	1 x b	May/31/2010	Vincent Ke				DIN A3 Sheet 1/1
a	original						
Rev.	Changes	Date	Name				