



Chipsmall Limited consists of a professional team with an average of over 10 year of expertise in the distribution of electronic components. Based in Hongkong, we have already established firm and mutual-benefit business relationships with customers from,Europe,America and south Asia,supplying obsolete and hard-to-find components to meet their specific needs.

With the principle of “Quality Parts,Customers Priority,Honest Operation,and Considerate Service”,our business mainly focus on the distribution of electronic components. Line cards we deal with include Microchip,ALPS,ROHM,Xilinx,Pulse,ON,Everlight and Freescale. Main products comprise IC,Modules,Potentiometer,IC Socket,Relay,Connector.Our parts cover such applications as commercial,industrial, and automotives areas.

We are looking forward to setting up business relationship with you and hope to provide you with the best service and solution. Let us make a better world for our industry!



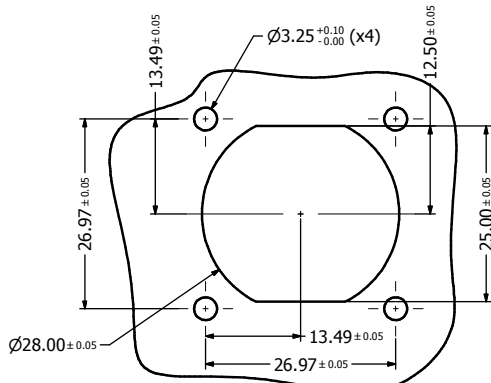
Contact us

Tel: +86-755-8981 8866 Fax: +86-755-8427 6832

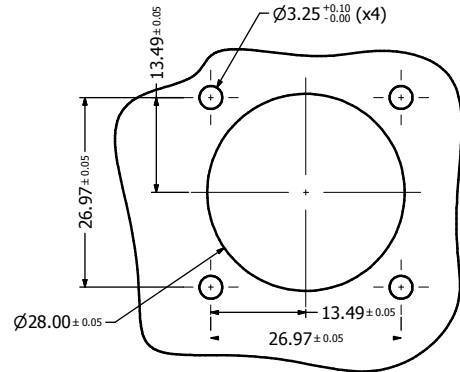
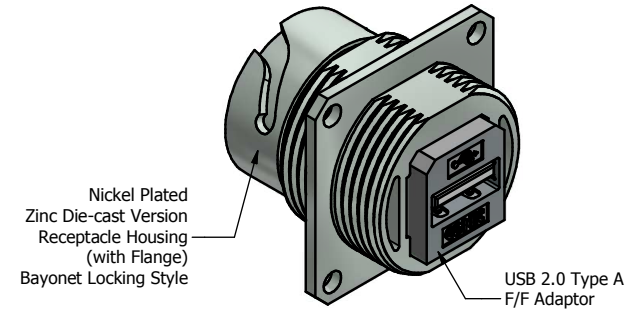
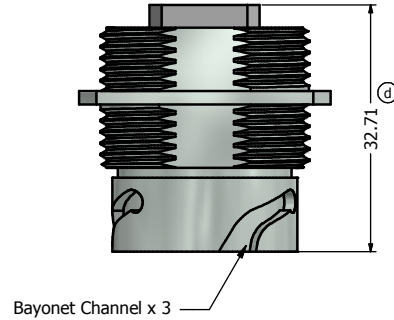
Email & Skype: info@chipsmall.com Web: www.chipsmall.com

Address: A1208, Overseas Decoration Building, #122 Zhenhua RD., Futian, Shenzhen, China

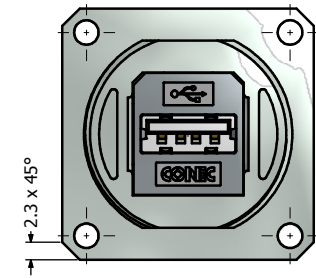
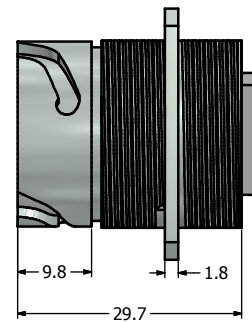
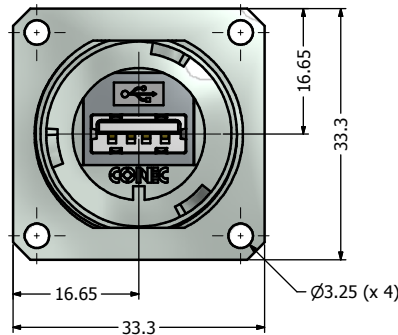




Recommended Double-D Panel Cutout



Recommended Round Panel Cutout



Notes:

- Electrical Specifications:
 - Meets USB 2.0 Specification
 - Contact Resistance: 30 mOhm max.
 - Insulation Resistance: 1000 MOhm min. @ 100 VDC
 - Current Rating: 1.5 A max. at 25°C
 - Working Voltage: 30 V (RMS) max.
 - DWV: 500 VAC/60s at sea level
 - Operating Temperature: -40°C to +85°C

2. Material and Finish:

- Receptacle Housing (with Flange): Zinc Die-Cast, Nickel Plated
- USB Adaptor Insulator: PBT, UL94 V-0, Black
- USB Adaptor Metal Shell: Copper Alloy, Nickel Plated
- USB Adaptor Overmold material: PBT UL94 V-0, Color: Black
- USB Contacts: Copper Alloy, Finish: 30 u" Gold min. over Nickel

3. Connector can be front or rear mounted to a maximum panel thickness of 3.2 mm.

4. IP67 rated when fully mated with appropriate mating connector

Pin-Assignment

| Type A Female | Type A Female |
|---------------|---------------|
| Pin1 ----- | Pin1 |
| Pin2 ----- | Pin2 |
| Pin3 ----- | Pin3 |
| Pin4 ----- | Pin4 |
| Shell ----- | Shell |

Directive 2002/95/EC RoHS Compliant

© The panel gasket (P/N: 17-103540) and the M3 mounting hardware (P/N: 17-103530) must be ordered separately, the recommended mounting torque is 8 to 10 lb-inch

| | | | | | | | | | |
|---|-----------|-------------|---------------|---|-------------|---------|-------------------|-----------------------|--|
| THE DRAWING MAY NOT BE COPIED OR REPRODUCED IN ANY MANNER AND MAY NOT BE PASSED ON TO A THIRD PARTY WITHOUT WRITTEN PERMISSION. OWNERSHIP AND COPYRIGHT OF CONEC CORPORATION. | Customer: | | | Tolerance Unless otherwise specified | | | Scale: NTS | Dim. in mm | |
| | Name | Title | Approval Date | 0 PLC ±0.50 | 1 PLC ±0.38 | | Autodesk Inventor | Material: See Notes | |
| | | | | 2 PLC ±0.25 | 3 PLC ±0.10 | 2011 | | Date | Name |
| | | | | ANGLES ±3 | | Draw. | Apr. 18 | Vincent Ke | IP67 USB Receptacle (with Flange) Assembly Kit with USB Type A Adaptor Nickel Plated Zinc Die-Cast Version |
| d | 1 x d | May/15/2013 | Vincent ke | Norm | Appd. | Apr. 18 | J. Chaudry | Drawing No.: 17K1A236 | |
| c | 1 x c | Mar/05/2013 | Vincent Ke | D-old | | | | Part No.: 17-200781 | Sheet 1/1 |
| b | 1 x b | Sep/08/2011 | Vincent ke | | | | | | |
| a | original | | | | | | | | |
| Rev. | Changes | Date | Name | | | | | | |
| | | | | | | | | | |