



Chipsmall Limited consists of a professional team with an average of over 10 year of expertise in the distribution of electronic components. Based in Hongkong, we have already established firm and mutual-benefit business relationships with customers from,Europe,America and south Asia,supplying obsolete and hard-to-find components to meet their specific needs.

With the principle of “Quality Parts,Customers Priority,Honest Operation,and Considerate Service”,our business mainly focus on the distribution of electronic components. Line cards we deal with include Microchip,ALPS,ROHM,Xilinx,Pulse,ON,Everlight and Freescale. Main products comprise IC,Modules,Potentiometer,IC Socket,Relay,Connector.Our parts cover such applications as commercial,industrial, and automotives areas.

We are looking forward to setting up business relationship with you and hope to provide you with the best service and solution. Let us make a better world for our industry!



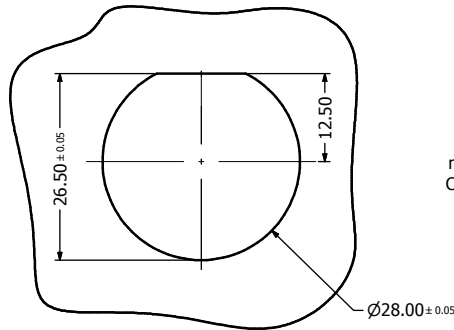
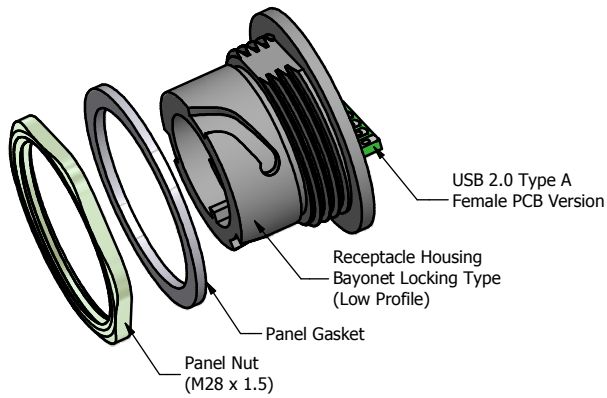
Contact us

Tel: +86-755-8981 8866 Fax: +86-755-8427 6832

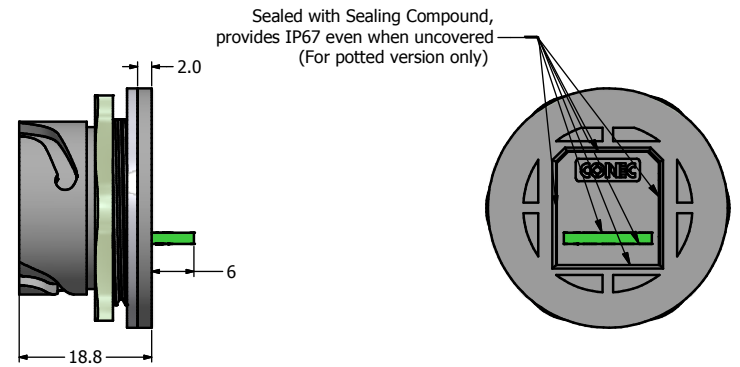
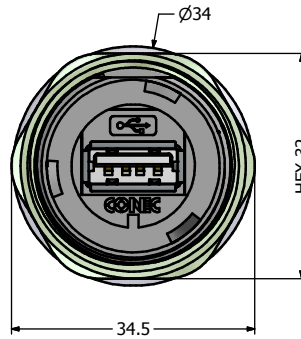
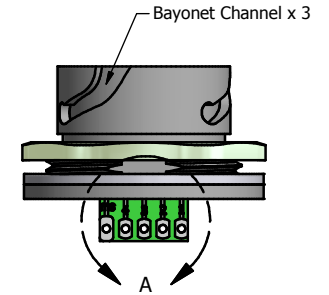
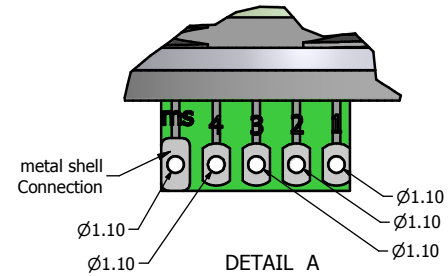
Email & Skype: info@chipsmall.com Web: www.chipsmall.com

Address: A1208, Overseas Decoration Building, #122 Zhenhua RD., Futian, Shenzhen, China





Recommended Panel Cutout



Notes:

- Electrical Specifications:
 - Meets USB 2.0 Specification
 - Contact Resistance: 30 mOhm max.
 - Insulation Resistance: 1000 MOhm min. @ 100 VDC
 - Current Rating: 1.5 A max. at 25°C
 - Working Voltage: 30 V (RMS) max.
 - DWV: 500 VAC/60s at sea level
 - Operating Temperature: -40°C to +85°C
- Material and Finish:
 - Receptacle Housing (Low Profile): Polyester (Black), UL94 V-0 or Metallized ABS (Nickel Plated), UL94 V-0
 - Panel Nut: Brass, Finish: Nickel Plated
 - Panel Gasket: Silicon, Color: White
 - USB Insulator: PBT, UL94 V-0, Black
 - USB Metal Shell: Copper Alloy, Nickel Plated
 - USB Overmold material: PBT UL94 V-0, Color: Black
 - USB Contacts: Copper Alloy, Finish: 30 u" Gold min. over Nickel
 - PCB: FR-4, UL94 V-0, Color: Green
- Maximum panel thickness: 2.0 mm.
- IP67 rated when covered or fully mated with the appropriate mating connector
- Recommended Mounting Panel Nut torque is 20 to 25 lb-inch

Pin to typical USB Cable Wiring Assignment

Type A F	PCB	Signal Name	USB Cable
Pin1	Pin1	V _{bus}	Red
Pin2	Pin2	D-	White
Pin3	Pin3	D+	Green
Pin4	Pin4	GND	Black
Shell	GND	GND	Drain Wire

Directive 2002/95/EC RoHS Compliant

Description	Part Number
Plastic Version with USB 2.0 Type A Female PCB Version	17-210021
Metallized Plastic Version with USB 2.0 Type A Female Version	17-210031
Potted Plastic Version with USB 2.0 Type A Female PCB Version	17-210041
Potted Metallized Plastic Version with USB 2.0 Type A Female Version	17-210051

THIS DRAWING MAY NOT BE COPIED OR REPRODUCED IN ANY WAY AND MAY NOT BE PASSED ON TO A THIRD PARTY WITHOUT WRITTEN PERMISSION. OWNERSHIP AND COPYRIGHT OF CONEC CORPORATION.	Customer:		Tolerance Unless otherwise specified 0 PLC ±0.50 1 PLC ±0.38 2 PLC ±0.25 3 PLC ±0.10 ANGLES ±3°		Scale:	Dim. in mm	
	Name	Title			Approval Date	Material: See Notes	
				2012	Date	Name	Title: IP67 USB Receptacle Kit (Low Profile) with USB 2.0 Type A Female PCB Version
				Draw.	Oct. 09	Vincent Ke	
			Appd.	Oct. 09	J. Chaudry	Drawing No.: 17K1A330	
			Norm				Part No.: SEE PART NUMBER TABLE
			D-old			DIN A3	
							Sheet 1/1
Rev.	Changes	Date			Name		