



Chipsmall Limited consists of a professional team with an average of over 10 year of expertise in the distribution of electronic components. Based in Hongkong, we have already established firm and mutual-benefit business relationships with customers from,Europe,America and south Asia,supplying obsolete and hard-to-find components to meet their specific needs.

With the principle of “Quality Parts,Customers Priority,Honest Operation,and Considerate Service”,our business mainly focus on the distribution of electronic components. Line cards we deal with include Microchip,ALPS,ROHM,Xilinx,Pulse,ON,Everlight and Freescale. Main products comprise IC,Modules,Potentiometer,IC Socket,Relay,Connector.Our parts cover such applications as commercial,industrial, and automotives areas.

We are looking forward to setting up business relationship with you and hope to provide you with the best service and solution. Let us make a better world for our industry!



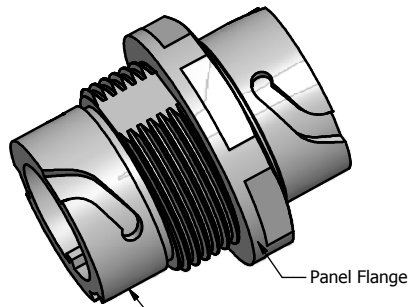
Contact us

Tel: +86-755-8981 8866 Fax: +86-755-8427 6832

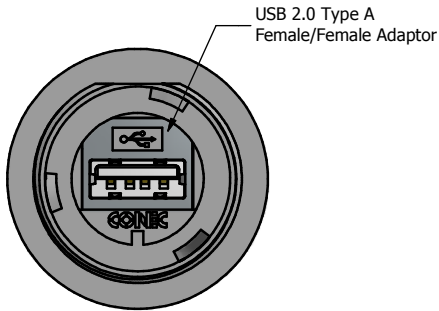
Email & Skype: info@chipsmall.com Web: www.chipsmall.com

Address: A1208, Overseas Decoration Building, #122 Zhenhua RD., Futian, Shenzhen, China

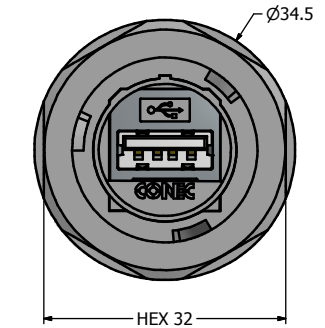
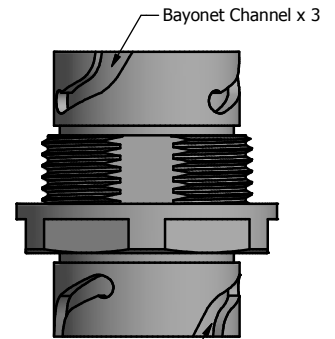
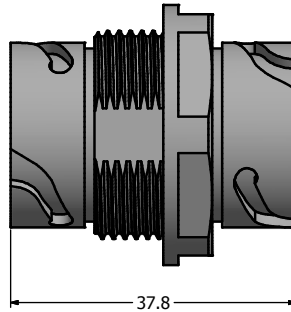




Panel Flange
Receptacle Housing
(Bayonet Locking Style
on Both Sides)



USB 2.0 Type A
Female/Female Adaptor



Notes:

1. Electrical Specifications:

- Meets USB 2.0 Specification
- Contact Resistance: 30 mOhm max.
- Insulation Resistance: 1000 MOhm min. @ 100 VDC
- Current Rating: 1.5 A max. at 25° C
- Working Voltage: 30 V (RMS) max.
- DWV: 500 VAC/60s at sea level
- Operating Temperature: -40° C to +85° C

2. Material and Finish:

- Receptacle Housing: Polyester, UL94 V-0, Color: Black
- Ⓢ or ABS, Nickel Plated, UL94 V-0
- Panel Nut: Brass, Finish: Nickel Plated
- Panel Gasket: Silicon, Color: White
- USB Adaptor Insulator: PBT, UL94 V-0, Black
- USB Adaptor Metal Shell: Copper Alloy, Nickel Plated
- USB Adaptor Overmold material: PBT UL94 V-0, Color: Black
- USB Contacts: Copper Alloy, Finish: 30 u" Gold min. over Nickel

3. Connector can be mounted to a maximum panel thickness of 3.2 mm.

4. IP67 rated when covered or fully mated with the appropriated mating connector

Version	Part Number
Plastic Version	17-210131
Metallized Plastic Version	17-210171

THIS DRAWING MAY NOT BE COPIED OR REPRODUCED IN ANY WAY AND MAY NOT BE PASSED ON TO A THIRD PARTY WITHOUT WRITTEN PERMISSION. OWNERSHIP AND COPYRIGHT OF CONEC CORPORATION. DO NOT ALTER CAD DRAWING BY HAND	Customer:			Tolerance Unless otherwise specified			Scale:	Dim. in mm	
	Name	Title	Approval Date	0 PLC ±0.50	1 PLC ±0.38		Autodesk Inventor Material: See Notes Title: Receptacle Assembly Kit Both Sides Bayonet Receptacle Housing with USB Type A F/F Adaptor	Drawing No.: 17K1A356 Part No.: SEE PART NUMBER TABLE	DIN A3 Sheet 1/1
				2 PLC ±0.25	3 PLC ±0.10				
				ANGLES ±3°					
	b	3 x b	Jan/18/2013	Vincent Ke	2012	Date	Name		
a	original			Draw.	Sept. 28	Vincent Ke			
Rev.	Changes	Date	Name	Appd.	Sept. 28	J. Chaudry			
				Norm					
				D-old					

Directive 2002/95/EC RoHS Compliant