



Chipsmall Limited consists of a professional team with an average of over 10 year of expertise in the distribution of electronic components. Based in Hongkong, we have already established firm and mutual-benefit business relationships with customers from,Europe,America and south Asia,supplying obsolete and hard-to-find components to meet their specific needs.

With the principle of “Quality Parts,Customers Priority,Honest Operation,and Considerate Service”,our business mainly focus on the distribution of electronic components. Line cards we deal with include Microchip,ALPS,ROHM,Xilinx,Pulse,ON,Everlight and Freescale. Main products comprise IC,Modules,Potentiometer,IC Socket,Relay,Connector.Our parts cover such applications as commercial,industrial, and automotives areas.

We are looking forward to setting up business relationship with you and hope to provide you with the best service and solution. Let us make a better world for our industry!



## Contact us

Tel: +86-755-8981 8866 Fax: +86-755-8427 6832

Email & Skype: info@chipsmall.com Web: www.chipsmall.com

Address: A1208, Overseas Decoration Building, #122 Zhenhua RD., Futian, Shenzhen, China



**Notes:**

1. Material and Finish:

- Coupler Ring: Polyester (Black); UL94 V-0
- Plug Housing: Polyester (Black); UL94 V-0
- Cable Gland: PA (Black), UL94 V-0
- Cable Gland Rubber Ring: NBR, Color: Black
- Cable Fitting: PA (Black), UL94 V-0
- Interfacial Seal: Silicone, Color: White

(f) Duplex LC Connector

- Housing: PEI, UL94 V-0,

(e) (b) Color: **SM Blue/MM Beige/APC SM Green**

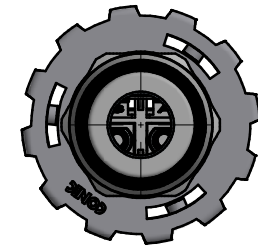
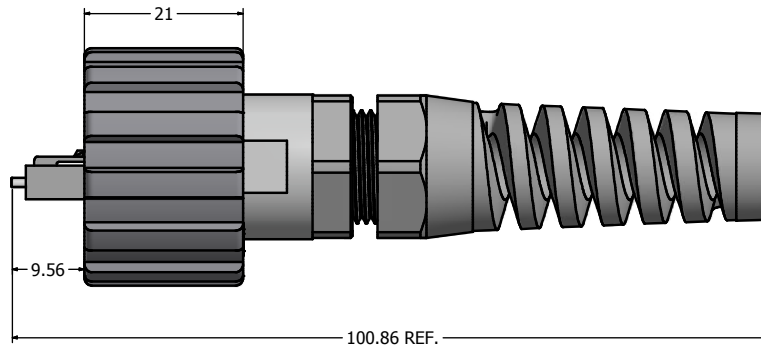
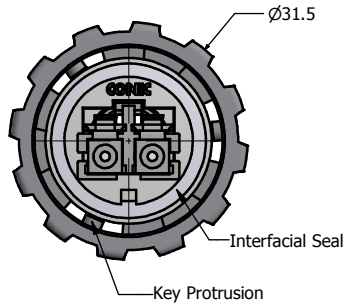
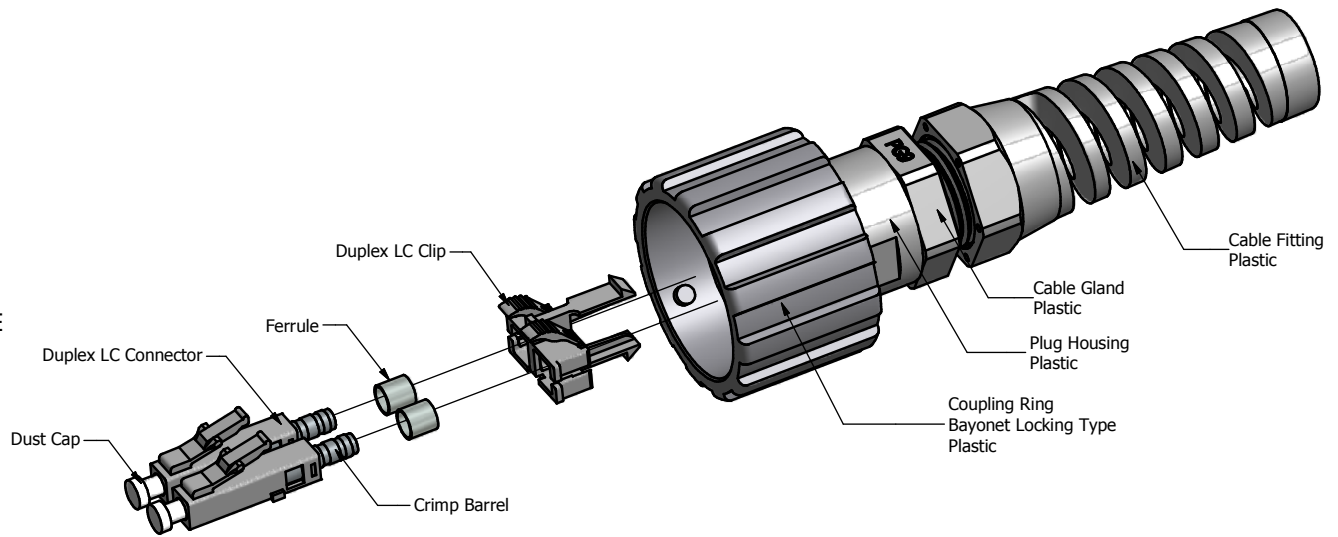
- Inner Sub Assembly: Zirconia, Metal and PTFE
- Crimp Barrel: Brass, Nickel Plated
- Ferrule: Brass, Nickel Plated
- Dust Cap: PC, Color: White

(c) Duplex LC Clip: PC, Color: Black

- Operating Temperature: -40°C to +85°C

2. IP67 rated when covered or fully mated with the appropriate mating connector

(d) 3. Accept 4.5mm to 8.0mm outside diameter fiber optic cable



Description	Part Number
Single Mode (SM)	17-300030
Multi Mode (MM)	17-300040
(e) APC Single Mode (APC SM)	17-300110

Directive 2002/95/EC RoHS Compliant

THIS DRAWING MAY NOT BE COPIED OR REPRODUCED IN ANY MANNER WITHOUT WRITTEN PERMISSION. OWNERSHIP AND COPYRIGHT OF CONEC CORPORATION. <b>DO NOT ALTER CAD DRAWING BY HAND</b>	Customer:			Tolerance Unless otherwise specified			Scale: 1.5:1	Dim. in mm	
	Name	Title	Approval Date	0 PLC ±0.58	1 PLC ±0.38		2 PLC ±0.25	3 PLC ±0.10	ANGLES ±.7
	g	1 x g	Sep/25/2013	Vincent Ke	2008	Date	Name	Material: See Notes	
	f	1 x f	Jul/12/2011	Vincent Ke	Draw.	Jun. 06	Vincent Ke	Title: IP67 Industrial Duplex LC Plug Kit Plastic Version	
	e	2 x e	Nov/22/2010	Vincent ke	Appd.	Jun. 06	J. Chaudry	Drawing No.: 17K1A003	
d	1 x d	Nov/03/2010	Vincent Ke	Norm			Part No.: SEE P/N ABOVE		
c	1 x c	Jul/19/2010	Vincent Ke	D-old			DIN A3		
b	1 x b	May/28/2009	Vincent Ke				Sheet 1/1		
a	original								
Rev.	Changes	Date	Name						

