



Chipsmall Limited consists of a professional team with an average of over 10 year of expertise in the distribution of electronic components. Based in Hongkong, we have already established firm and mutual-benefit business relationships with customers from,Europe,America and south Asia,supplying obsolete and hard-to-find components to meet their specific needs.

With the principle of “Quality Parts,Customers Priority,Honest Operation,and Considerate Service”,our business mainly focus on the distribution of electronic components. Line cards we deal with include Microchip,ALPS,ROHM,Xilinx,Pulse,ON,Everlight and Freescale. Main products comprise IC,Modules,Potentiometer,IC Socket,Relay,Connector.Our parts cover such applications as commercial,industrial, and automotives areas.

We are looking forward to setting up business relationship with you and hope to provide you with the best service and solution. Let us make a better world for our industry!



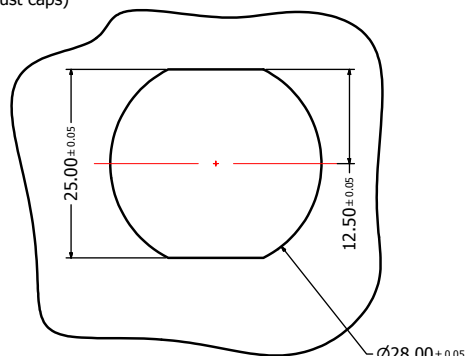
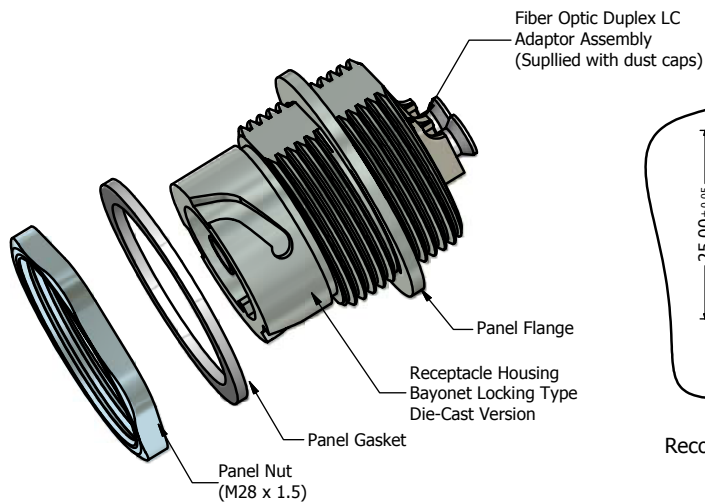
Contact us

Tel: +86-755-8981 8866 Fax: +86-755-8427 6832

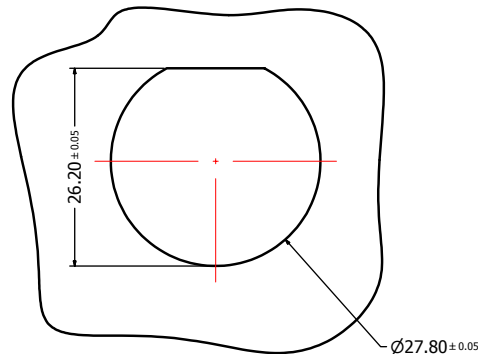
Email & Skype: info@chipsmall.com Web: www.chipsmall.com

Address: A1208, Overseas Decoration Building, #122 Zhenhua RD., Futian, Shenzhen, China

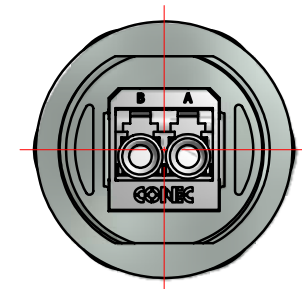
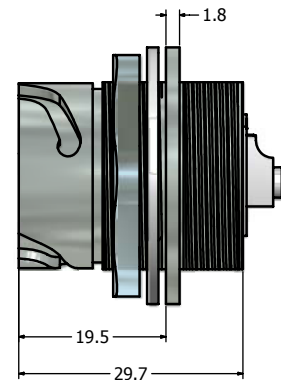
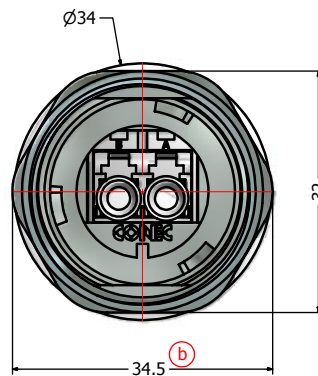
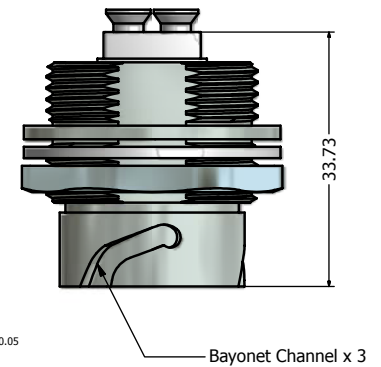




Recommended Double-D Panel Cutout (b)



Recommended Single-D Panel Cutout (b)



Notes:

- Material and Finish:
 - Receptacle Housing: Zinc Die-Cast, Nickel Plated
 - Panel Nut: Brass, Finish: Nickel Plated
 - Panel Gasket: Silicone, Color: White
- Duplex LC Adaptor Assembly:
 - Housing: Mod. PPO, UL94 V-0, Color: **SM Blue/MM Beige/APC SM Green**
 - Alignment Sleeves: SM Ceramic/MM Phosphor Bronze
 - Dust Cap: PP, Color: Neutral transparent
 - Operating Temperature: -40°C to +85°C
- Connector can be front or rear mounted to a maximum panel thickness of 3.2mm.
- IP67 rated when covered or fully mated with the appropriate mating connector
- RoHS compliant

Description	Part Number
Single Mode (SM)	17-300060
Multi Mode (MM)	17-300070
(b) APC Single Mode (APC SM)	17-300180

Directive 2002/95/EC RoHS Compliant

THIS DRAWING MAY NOT BE COPIED, OR REPRODUCED IN ANY WAY AND MAY NOT BE PASSED ON TO A THIRD PARTY WITHOUT WRITTEN PERMISSION. OWNERSHIP AND COPYRIGHT OF CONECC CORPORATION. DOT NOT ALTER CAD DRAWING BY HAND	Customer:			Tolerance Unless otherwise specified			Scale: 1.5:1	Dim. in mm
	Name	Title	Approval Date	0 PLC ±0.30	1 PLC ±0.20		Autodesk Inventor	Material: See Notes
				2 PLC ±0.10	3 PLC ±0.05	2008	Date	Name
				ANGLES ±1°		Draw.	Jun. 03	Vincent Ke
						Appd.	Jun. 03	J. Chaudry
						Norm		
						D-old		
	b		Feb/25/2011	Vincent Ke				
	a	original						
	Rev.	Changes	Date	Name			Title: IP67 Industrial Duplex LC Receptacle Assembly Kit Nickel Plated Die-Cast Version	
							Drawing No.: 17K1A171	DIN A3
						Part No.: SEE PART NUMBER TABLE	Sheet 1/1	