



Chipsmall Limited consists of a professional team with an average of over 10 year of expertise in the distribution of electronic components. Based in Hongkong, we have already established firm and mutual-benefit business relationships with customers from,Europe,America and south Asia,supplying obsolete and hard-to-find components to meet their specific needs.

With the principle of “Quality Parts,Customers Priority,Honest Operation,and Considerate Service”,our business mainly focus on the distribution of electronic components. Line cards we deal with include Microchip,ALPS,ROHM,Xilinx,Pulse,ON,Everlight and Freescale. Main products comprise IC,Modules,Potentiometer,IC Socket,Relay,Connector.Our parts cover such applications as commercial,industrial, and automotives areas.

We are looking forward to setting up business relationship with you and hope to provide you with the best service and solution. Let us make a better world for our industry!



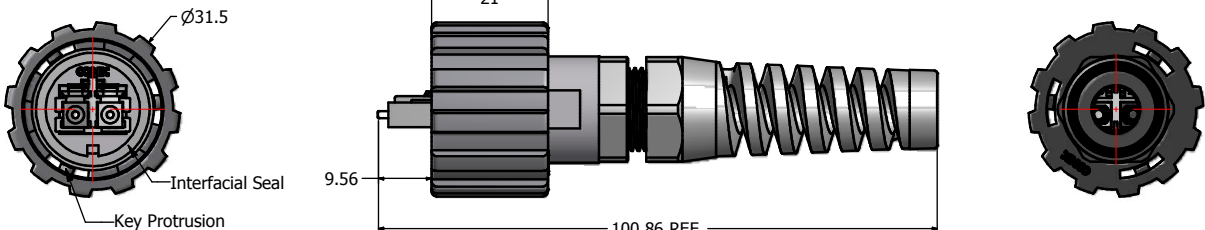
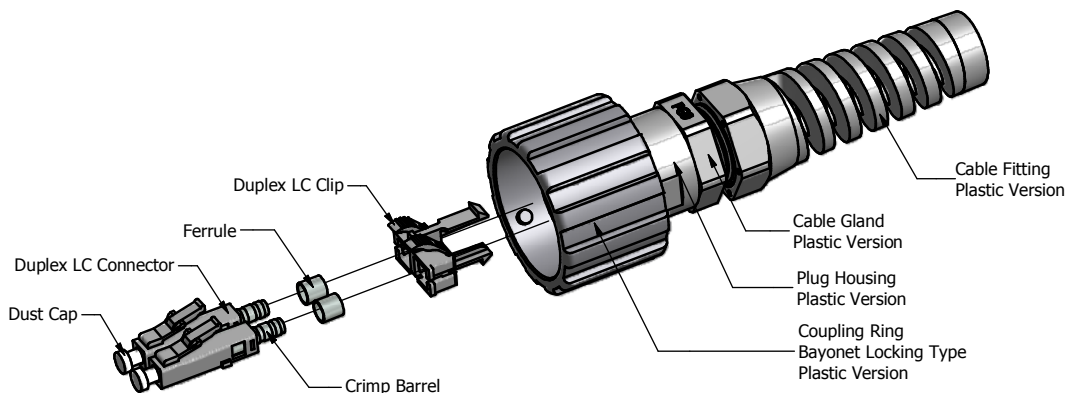
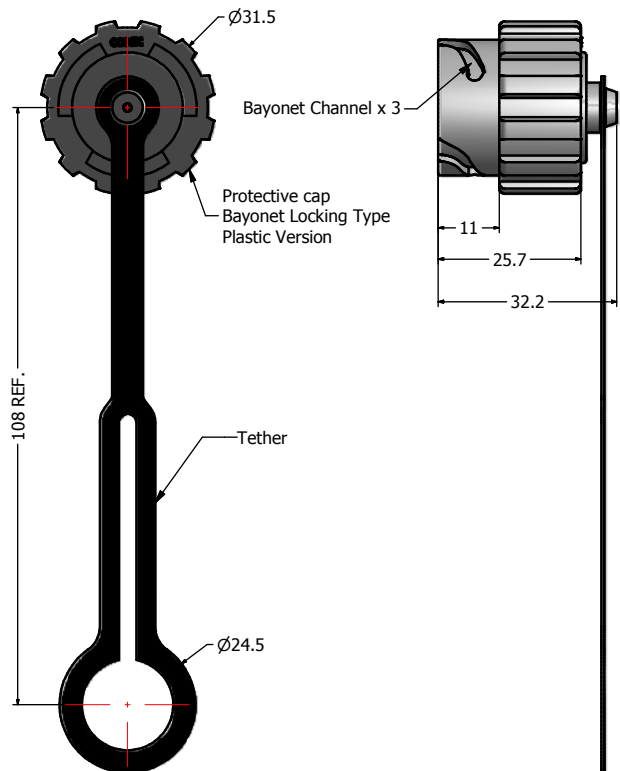
Contact us

Tel: +86-755-8981 8866 Fax: +86-755-8427 6832

Email & Skype: info@chipsmall.com Web: www.chipsmall.com

Address: A1208, Overseas Decoration Building, #122 Zhenhua RD., Futian, Shenzhen, China





- Notes:**
- Material and Finish:
 - Coupler Ring: Polyester (Black); UL94 V-0
 - Plug Housing: Polyester (Black); UL94 V-0
 - Cable Gland: PA (Black), UL94 V-0
 - Cable Gland Rubber Ring: NBR, Color: Black
 - Cable Fitting: PA (Black), UL94 V-0
 - Interfacial Seal: Silicon, Color: White
 - Protective Cap: Polyester (Black); UL94 V-0
 - Tether: Polycarbonate (Black)
 - Duplex LC Connector
 - Housing: PEI, UL94 V-0, Color: **SM Blue/MM Beige/APC SM Green**
 - Inner Sub Assembly: Zirconia, Metal and PTFE
 - Crimp Barrel: Brass, Nickel Plated
 - Ferrule: Brass, Nickel Plated
 - Dust Cap: PC, Color: White
 - Duplex LC Clip: PC, Color: Black
 - Operating Temperature: -40~C to +85~C
 - IP67 rated when covered or fully mated with the appropriate mating connector
 - Accept 4.5mm to 8.0mm outside diameter fiber optic cable

Directive 2002/95/EC RoHS Compliant

Description	Part Number
Plastic Duplex LC Single Mode Plug Kit + Plug Cover Assembly	17-300200
Plastic Duplex LC Multi Mode Plug Kit + Plug Cover Assembly	17-300210
Plastic Duplex LC APC Single Mode Plug Kit + Plug Cover Assembly	17-300220

THIS DRAWING MAY NOT BE COPIED OR REPRODUCED IN ANY WAY AND MAY NOT BE PASSED ON TO A THIRD PARTY WITHOUT WRITTEN PERMISSION. OWNERSHIP AND COPYRIGHT OF CONEC CORPORATION.	Customer:			Tolerance Unless otherwise specified 0 PLC ±0.30 1 PLC ±0.20 2 PLC ±0.10 3 PLC ±0.05 ANGLES ±1°		Scale: NTS	Dim. in mm
	Name	Title	Approval Date			Material: See Notes	
	2011	Date	Name			Title: IP67 Industrial Duplex LC Plug + Protective Cover Assembly Kit Plastic Version	
	Draw.	Mar. 04	Vincent Ke			Drawing No.: 17K1A216	
Appd.	Mar. 04	J. Chaudry	Part No.: SEE P/N ABOVE		DIN A3		
Rev.	Changes	Date	Name	Sheet 1/1			

