



Chipsmall Limited consists of a professional team with an average of over 10 year of expertise in the distribution of electronic components. Based in Hongkong, we have already established firm and mutual-benefit business relationships with customers from,Europe,America and south Asia,supplying obsolete and hard-to-find components to meet their specific needs.

With the principle of “Quality Parts,Customers Priority,Honest Operation,and Considerate Service”,our business mainly focus on the distribution of electronic components. Line cards we deal with include Microchip,ALPS,ROHM,Xilinx,Pulse,ON,Everlight and Freescale. Main products comprise IC,Modules,Potentiometer,IC Socket,Relay,Connector.Our parts cover such applications as commercial,industrial, and automotives areas.

We are looking forward to setting up business relationship with you and hope to provide you with the best service and solution. Let us make a better world for our industry!



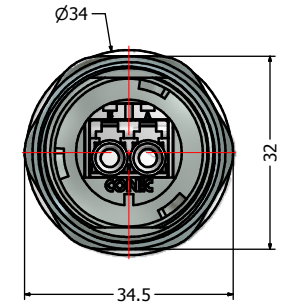
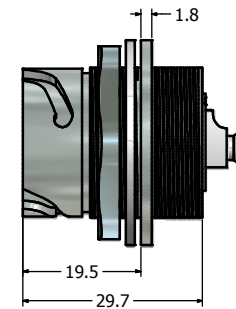
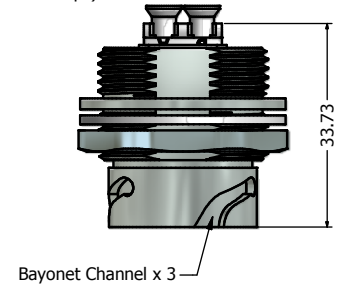
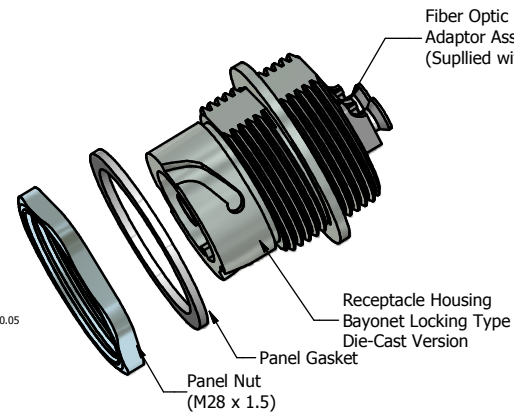
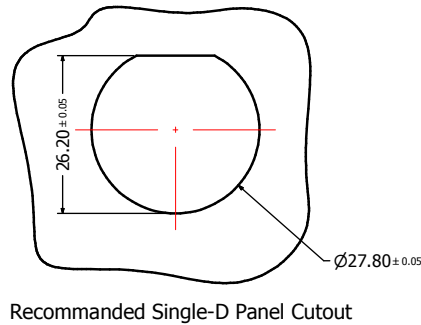
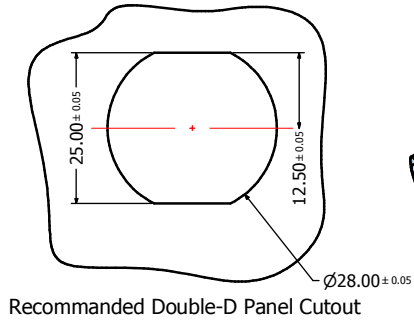
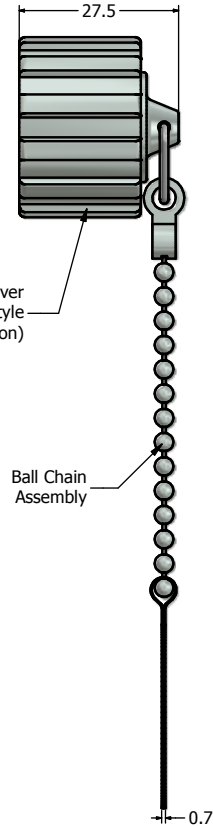
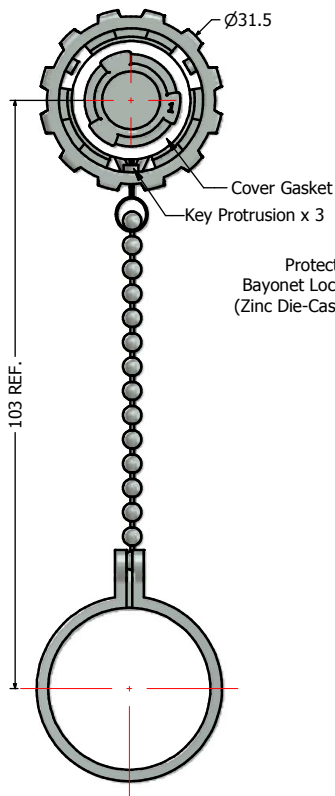
Contact us

Tel: +86-755-8981 8866 Fax: +86-755-8427 6832

Email & Skype: info@chipsmall.com Web: www.chipsmall.com

Address: A1208, Overseas Decoration Building, #122 Zhenhua RD., Futian, Shenzhen, China





Notes:

- Material and Finish:
 - Receptacle Housing & Protective Cover: Zinc Die-Cast, Nickel Plated
 - Ball Chain Assembly: Copper Alloy and Stainless Steel, Nickel Plated
 - Panel Nut: Brass, Finish: Nickel Plated
 - Panel Gasket: Silicon, Color: White
 - Duplex LC Adaptor Assembly:
 - Housing: Mod. PPO, UL94 V-0, Color: SM Blue/MM Beige/APC SM Green
 - Alignment Sleeves: SM Ceramic/MM Phosphor Bronze
 - Dust Cap: PP, Color: Neutral transparent
 - Operating Temperature: -40°C to +85°C
- Connector can be front or rear mounted to a maximum panel thickness of 3.2mm.
- IP67 rated when covered or fully mated with the appropriate mating connector

Directive 2002/95/EC RoHS Compliant

Description	Part Number
Nickel Plated Die-Cast Duplex LC Single Mode Receptacle + Cover Assembly	17-300380
Nickel Plated Die-Cast Duplex LC Multi Mode Receptacle Cover Assembly	17-300390
Nickel Plated Die-cast Duplex LC APC Single Mode Receptacle Cover Assembly	17-300400

THIS DRAWING MAY NOT BE COPIED OR REPRODUCED IN ANY MANNER WITHOUT WRITTEN PERMISSION. OWNERSHIP AND COPYRIGHT OF CONEC CORPORATION.	Customer:			Tolerance Unless otherwise specified			Scale:	Dim. in mm
	Name	Title	Approval Date	0 PLC ± 0.30	1 PLC ± 0.20		Autodesk Inventor	Material: See Notes
				2 PLC ± 0.10	3 PLC ± 0.05	2011 Date Name Draw. Nov. 09 Vincent Ke Appd. Nov. 09 J. Chaudry	Title: IP67 Industrial Duplex LC Receptacle + Cover Assembly Kit Nickel Plated Die-Cast Version	
				ANGLES ± 1'	D-old	Norm Drawing No.: 17K1A302	DIN A3	
Rev. Changes Date Name					Part No.: SEE PART NUMBER TABLE		Sheet 1/1	