



Chipsmall Limited consists of a professional team with an average of over 10 year of expertise in the distribution of electronic components. Based in Hongkong, we have already established firm and mutual-benefit business relationships with customers from,Europe,America and south Asia,supplying obsolete and hard-to-find components to meet their specific needs.

With the principle of “Quality Parts,Customers Priority,Honest Operation,and Considerate Service”,our business mainly focus on the distribution of electronic components. Line cards we deal with include Microchip,ALPS,ROHM,Xilinx,Pulse,ON,Everlight and Freescale. Main products comprise IC,Modules,Potentiometer,IC Socket,Relay,Connector.Our parts cover such applications as commercial,industrial, and automotives areas.

We are looking forward to setting up business relationship with you and hope to provide you with the best service and solution. Let us make a better world for our industry!



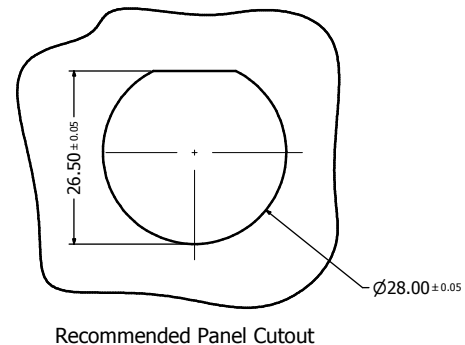
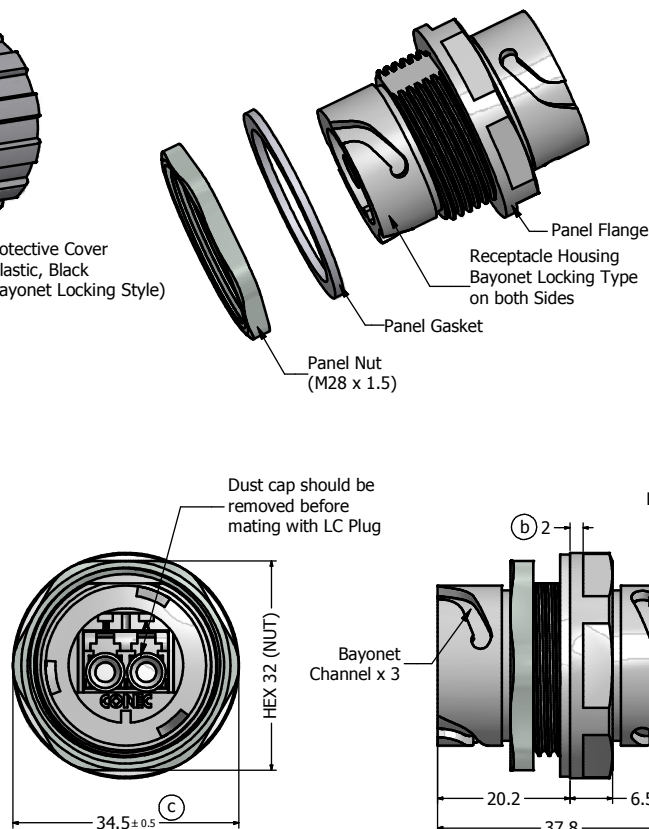
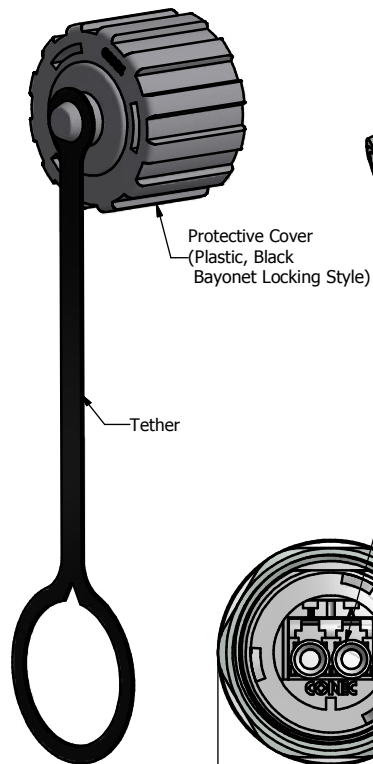
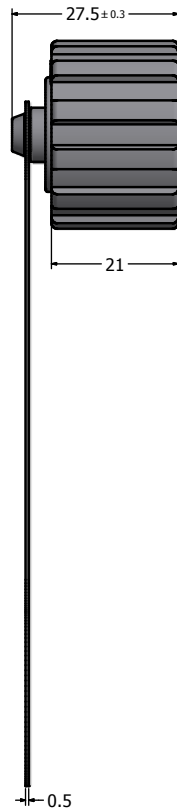
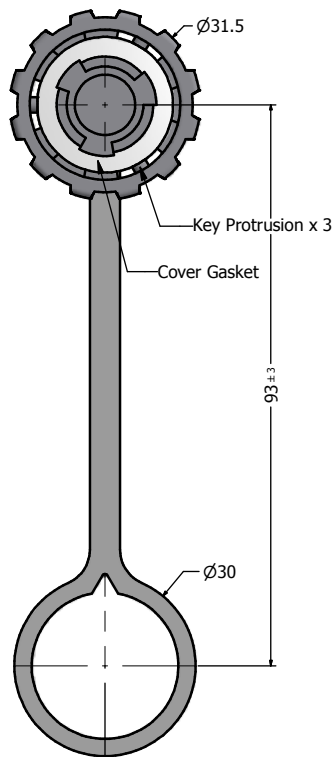
Contact us

Tel: +86-755-8981 8866 Fax: +86-755-8427 6832

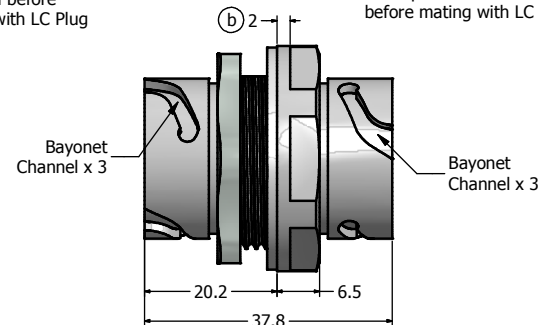
Email & Skype: info@chipsmall.com Web: www.chipsmall.com

Address: A1208, Overseas Decoration Building, #122 Zhenhua RD., Futian, Shenzhen, China





Fiber Optic Duplex LC Adaptor Assembly (Supplied with dust caps) Dust cap should be removed before mating with LC Plug



Notes:

- Material and Finish:
 - Receptacle Housing and Cover: Polyester (Black), UL94 V-0 or ABS, Nickel Plated, UL94 V-0
 - Panel Nut: Brass, Finish: Nickel Plated
 - Panel and Cover Gasket: Silicone, Color: White
 - Tether: Polycarbonate, Color: Black
 - Duplex LC Adaptor Assembly:
 - Housing: Mod. PPO, UL94 V-0, Color: **SM Blue/MM Beige/APC SM Green**
 - Alignment Sleeves: SM Ceramic/MM Phosphor Bronze
 - Dust Cap: PP, Color: Neutral transparent
 - Operating Temperature: -40°C to +85°C
- Connector can be mounted to a maximum panel thickness of 3.2mm.
- IP67 rated when covered or fully mated with the appropriate mating connector
- Recommended Mounting Panel Nut torque is 20 to 25 lb-inch

Directive 2002/95/EC RoHS Compliant

Description	Plastic Version	Metallized Version
Single Mode (SM)	17-300820	17-300940
Multi Mode (MM)	17-300830	17-300950
APC Single Mode (APC SM)	17-300840	17-300960

THIS DRAWING MAY NOT BE COPIED OR REPRODUCED IN ANY WAY AND MAY NOT BE PASSED ON TO A THIRD PARTY WITHOUT WRITTEN PERMISSION. OWNERSHIP AND COPYRIGHT OF CONEC CORPORATION.	Customer:			Tolerance Unless otherwise specified			Scale:	Dim. in mm	
	Name	Title	Approval Date	0 PLC ± 0.50	1 PLC ± 0.38		Autodesk Inventor	Material: See Notes	
				2 PLC ± 0.25	3 PLC ± 0.10			Title: IP67 Industrial Duplex LC Receptacle + Cover Assembly Kit Plastic Version with bayonet on both sides	
				ANGLES ± 7	Norm		Drawing No.: 17K1A335 Part No.: SEE PART NUMBER TABLE	DIN A3	
	Rev.	Changes	Date	Name			Sheet 1/1		