



Chipsmall Limited consists of a professional team with an average of over 10 year of expertise in the distribution of electronic components. Based in Hongkong, we have already established firm and mutual-benefit business relationships with customers from,Europe,America and south Asia,supplying obsolete and hard-to-find components to meet their specific needs.

With the principle of “Quality Parts,Customers Priority,Honest Operation,and Considerate Service”,our business mainly focus on the distribution of electronic components. Line cards we deal with include Microchip,ALPS,ROHM,Xilinx,Pulse,ON,Everlight and Freescale. Main products comprise IC,Modules,Potentiometer,IC Socket,Relay,Connector.Our parts cover such applications as commercial,industrial, and automotives areas.

We are looking forward to setting up business relationship with you and hope to provide you with the best service and solution. Let us make a better world for our industry!



## Contact us

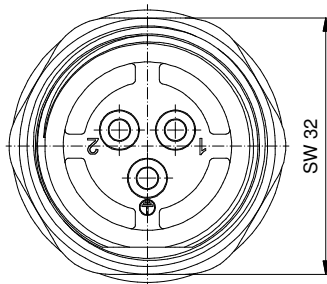
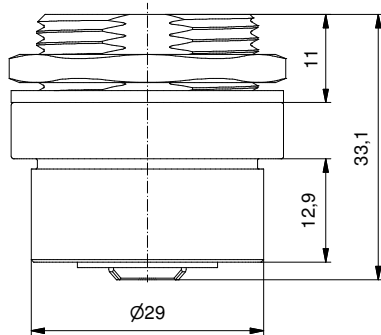
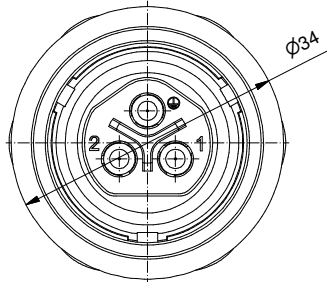
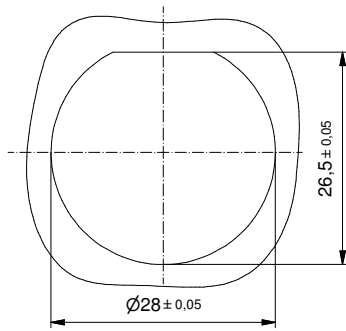
Tel: +86-755-8981 8866 Fax: +86-755-8427 6832

Email & Skype: info@chipsmall.com Web: www.chipsmall.com

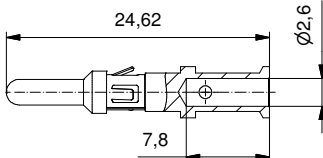
Address: A1208, Overseas Decoration Building, #122 Zhenhua RD., Futian, Shenzhen, China



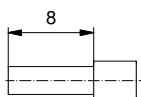
Recommended panel cut-out/  
empfohlener Montageausschnitt:



3 Contacts will be supplied loose/  
3 Kontakte werden lose geliefert



Stripping Dimensions/  
Kabelvorbereitung:

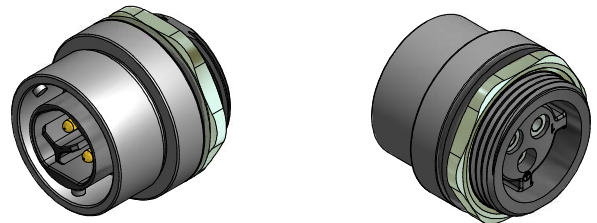


**d** **Technical specification:**  
**Technische Daten:**

Working voltage/ Betriebsspannung:	max. 250 V AC/DC
Degree of protection/ Schutzart:	IP67, rated when covered or fully mated with the appropriate mating connector/ IP67 bei Verwendung mit Kappe oder passenden Gegenstecker
Temperature range/ Temperaturbereich:	-40 °C ... +100 °C
Current rating/ Strombelastbarkeit:	High power contact crimp; 20 A/ Hochstromkontakt crimp; 20 A can be crimped with stranded copper wires: AWG 12-14/ crimpbar an Kupferlitze: AWG 12-14
UL-listed, File No./ UL-gelistet:	E318363
<b>Materials/ Werkstoffe:</b>	
Receptacle Housing/ Steckergehäuse:	PA (black/schwarz); UL 94 V-0; UL (f1) rated
Panel nut/ Überwurfmutter:	Brass; finish: Nickel plated/ Messing; Oberfläche vernickelt
Panel gasket/ Dichtung:	Silicone, white/ Silikon, weiß
High power contact/ Hochstromkontakt:	Cu alloy, Au over Ni

**Installation specification/  
Montagedaten:**

Connector kit is recommended for use with UL listed copper wires/ Stecker wird für die Verwendung mit Kupferlitzen empfohlen:	AWG 12 + AWG 14
Crimp-Tool/ Crimp-Werkzeug:	360X21079X
Tool insert/ Werkzeugeinsatz:	36-000430
Selector settings/ Selektor Einstellungen:	8 for AWG 12 7 for AWG 14
Turret Position/ Kopfposition:	12
Assembly instruction/ Montageanleitung:	AI-5042-Power
Connector can be front mounted to a maximum panel thickness: Stecker für Vorderwandmontage mit maximaler Gehäusestärke:	5,9 mm



Part no. / Part marked Art.-Nr./ Bedruckung:	17-400193	Contact plating/ Kontakt Veredelung:	Power Contact 20 A/ Hochstromkontakt 20 A:	Plating, mating area: Veredelung Steckbereich: Plating, termination side: Veredelung Anschluss Seite: Plating, protection sleeve/ Veredelung Schutzhülse:	Gold flash over Nickel Gold über Nickel Tin over Nickel Zinn über Nickel Nickel plated/ vernickelt
Index: d Ä6469 13.02.17 K.H.		Scale/Maßstab: 1,5:1 (1:1)		IP67 Power Bayonet 3pos. Plug Kit / crimp panel mount IP67 Power-Bajonett 3pol. Stecker-Kit / crimp Gehäusemontage	
Status: InBearbeitung	RoHS compliant/konform		dwg no / Z.-nr.: 17K1A425		DIN-A3 1 / 1



The reproduction, distribution and utilization of this document as well as the communication of its contents to third parties without express authorization is prohibited. Offenders will be held liable for the payment of damages. We hereby reserve all rights. Wir behalten uns alle Rechte vor. Die Vervielfältigung, Verbreitung, auch auszugsweise, ist ohne schriftliche Genehmigung der CONEC AG. Die Weitergabe an Dritte ist ohne schriftliche Genehmigung der CONEC AG.