



Chipsmall Limited consists of a professional team with an average of over 10 year of expertise in the distribution of electronic components. Based in Hongkong, we have already established firm and mutual-benefit business relationships with customers from,Europe,America and south Asia,supplying obsolete and hard-to-find components to meet their specific needs.

With the principle of “Quality Parts,Customers Priority,Honest Operation,and Considerate Service”,our business mainly focus on the distribution of electronic components. Line cards we deal with include Microchip,ALPS,ROHM,Xilinx,Pulse,ON,Everlight and Freescale. Main products comprise IC,Modules,Potentiometer,IC Socket,Relay,Connector.Our parts cover such applications as commercial,industrial, and automotives areas.

We are looking forward to setting up business relationship with you and hope to provide you with the best service and solution. Let us make a better world for our industry!



## Contact us

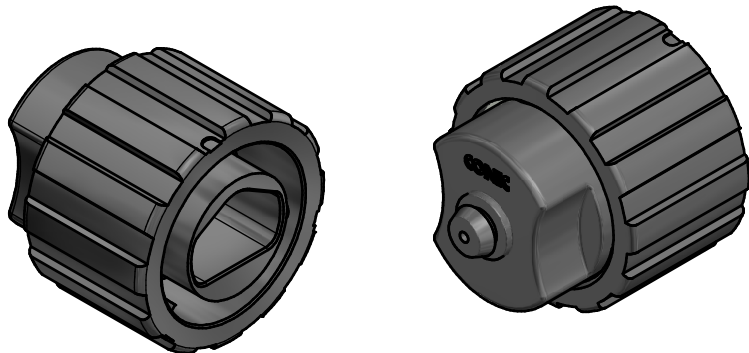
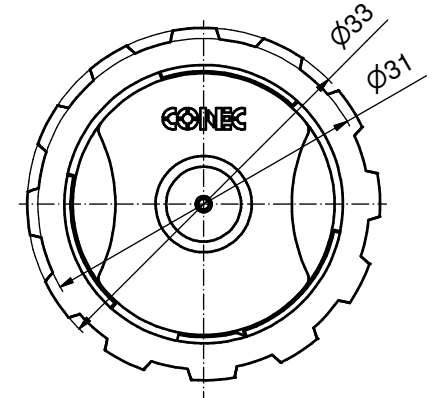
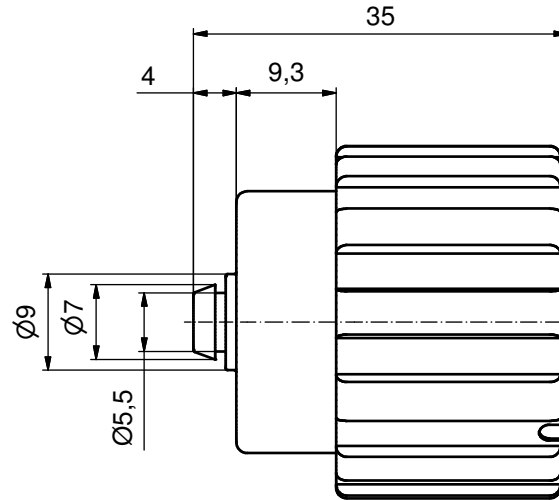
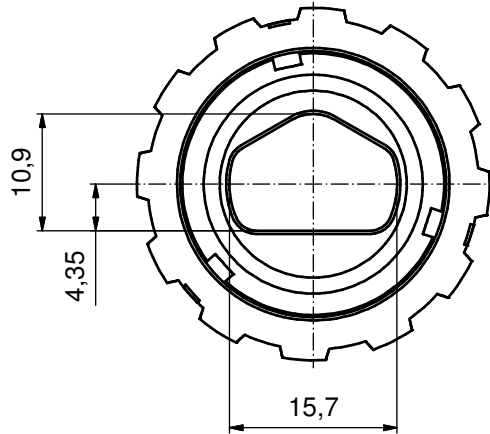
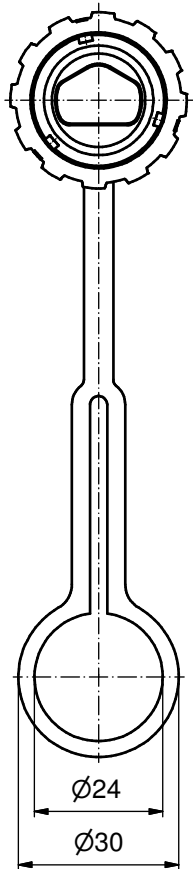
Tel: +86-755-8981 8866 Fax: +86-755-8427 6832

Email & Skype: info@chipsmall.com Web: www.chipsmall.com

Address: A1208, Overseas Decoration Building, #122 Zhenhua RD., Futian, Shenzhen, China



VIEWS WITHOUT TETHER



NOTES:

1. MATERIAL AND FINISH:
  - COUPLER RING: PA GF (BLACK); UL94 V-0; UL (f1) RATED
  - COVER HOUSING: PA GF (BLACK); UL94 V-0; UL (f1) RATED
  - TETHER: PE-SW (BLACK),
  - INTERFACIAL SEAL: SILICONE; COLOR: WHITE
  - RETAINING RING: STAINLESS STEEL
2. OPERATING TEMPERATURE: -40 °C to +85 °C
3. IP67 RATED WHEN COVERED OR FULLY MATED WITH THE APPROPRIATE MATING CONNECTOR

RoHS compliant

THIS DRAWING MAY NOT BE COPIED OR REPRODUCED IN ANY WAY, AND MAY NOT BE PASSED ON TO A THIRD PARTY WITHOUT WRITTEN PERMISSION. OWNERSHIP AND COPYRIGHT OF CONEC GmbH DO NOT ALTER CAD DRAWING BY HAND			dim. in mm		scale: 2:1 material: see notes	
			date	name	title: (b) Protective Cover for IP67 Duplex Power 2pos Female Cable Assembly	
			drawn 04.10.13	Schmidt		
			appd. 04.10.13	Strakerjahn		
			norm		dwg no:	17K1A427 DIN-A3 sh: 1
		d-old		part no:		
1 x b	Ä6182	06.06.2016	K.H.			
a	Original					
rev.	description	date	name	17-400210		