



Chipsmall Limited consists of a professional team with an average of over 10 year of expertise in the distribution of electronic components. Based in Hongkong, we have already established firm and mutual-benefit business relationships with customers from,Europe,America and south Asia,supplying obsolete and hard-to-find components to meet their specific needs.

With the principle of “Quality Parts,Customers Priority,Honest Operation,and Considerate Service”,our business mainly focus on the distribution of electronic components. Line cards we deal with include Microchip,ALPS,ROHM,Xilinx,Pulse,ON,Everlight and Freescale. Main products comprise IC,Modules,Potentiometer,IC Socket,Relay,Connector.Our parts cover such applications as commercial,industrial, and automotives areas.

We are looking forward to setting up business relationship with you and hope to provide you with the best service and solution. Let us make a better world for our industry!



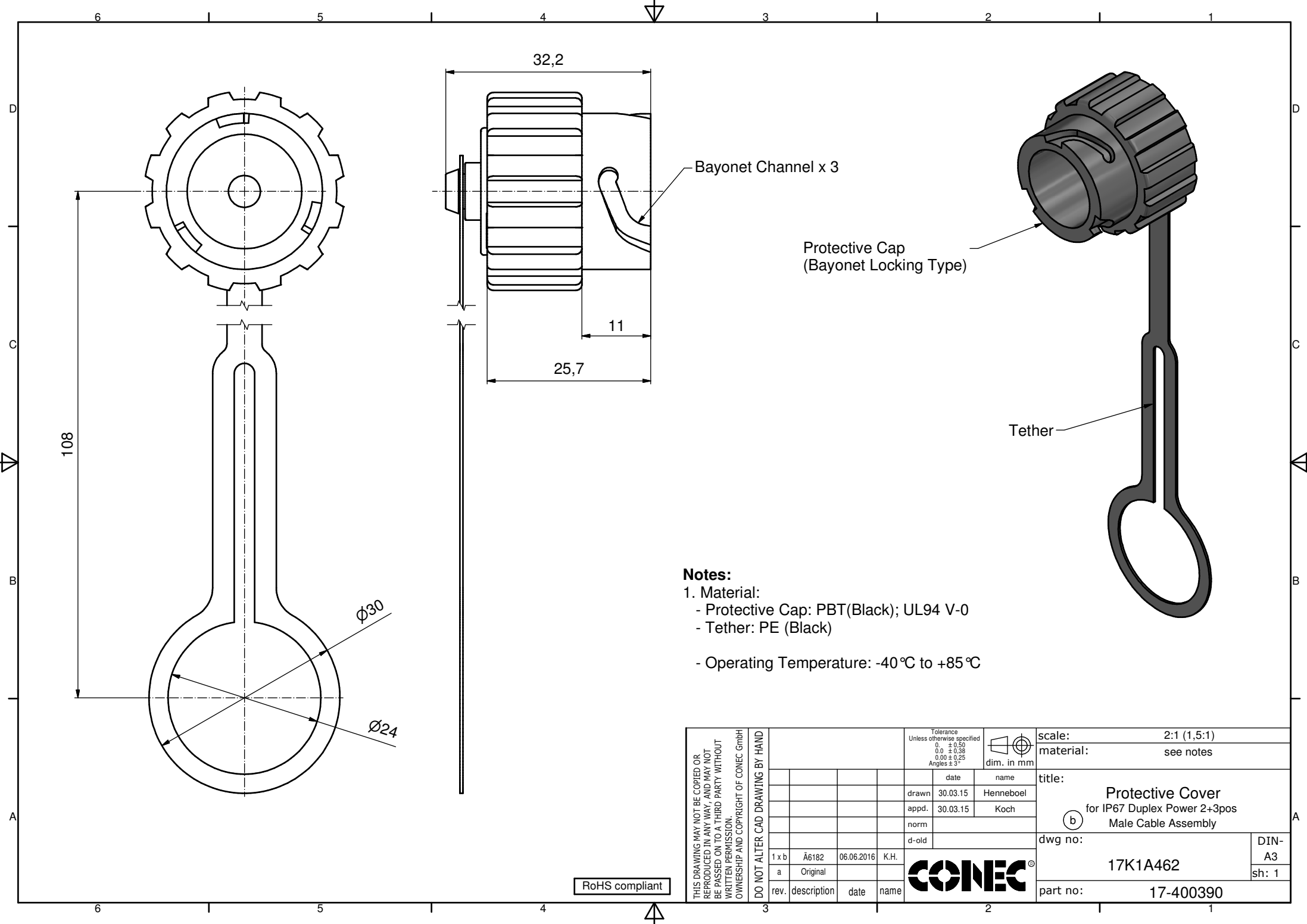
Contact us

Tel: +86-755-8981 8866 Fax: +86-755-8427 6832

Email & Skype: info@chipsmall.com Web: www.chipsmall.com

Address: A1208, Overseas Decoration Building, #122 Zhenhua RD., Futian, Shenzhen, China





Notes:

- 1. Material:
 - Protective Cap: PBT(Black); UL94 V-0
 - Tether: PE (Black)
- Operating Temperature: -40°C to +85°C

THIS DRAWING MAY NOT BE COPIED OR REPRODUCED IN ANY WAY, AND MAY NOT BE PASSED ON TO A THIRD PARTY WITHOUT WRITTEN PERMISSION. OWNERSHIP AND COPYRIGHT OF CONEC GmbH DO NOT ALTER CAD DRAWING BY HAND				Tolerance Unless otherwise specified 0. ±0.50 0.0 ±0.38 0.00 ±0.25 Angles ±3°		dim. in mm		scale: 2:1 (1,5:1) material: see notes	
				date		name		title:	
				drawn 30.03.15		Henneboel		(b) Protective Cover for IP67 Duplex Power 2+3pos Male Cable Assembly	
				appd. 30.03.15		Koch			
				norm					
			d-old				dwg no:		
1 x b			Ä6182		06.06.2016		K.H.		DIN-A3
a			Original						sh: 1
rev.			description		date		name		part no: 17-400390

RoHS compliant

