



Chipsmall Limited consists of a professional team with an average of over 10 year of expertise in the distribution of electronic components. Based in Hongkong, we have already established firm and mutual-benefit business relationships with customers from,Europe,America and south Asia,supplying obsolete and hard-to-find components to meet their specific needs.

With the principle of “Quality Parts,Customers Priority,Honest Operation,and Considerate Service”,our business mainly focus on the distribution of electronic components. Line cards we deal with include Microchip,ALPS,ROHM,Xilinx,Pulse,ON,Everlight and Freescale. Main products comprise IC,Modules,Potentiometer,IC Socket,Relay,Connector.Our parts cover such applications as commercial,industrial, and automotives areas.

We are looking forward to setting up business relationship with you and hope to provide you with the best service and solution. Let us make a better world for our industry!



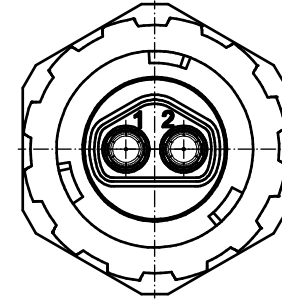
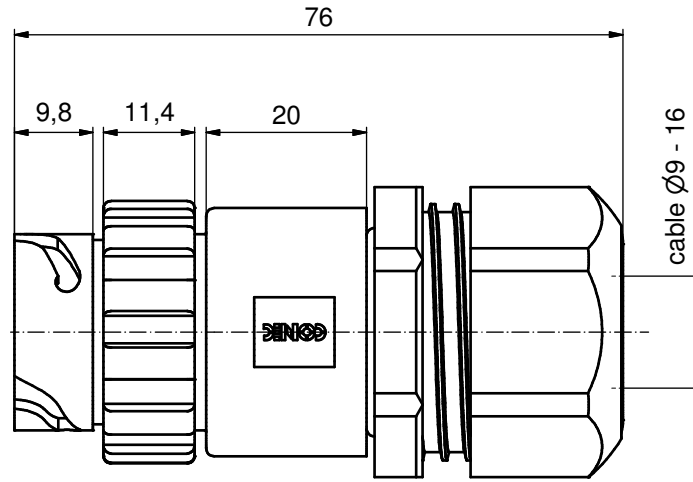
Contact us

Tel: +86-755-8981 8866 Fax: +86-755-8427 6832

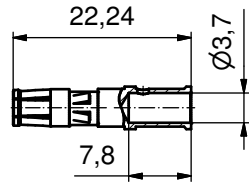
Email & Skype: info@chipsmall.com Web: www.chipsmall.com

Address: A1208, Overseas Decoration Building, #122 Zhenhua RD., Futian, Shenzhen, China

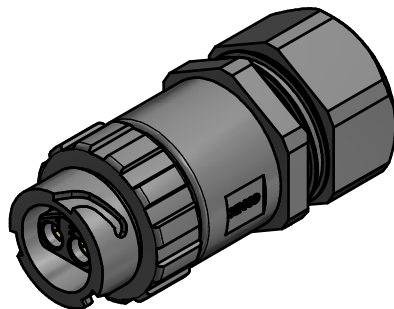
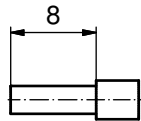




2 CONTACTS WILL BE SUPPLIED LOOSE



STRIPPING DIMENSIONS



NOTES:

1. MATERIAL AND FINISH:

- COUPLER RING: PA GF (BLACK); UL94 V-0; UL (f1) RATED
- HOUSING: PA GF (BLACK); UL94 V-0; UL (f1) RATED
- CABLE GLAND: PA (BLACK), UL94 V-0; UL (f1) RATED
- CABLE GLAND RUBBER RING: NBR; COLOR: BLACK
- CABLE FITTING: PA (BLACK); UL94 V-0; UL (f1) RATED
- INTERFACIAL SEAL: SILICONE; COLOR: RED
- RETAINING RING: STAINLESS STEEL

2. HIGH POWER CONTACTS; CRIMP; 30A


- FOR USE WITH CABLE AWG 10 -12
- MATERIAL: COPPER ALLOY
- PLATING, MATING AREA: GOLD FLASH over NICKEL
- PLATING, TERMINATION SIDE: 160-240µin TIN over 80µin NICKEL
- CONTACTS WILL BE SUPPLIED LOOSE
- CRIMPING: USE CRIMP TOOL 360X10409X WITH TOOL INSERT 360X20029X
- SELECTOR SETTINGS: 7 FOR AWG 10; 6 FOR AWG 12

3. OPERATING TEMPERATURE: -40°C to +100°C

4. WORKING VOLTAGE: 48V AC/DC

5. IP67 RATED WHEN COVERED OR FULLY MATED WITH THE APPROPRIATE MATING CONNECTOR

RoHS compliant

THIS DRAWING MAY NOT BE COPIED OR REPRODUCED IN ANY WAY, AND MAY NOT BE PASSED ON TO A THIRD PARTY WITHOUT WRITTEN PERMISSION. OWNERSHIP AND COPYRIGHT OF CONEC GmbH DO NOT ALTER CAD DRAWING BY HAND			 dim. in mm		scale: 1,5:1	
					material: see notes	
			date	name		title: IP67 POWER BAJONET 2pos SOCKET KIT / CRIMP cable mount Ø9-16mm
			drawn	30.06.15 Henneboel		
			appd.	30.06.15 Strakerjahn		
		norm			dwg no:	
		d-old				
a Original		CONEC [®]		17K1A466		DIN-A3
rev.	description			date	name	part no: 17-400433