



Chipsmall Limited consists of a professional team with an average of over 10 year of expertise in the distribution of electronic components. Based in Hongkong, we have already established firm and mutual-benefit business relationships with customers from,Europe,America and south Asia,supplying obsolete and hard-to-find components to meet their specific needs.

With the principle of “Quality Parts,Customers Priority,Honest Operation,and Considerate Service”,our business mainly focus on the distribution of electronic components. Line cards we deal with include Microchip,ALPS,ROHM,Xilinx,Pulse,ON,Everlight and Freescale. Main products comprise IC,Modules,Potentiometer,IC Socket,Relay,Connector.Our parts cover such applications as commercial,industrial, and automotives areas.

We are looking forward to setting up business relationship with you and hope to provide you with the best service and solution. Let us make a better world for our industry!



## Contact us

Tel: +86-755-8981 8866 Fax: +86-755-8427 6832

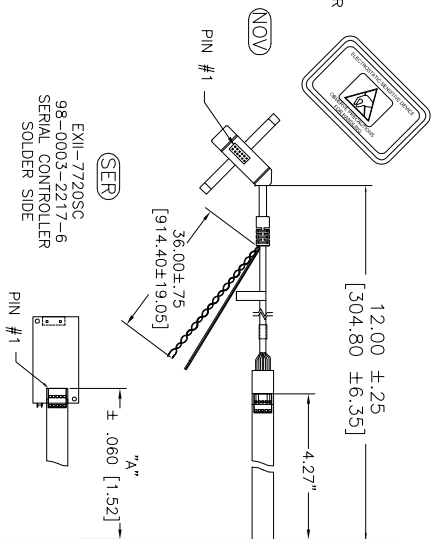
Email & Skype: info@chipsmall.com Web: www.chipsmall.com

Address: A1208, Overseas Decoration Building, #122 Zhenhua RD., Futian, Shenzhen, China



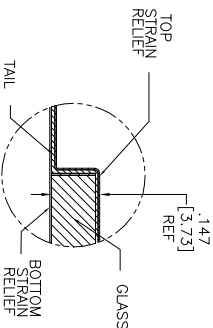
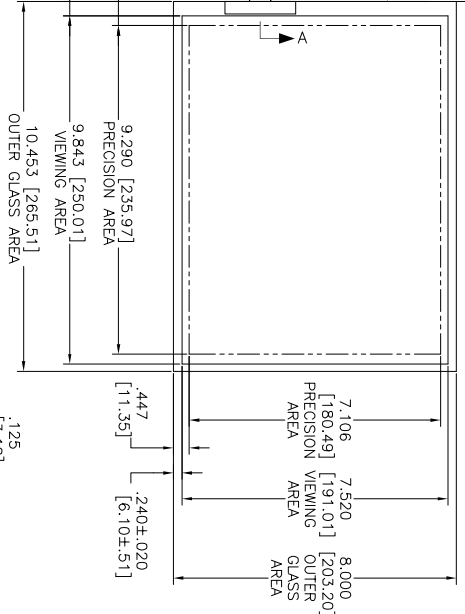
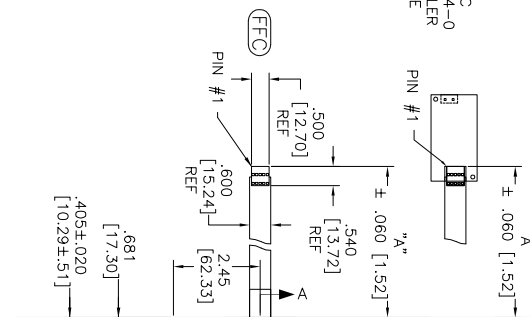
OGA DIAGONAL: 13.16 [334.34]  
 VA DIAGONAL: 12.39 [314.63]  
 PA DIAGONAL: 11.70 [297.08]

ESD CLAMSHELL CASE IS USED WITH ALL NOV, USB AND SER TERMINATIONS.



**(HID M)** EXII-7730HC 98-0003-2813-2 HID CONTROLLER SOLDER SIDE  
**(USB R)** EXII-7760UC 98-0003-2814-0 USB CONTROLLER SOLDER SIDE

**(SER)** EXII-7720SC 98-0003-2217-6 SERIAL CONTROLLER SOLDER SIDE



SECTION A-A  
SCALE: NONE

TOP LEVEL NUMBER	US NUMBER	CHINA NUMBER	TYPE	DM # (TOTAL GLASS TO CONNECTOR)	A/G FINISH	PROD. SPEC
17-8581-203	98-0003-2633-4	59-0000-0156-6	FCC	4.27" [108.46]	AG500	23655
17-8581-205	98-0003-2634-2	N/A	FCC	8.00" [203.20]	AG500	23655
17-8581-206	98-0003-2635-9	N/A	NOV	SEE DWG	AG500	23655
17-8581-221	98-0003-2637-5	59-0000-0158-2	SER	4.27" [108.46]	AG500	23655
17-8581-227	98-0003-2639-1	N/A	SER	8.00" [203.20]	AG500	23655
17-8581-218	98-0003-3272-0	59-0000-0157-4	USB R	4.27" [108.46]	AG500	23655
17-8581-230	98-0003-2994-0	59-0000-0159-0	HID M	8.00" [203.20]	AG500	23655

NOTES:

1. WEIGHT OF GLASS IN GRAMS: 411±10% HOUSING ORIENTED WITH LATCH DOWN

1.47 ±.020 [3.73 ±.51]  
TOTAL THICKNESS OF GLASS, CABLE AND STRAIN RELIEF

PINOUT	
1	LR
2	LL
3	SHLD
4	UL
5	UR

UNITS: INCHES [MM]  
 TOLERANCES UNLESS OTHERWISE SPECIFIED  
 X ±.03 [.76]  
 .XX ±.015 [.38]  
 ANGLES ±1°

3M TOUCH SYSTEMS  
 3M TOUCH SYSTEMS  
 3M TOUCH SYSTEMS  
 3M TOUCH SYSTEMS

THIS DOCUMENT IS THE PROPERTY OF THE COMPANY AND IS TO BE USED ONLY FOR THE PROJECT AND FOR OTHER THAN 3M AUTHORIZED PERSONNEL.

DATE: 9/05  
 DRAWN BY: K. CROWLEY

MARKETING DRAWING  
 SCT32NN 12.39"

REV	DESCRIPTION	DATE	BY
J	REVISED PER CO 033533	1/12	SB
H	REVISED PER CO 033455	8/11	SB
07	REVISED PER CO 030452	6/09	SB
	CHANGE NOTICE		

DO NOT SCALE DRAWING  
 SCALE: 1 = 1

DMW K. CROWLEY 9/05

SIZE: C DOCUMENT NO: 28159-MKT SHEET: 1 OF 1