



Chipsmall Limited consists of a professional team with an average of over 10 year of expertise in the distribution of electronic components. Based in Hongkong, we have already established firm and mutual-benefit business relationships with customers from,Europe,America and south Asia,supplying obsolete and hard-to-find components to meet their specific needs.

With the principle of “Quality Parts,Customers Priority,Honest Operation,and Considerate Service”,our business mainly focus on the distribution of electronic components. Line cards we deal with include Microchip,ALPS,ROHM,Xilinx,Pulse,ON,Everlight and Freescale. Main products comprise IC,Modules,Potentiometer,IC Socket,Relay,Connector.Our parts cover such applications as commercial,industrial, and automotives areas.

We are looking forward to setting up business relationship with you and hope to provide you with the best service and solution. Let us make a better world for our industry!



Contact us

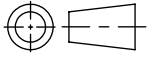
Tel: +86-755-8981 8866 Fax: +86-755-8427 6832

Email & Skype: info@chipsmall.com Web: www.chipsmall.com

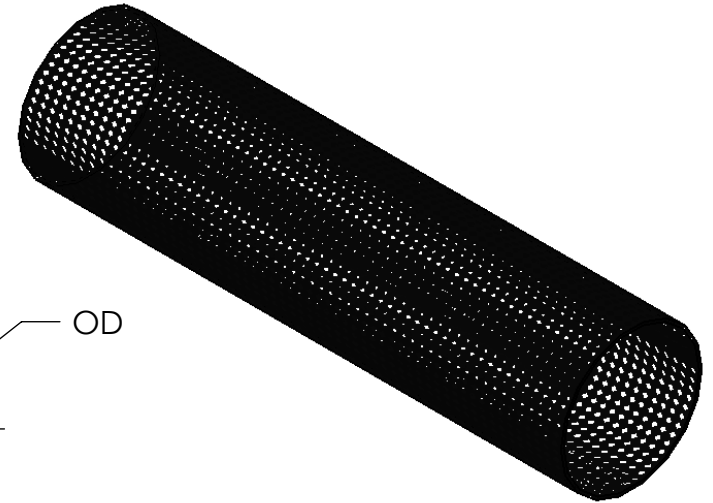
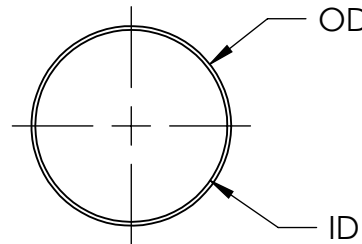
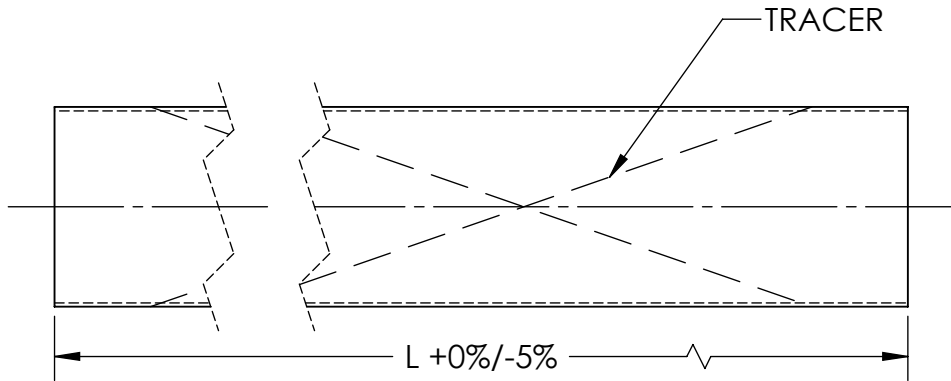
Address: A1208, Overseas Decoration Building, #122 Zhenhua RD., Futian, Shenzhen, China



SW2010



Revision level		Revision Record	Changed	Date	Approved	Date
Drawing	Part					
01	-	SEE ECN# 011861	AAC	04/12/2011	KAC	02/07/2012



PRODUCT CODE DESCRIPTION

BSPFR12_

COLOR
(CONSULT FACTORY FOR AVAILABLE COLORS)



NOMINAL SIZE	TYPE	OD	ID	EXPANSION RANGE (FOR REF ONLY)		L (FT)	BULK L (FT)
				MINIMUM	MAXIMUM		
1/8	BSPFR18_	.175	.125	.094	.25	-	1000
1/4	BSPFR14_	.30	.25	.125	.438	200	1000
1/2	BSPFR12_	.55	.50	.25	.75	100	500
3/4	BSPFR34_	.80	.75	.50	1.25	75	250
1	BSPFR10_	1.05	1.00	.63	1.63	-	250
1-1/4	BSPFR114_	1.30	1.25	.75	1.75	50	250
1-1/2	BSPFR112_	1.55	1.50	1.00	2.125	40	200

Material
PET FLAME RETARDANT

Units inches

Dimension without tolerances details to:

- .xxxx = ± .0005
- .xxx = ± .005
- .xx = ± .01
- .x = ± .03
- None = ± .06
- ∠ = ± 0.5°

The copyright of this drawing is reserved by HellermannTyton. It is issued on condition that it is not reproduced, copied, or disclosed to a third party, either wholly or in part, without the consent of HellermannTyton.

Drawn	AAC	04/12/2011	Article/Type-No	SEE CHART	Scale	1:1	
Approved	AAC	05/16/2011	Title	PET FLAME RETARDANT EXPANDABLE BRAIDED SLEEVING	Project Number	PRP11-0337	
<p>North America Email: corp@htamericas.com Web: www.hellermann.tyton.com</p>			Drawing-No	11-0337-004-CSU	Production : Phase	Format	AH
					Sheet	1/1	