



Chipsmall Limited consists of a professional team with an average of over 10 year of expertise in the distribution of electronic components. Based in Hongkong, we have already established firm and mutual-benefit business relationships with customers from,Europe,America and south Asia,supplying obsolete and hard-to-find components to meet their specific needs.

With the principle of “Quality Parts,Customers Priority,Honest Operation,and Considerate Service”,our business mainly focus on the distribution of electronic components. Line cards we deal with include Microchip,ALPS,ROHM,Xilinx,Pulse,ON,Everlight and Freescale. Main products comprise IC,Modules,Potentiometer,IC Socket,Relay,Connector.Our parts cover such applications as commercial,industrial, and automotives areas.

We are looking forward to setting up business relationship with you and hope to provide you with the best service and solution. Let us make a better world for our industry!



Contact us

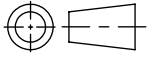
Tel: +86-755-8981 8866 Fax: +86-755-8427 6832

Email & Skype: info@chipsmall.com Web: www.chipsmall.com

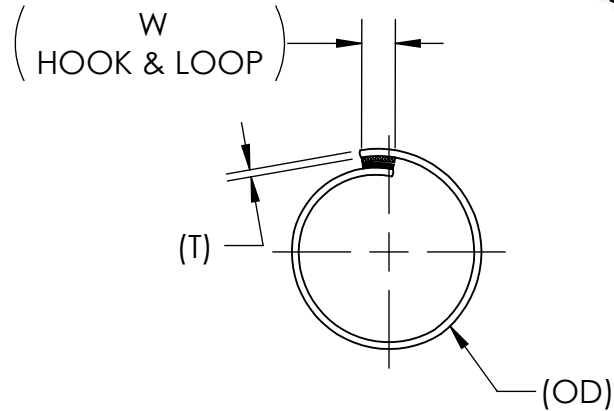
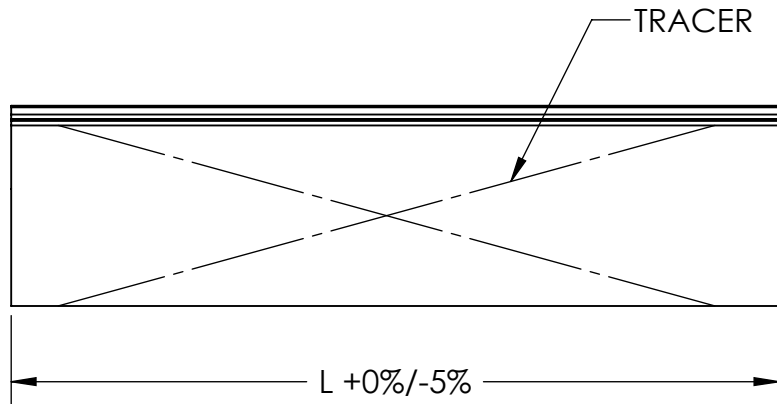
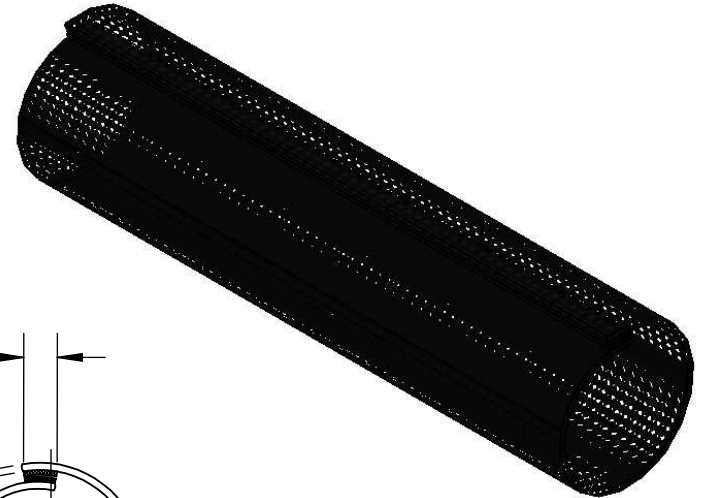
Address: A1208, Overseas Decoration Building, #122 Zhenhua RD., Futian, Shenzhen, China



SW2010



Revision level		Revision Record	Changed	Date	Approved	Date
Drawing	Part					
00	-	SEE ECN# 011861	AAC	01/26/2012	KAC	02/07/2012



NOMINAL SIZE	TYPE	(OD)	(W) HOOK AND LOOP	(T)	L (FT)
1/2	BSHKLPFR12	.500	.25	.025	100
3/4	BSHKLPFR34	.750	.63	.025	100
1 1/4	BSHKLPFR114	1.25	.63	.025	100
2	BSHKLPFR20	2.00	.63	.025	100
2 1/2	BSHKLPFR212	2.50	.63	.025	100

Material
PET FLAME RETARDANT

Units inches

Dimension without tolerances details to:

- .xxxx = ± .0005
- .xxx = ± .005
- .xx = ± .01
- .x = ± .03
- None = ± .06
- ∠ = ±0.5°

The copyright of this drawing is reserved by HellermannTyton. It is issued on condition that it is not reproduced, copied, or disclosed to a third party, either wholly or in part, without the consent of HellermannTyton.

Drawn AAC 01/26/2012

Approved KAC 02/07/2012

HellermannTyton
North America
Email: corp@htamericas.com
Web: www.hellermann.tyton.com

Article/Type-No BSHKLPFR

Title PET FLAME RETARDANT SPLIT BRAIDED SLEEVING WITH HOOK AND LOOP

Drawing-No Production : Phase

11-0337-007-CSU

Scale 1:1

Project Number PRP11-0337

Format AH

Sheet 1/1