



Chipsmall Limited consists of a professional team with an average of over 10 year of expertise in the distribution of electronic components. Based in Hongkong, we have already established firm and mutual-benefit business relationships with customers from,Europe,America and south Asia,supplying obsolete and hard-to-find components to meet their specific needs.

With the principle of "Quality Parts,Customers Priority,Honest Operation,and Considerate Service",our business mainly focus on the distribution of electronic components. Line cards we deal with include Microchip,ALPS,ROHM,Xilinx,Pulse,ON,Everlight and Freescale. Main products comprise IC,Modules,Potentiometer,IC Socket,Relay,Connector.Our parts cover such applications as commercial,industrial, and automotives areas.

We are looking forward to setting up business relationship with you and hope to provide you with the best service and solution. Let us make a better world for our industry!



Contact us

Tel: +86-755-8981 8866 Fax: +86-755-8427 6832

Email & Skype: info@chipsmall.com Web: www.chipsmall.com

Address: A1208, Overseas Decoration Building, #122 Zhenhua RD., Futian, Shenzhen, China



ARK-3360L

Intel® Atom™ N450/D510 with Multiple I/O High Value Fanless Box PC



Features

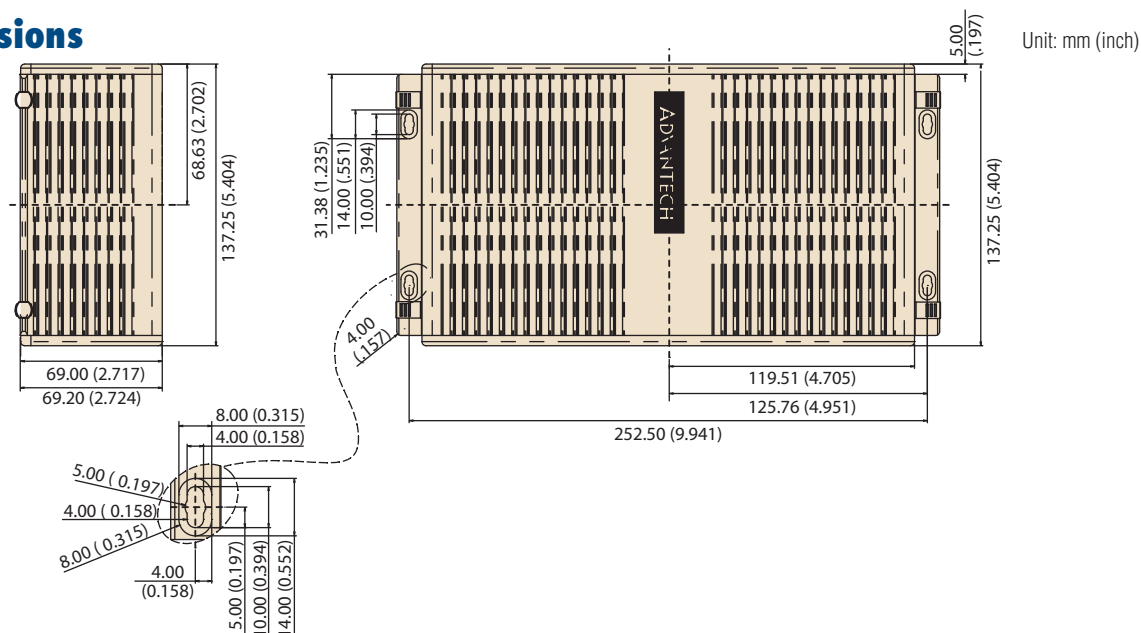
- Intel® Atom™ N450/D510 1.66 GHz Fanless Embedded Box PC
- Supports extend temperature -40 ~ 70° C (ARK-3360LZ-N4A1E)
- Mini PCIe expansion for communication module, i.e. HSDPA, WLAN
- Dual display and supports for wide screen with high resolution
- Supports up to 2 x GbE, 6 x USB 2.0 and 4 x COMs ports
- Serial port RS-485 auto-flow support
- Easy integration, easy maintenance
- Supports SUSIAccess and Embedded Software APIs
- Supports SUSIAccess and Embedded Software APIs



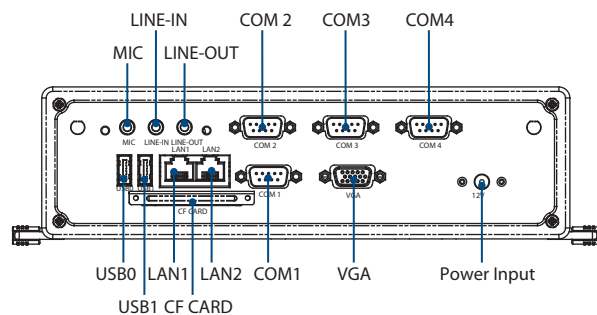
Specifications

		ARK-3360L-N4A1E	ARK-3360L-D5A1E
Processor System	CPU	Intel Atom N450 Single Core	Intel Atom D510 Dual Core
	Frequency	1.66 GHz	
	L2 Cache	512 KB	1 MB
	System Chipset	Intel ICH8-M	
	BIOS	AMI 16 Mbit Flash BIOS	
Memory	Technology	DDR2 667 MHz	
	Max. Capacity	2 GB	
	Socket	1 x 200-pin SO-DIMM	
Graphics	Chipset	Intel 3.5 Gen Integrated Graphic Engine	
	Interface	VGA: N450 up to 1400 x 1050, D510 up to 2048 x 1536 18-bit LVDS interface (Optional)	
Ethernet	LAN 1	10/100/1000 Mbps Intel 82567V GbE, support Wake On LAN	
	LAN 2	10/100/1000 Mbps Intel 82583V GbE, support Wake On LAN	
Audio	Amplifier	-	
	Interface	Line-in, Line-out, Mic-in	
IO interface	Serial Interface	3 x RS-232 port, 1 x RS-232/422/485 port w/Auto flow control	
	USB Interface	6 x USB ports, Compliant with USB 2.0	
Other	Digital I/O	8-bits	
	Watchdog timer	255-level timer interval, setup by software	
Expansion	Mini PCI	-	
	Mini PCIe	1 x full-size Mini PCIe	
Storage	HDD	Supports 1 x SATA 2.5" HDD Bay (support 9.5 mm height only)	
	SSD	Supports CompactFlash socket for type I/II CompactFlash disk	
Software Support	Microsoft Windows	Windows 7, XP Professional, XP Embedded, WinCE 6.0	
	Linux	Ubuntu 10.04, QNX 6.5, Vxwork 6.8	
Power Requirement	Power Type	AT/ATX	
	Power Input Voltage	12 V _{DC} , ± 10%	
	Minimum Power Input	12 V, 1.12 A	
	Power Adapter	AC to DC, DC 12 V/3.0 A, 36 W (Optional)	
Power Consumption	Typical	11 W (with Intel Atom D510 at 1.66 GHz)	
	Max.	15 W (with Intel Atom D510 at 1.66 GHz)	
Mechanical	Construction	Aluminum housing	
	Mounting	DIN-rail mounting, Desk/wall-mounting	
	Dimensions (W x H x D)	264.5 mm x 69.2 mm x 137.25 mm (10.41" x 2.72" x 5.4")	
	Weight	2 kg (4.4 lb)	
Environment	Operating Temperature	With extended temperature peripherals: -20 ~ 60° C (-4 ~ 140°F); -40 ~ 70° C (-40 ~ 158° F) for ARK-3360LZ-N4A1E With 2.5-inch hard disk 0 to 45° C (32 ~ 112° F), with 0.7m/s air flow	
	Storage Temperature	-40 ~ 85° C (-40 ~ 185°F)	
	Relative Humidity	95% @ 40° C (non-condensing)	
	Vibration Loading During Operation	With CompactFlash disk: 5 Grms, IEC 60068-2-64, random, 5 ~ 500 Hz, 1 Oct./min, 1 hr/axis. With 2.5-inch hard disk: 1 Grms, IEC 60068-2-64, random, 5 ~ 500 Hz, 1 Oct./min, 1 hr/axis.	
	Shock During Operation	With CompactFlash disk: 50 G, IEC 60068-2-27, half sine, 11 ms duration With hard disk: 20 G, IEC 60068-2-27, half sine, 11 ms duration	
	EMC	CE/FCC Class A, CCC, BSMI, KC	
	Safety Certifications	UL, CCC, BSMI, KC	

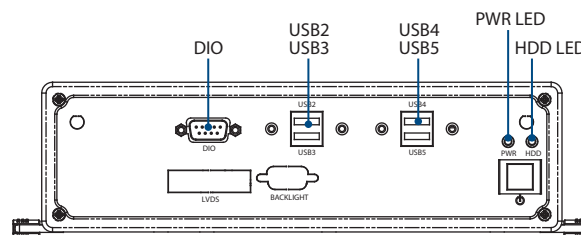
Dimensions



Front Panel External I/O Mechanical Layout/Drawing



Rear Panel External I/O Mechanical Layout/Drawing



Ordering Information

Part No.	CPU	VGA	GbE	USB 2.0	RS-232	RS-232/422/485	DIO	Audio	Full-size MiniPCIe	CF	2.5" SATA/II HDD Bay	Power Input	Operation Temp.
ARK-3360L-N4A1E	Intel Atom N450 1.66 GHz	Yes	2	6	3	1	8-bits	Lin-out, Line-in, MIC	1	1	1	12VDC	-20 ~ 60° C
ARK-3360L-D5A1E	Intel Atom D510 1.66 GHz	Yes	2	6	3	1	8-bits	Lin-out, Line-in, MIC	1	1	1	12VDC	-20 ~ 60° C
ARK-3360LZ-N4A1E	Intel Atom N450 1.66 GHz	Yes	2	6	3	1	8-bits	Lin-out, Line-in, MIC	1	1	1	12VDC	-40 ~ 70° C

Packing List

Part Number	Description
-	1 x ARK-3360 Unit
-	1 x Driver/Utility CD/Manual
-	1 x User Manual (Simplified Chinese)
1960047289T001	Power adapter locker

Embedded OS

Part Number	Description
2070009030	XPE WES2009 V4.0 ENG
2070009031	XPE WES2009 V4.0 MUI24

Optional Items

Part Number	Description
96PSA-A36W12R1	AC-to-DC Adapter, DC 12V 3A 36W
96PSA-A60W12R1-1	AC-to-DC Adapter, DC 12V 5A 60W
1700008921	Power cable 3-Pin 180cm, with PSE for 96PSA-A36W12R1
170203180A	Power cable 3-Pin 180cm, UK type, for 96PSA-A36W12R1
170203183C	Power cable 3-Pin 180cm, EU type for 96PSA-A36W12R1
1700001524	Power cable 3-Pin 180cm, USA type for 96PSA-A36W12R1
1702002600	Power cable 3-pin 180cm, USA type, for 96PSA-A60W12R1-1
1702002605	Power cable 3-pin 180cm, EU type, for 96PSA-A60W12R1-1
1702031801	Power cable 3-pin 180cm, UK type, for 96PSA-A60W12R1-1
1960025333N011	VESA mounting bracket
9666K10000E	DIN-rail mounting kit