



Chipsmall Limited consists of a professional team with an average of over 10 year of expertise in the distribution of electronic components. Based in Hongkong, we have already established firm and mutual-benefit business relationships with customers from,Europe,America and south Asia,supplying obsolete and hard-to-find components to meet their specific needs.

With the principle of “Quality Parts,Customers Priority,Honest Operation,and Considerate Service”,our business mainly focus on the distribution of electronic components. Line cards we deal with include Microchip,ALPS,ROHM,Xilinx,Pulse,ON,Everlight and Freescale. Main products comprise IC,Modules,Potentiometer,IC Socket,Relay,Connector.Our parts cover such applications as commercial,industrial, and automotives areas.

We are looking forward to setting up business relationship with you and hope to provide you with the best service and solution. Let us make a better world for our industry!



## Contact us

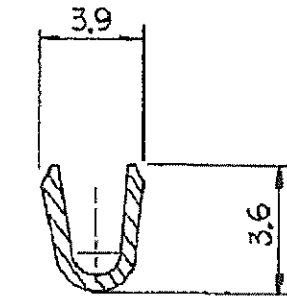
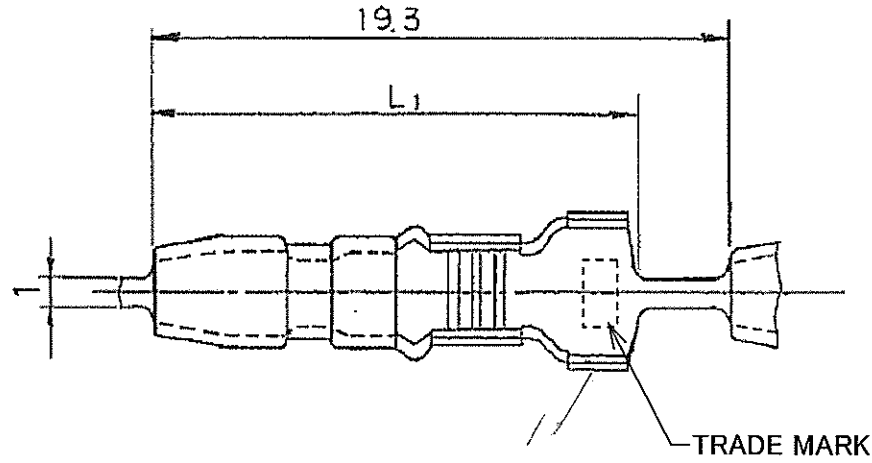
Tel: +86-755-8981 8866 Fax: +86-755-8427 6832

Email & Skype: info@chipsmall.com Web: www.chipsmall.com

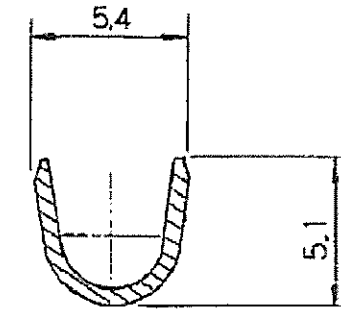
Address: A1208, Overseas Decoration Building, #122 Zhenhua RD., Futian, Shenzhen, China



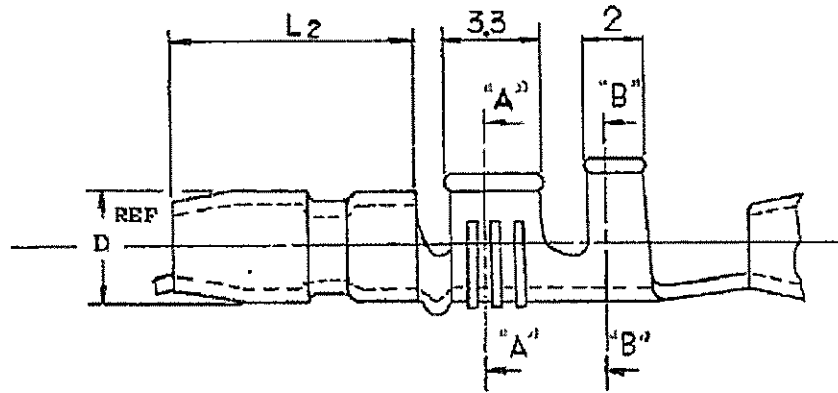
C-170002



SECT. A-A



SECT. B-B



NOTE

- △ THESE ITEMS ARE FOR USE OTHER THAN IN JAPAN.
- ② GENERAL TOLERANCES; ±0.4
- ③ OBSOLETE PARTS: OBSOLETE CIS STREAMLINING PER D.RENAUD/D.SINISI

注記

- △ 海外向け製品。
- ② 一般公差; ±0.4

PART NO.	LOOSE	PCS NO	L1 DIM	L2 DIM	D DIM	QTY/REEL	PROD SPEC NO.	MATERIAL	FINISH	
170002-8	---	---	17.0	8.7	4.0	7000	108-5003	BRASS	PRE-TIN	
△ 3-170002-4	---	---	17.0	8.7	4.0	15000	108-5003	PHOS-BZ	POST-TIN	
△ 3-	↑	-3	---	17.0	8.7	4.0	15000	-5003	---	
△ 3-	---	-2	---	15.8	7.3	3.5	15000	-5004	POST-TIN	
△ 3-	---	-1	---	15.8	7.3	3.5	15000	-5004	PHOS-BZ	
OBSOLETE	---	5	---	17.0	8.7	4.0	20000	-5003	BRASS	
△ 3	---	7	---	15.8	7.3	3.5	25000	-5004	---	
OBSOLETE	---	6	---	17.0	8.7	4.0	25000	-5003	---	
OBSOLETE	---	5	---	17.0	8.7	4.0	25000	-5003	---	
OBSOLETE	---	4	---	17.0	8.7	4.0	20000	-5003	POST-TIN	
△ 3	---	2	---	15.8	7.3	3.5	20000	-5004	POST-TIN	
---	---	1	---	15.8	7.3	3.5	20000	-5004	---	
---	---	7	△	170020-4	15.8	7.3	3.5	7000	-5004	---
---	---	5	↑	-3	17.0	8.7	4.0	5000	-5003	---
---	---	4	↓	-2	17.0	8.7	4.0	7000	-5003	POST-TIN
170002-2	---	---	15.8	7.3	3.5	7000	108-5004	BRASS	POST-TIN	

OBSOLETE	△ 3
OBSOLETE	---
OBSOLETE	---
OBSOLETE	△ 3

WIRE RANGE		INSULATION DIA.		NAME	
25-27 AWG #14		2.5-3.8 mm		シエアプラグ SHUR PLUG	
MATERIAL		FINISH		SIZE LOC # (NO)	
SEE TABLE		SEE TABLE		C J C-170002	
DR. H. Reten 2/11/85		DE		REV. R2	
CHK. H. Reten 2/11/85		APP. H. Reten 2/11/85		SHEET 1-1	

R2	REVISED PER ECO-11-005030	RK	HMR	22MAR11
LTR	REVISION RECORD	DR.	CHK.	DATE

