



Chipsmall Limited consists of a professional team with an average of over 10 year of expertise in the distribution of electronic components. Based in Hongkong, we have already established firm and mutual-benefit business relationships with customers from,Europe,America and south Asia,supplying obsolete and hard-to-find components to meet their specific needs.

With the principle of “Quality Parts,Customers Priority,Honest Operation,and Considerate Service”,our business mainly focus on the distribution of electronic components. Line cards we deal with include Microchip,ALPS,ROHM,Xilinx,Pulse,ON,Everlight and Freescale. Main products comprise IC,Modules,Potentiometer,IC Socket,Relay,Connector.Our parts cover such applications as commercial,industrial, and automotives areas.

We are looking forward to setting up business relationship with you and hope to provide you with the best service and solution. Let us make a better world for our industry!



Contact us

Tel: +86-755-8981 8866 Fax: +86-755-8427 6832

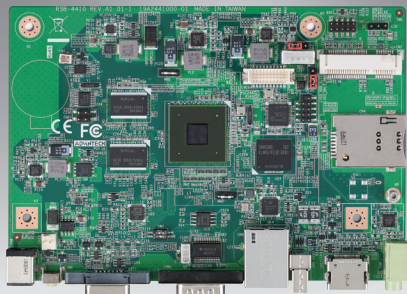
Email & Skype: info@chipsmall.com Web: www.chipsmall.com

Address: A1208, Overseas Decoration Building, #122 Zhenhua RD., Futian, Shenzhen, China



RSB-4410

Freescale ARM Cortex-A9 i.MX6 SBC



Features

- Freescale Cortex-A9 i.MX6 Dual/Quad core 1.0 GHz
- On-board DDR3 Up to 2GB & 4 GB eMMC NAND Flash
- Supports full HD 1080P H/W video codec engine
- Networking capability of Giga LAN, WiFi, 3G
- Low power consumption
- Supports Linux BSP V3.0.35/ Android 4.2.2



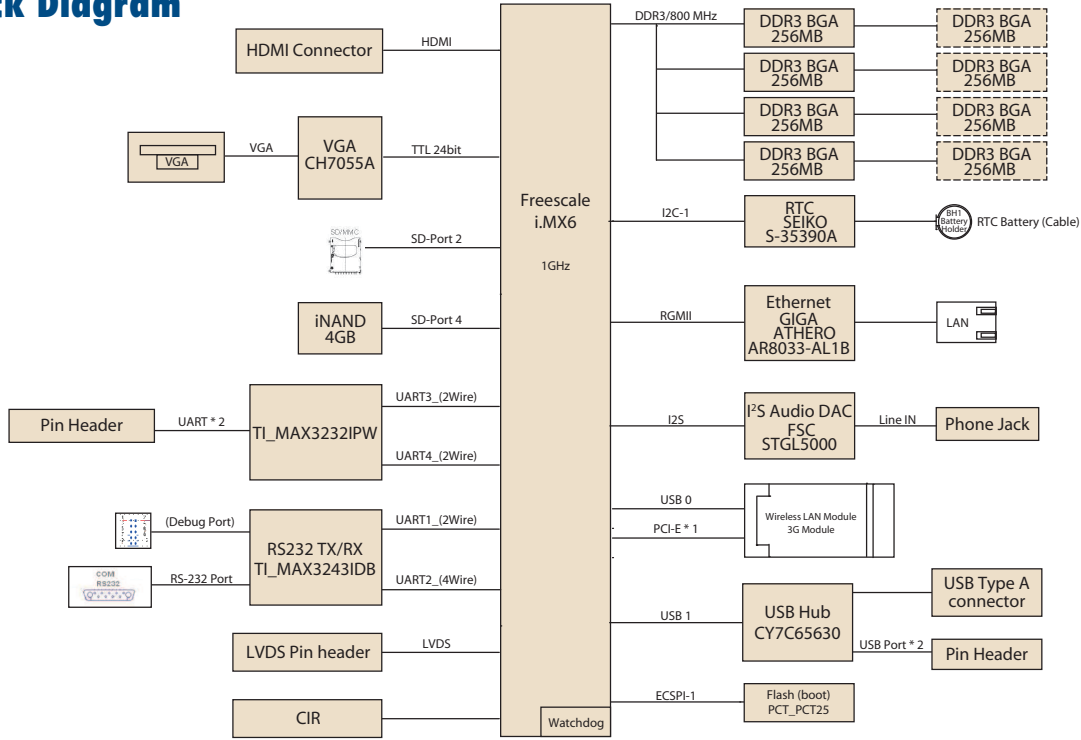
Introduction

RSB-4410 is an Advantech RISC 3.5" SBC powered by Freescale ARM® Cortex-A9 i.MX6 high performance processor, which provide sufficient power for Full HD video encoding/decoding, and also support Gigabit Ethernet for networking. RSB-4410 also supports miniPCIe and SIM card slot for WiFi and 3G module. Advantech will provide Linux BSP V3.0.35 or Android BSP 4.2.2 for customer building up their own application software.

Specifications

Form Factor		3.5" SBC
Processor System	CPU	Freescale ARM Cortex-A9 i.MX6 Dual 1GHz Freescale ARM Cortex-A9 i.MX6 Quad 1GHz
	Technology	DDR3 1066 MHz
	Capacity	On-board DDR3 1GB On-board DDR3 2GB
	Flash	4 GB eMMC NAND Flash for O.S. and 4 MB SPI NOR Flash for Advantech boot loader
Graphics	LVDS	1 single channel 18/24-bit LVDS
	HDMI	1
	VGA	1
	Graphics Engine	3 IPUs, OpenGL ES 2.0 for 3D, BitBlit for 2D and OpenVG 1.1
	H/W Video Codec	Decoder: MPEG-4 ASP, H.264 HP, H.263, MPEG-2 MP, MJPEG BP Encoder: MPEG-4 SP, H.264 BP, H.263, MJPEG BP
Ethernet	Chipset	Freescale i.MX6 integrated RGMII
	Speed	1 x 10/100/1000 Mbps
WatchDog Timer		256-level timer interval, from 0 ~ 128 sec
I/O	SATA	-
	SATA Power	-
	USB	1 x USB Type A and 2 x USB pin header
	Audio	1 x Line-out
	SPDIF	-
	SDIO	-
	Serial Port	2 x 2 wires RS-232 pin header 1 x 4 wires RS-232, DB9
	SPI	-
	CAN	-
	GPIO	-
	I2C	-
	System Bus	-
	Touch	-
	I/R	1 I/R remote control pin header
Button	1 x Reset button	
Expansion	Mini PCIe	1 x mini PCIe slot
	SD Socket	1 x SD slot
	SIM	1 x SIM slot
Power	Power Supply Voltage	12 V
	Power Type	DC-in
	Power Consumption	2.3 Watts
Environment	Operational Temperature	0 ~ 60° C / -40 ~ 85° C
	Operating Humidity	5%-95% Relative Humidity, non-condensing
Mechanical	Dimensions (W x D)	146 x 102 x 20 mm
Operating System		Linux V3.0.35/ Android 4.2.2
Certifications		CE/FCC Class B

Block Diagram



Ordering Information

Part No.	CPU	Memory	Flash	HDMI	VGA	LVDS	LAN	Serial Port	SATA	USB Host	System bus	SD	CANbus	Operating Temperature
RSB-4410CD-MDA1E	Freescale i.MX6 Dual 1 GHz	1 GB	4 GB	1	1	1	1	2 x 2 wire RS-232, 1 x RS-232	-	3	-	1	-	0 ~ 60° C
RSB-4410WD-MDA1E	Freescale i.MX6 Dual 1 GHz	1 GB	4 GB	1	1	1	1	2 x 2 wire RS-232, 1 x RS-232	-	3	-	1	-	-40 ~ 85° C
RSB-4410CQ-MEA1E	Freescale i.MX6 Quad 1GHz	2 GB	4 GB	1	1	1	1	2 x 2 wire RS-232, 1 x RS-232	-	3	-	1	-	0 ~ 60° C

Packing List

Part Number	Description	Quantity
RSB-4410	RSB-4410 SBC	1

Optional Accessories

Part Number	Description
96PSA-A36W12R1	Adapter 100-240 36W 12V 3A 9NA0362308
170203183C	Power Code 3P Europe (WS-010+WS-083)183cm
170203180A	Power Cord 3P UK 2.5A/3A 250V 1.83M
1700001524	Power Cord 3P UL 10A 125V 180cm
1960051438N001	Cooler I-NB-ICH7 S-3W 31x31x12-WC DAC-BC05 40C
96LEDK-A070WV35NB1	Panel G070VW01 V1
1700021565-01	Debug cable
1700018730	USB cable
1700022161-01	UART cable
1700022130-01	LVDS cable
1700022131-01	Backlight cable