



Chipsmall Limited consists of a professional team with an average of over 10 year of expertise in the distribution of electronic components. Based in Hongkong, we have already established firm and mutual-benefit business relationships with customers from,Europe,America and south Asia,supplying obsolete and hard-to-find components to meet their specific needs.

With the principle of “Quality Parts,Customers Priority,Honest Operation,and Considerate Service”,our business mainly focus on the distribution of electronic components. Line cards we deal with include Microchip,ALPS,ROHM,Xilinx,Pulse,ON,Everlight and Freescale. Main products comprise IC,Modules,Potentiometer,IC Socket,Relay,Connector.Our parts cover such applications as commercial,industrial, and automotives areas.

We are looking forward to setting up business relationship with you and hope to provide you with the best service and solution. Let us make a better world for our industry!



## Contact us

Tel: +86-755-8981 8866 Fax: +86-755-8427 6832

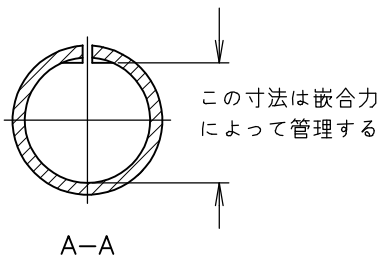
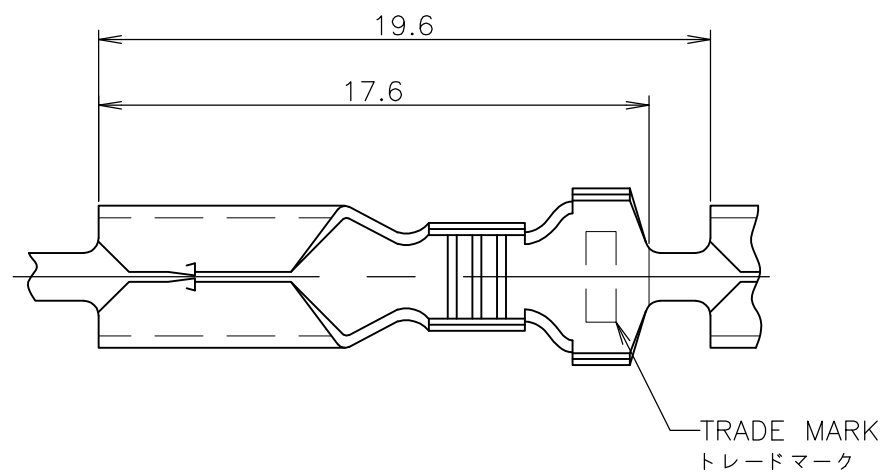
Email & Skype: info@chipsmall.com Web: www.chipsmall.com

Address: A1208, Overseas Decoration Building, #122 Zhenhua RD., Futian, Shenzhen, China



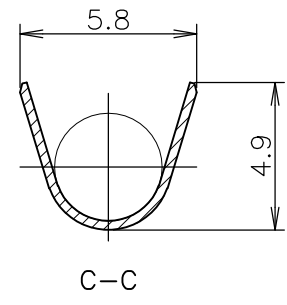
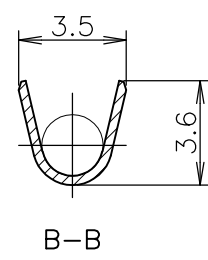
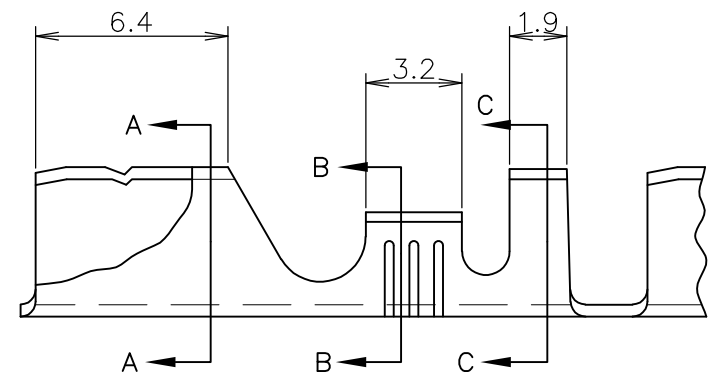
THIS DRAWING IS UNPUBLISHED. RELEASED FOR PUBLICATION SEP, 2000.  
 © COPYRIGHT 2000 By Tyco Electronics Japan G.K. ALL RIGHTS RESERVED.

REVISIONS 変更					
P	LTR	DESCRIPTION	DATE	DWN	APVD
	Y	REDRAWN ECR-11-012298	15JUN2011	T.T	T.M
	Y1	REVISED PER ECR-17-000563	17JAN2017	RS	FV



CONTROLLED DIMENSION TO KEEP INSERTION FORCE AND EXTRACTION FORCE

\*- -\*; AS SHOWN



9-170003-5	—#—	7000	108-5003	—#— △
170003-6	—#—	7000	108-5003 準拠 △	NON ACID CLEANING 酸洗処理なし
2-170003-5	—#—	24000	108-5003	—#— △
1-170003-5	—#—	25000	108-5003	—#— △
1-170003-4	—#—	24000	108-5003	POST-TIN 電気錫めっき
170003-5	170021-3	7000	108-5003	—#— △
170003-4	170021-2	7000	108-5003	POST-TIN 電気錫めっき
PARTS NUMBER 端子型番	L/P PARTS NUMBER L/P 型番	QTY/REEL 1リール当り数量	PRODUCT SPEC 製品規格番号	FINISH 仕上げ

- △ 1st EXTRACTION FORCE :14.7~44.1N (1.5~4.5kgf)  
(APPLICABLE CONTACT P/N 170002-4)
- △ STRESS RELIEVING  
FINISH IS SUBJECT TO CHANGE BY THE TYPE OF STRESS RELIEVING PROCESS.  
INERT GAS FURNACE -- MATTE  
ATMOSPHERIC FURNACE FOLLOWED BY ACID PICKLE -- BRIGHT
- △ ~~WITH PAPER LAYER~~

- △ 初回引抜力: 14.7~44.1N (1.5~4.5kgf)  
(嵌合相手 P/N: 170002-4)
- △ ストレス除去処理  
処理法により外観が変わります。  
不活性ガス加熱方法...無光沢  
大気加熱方式 ...光沢
- △ 中間紙あり

THIS DRAWING IS A CONTROLLED DOCUMENT.	
DIMENSIONS: 単位: 耗 mm	TOLERANCES UNLESS OTHERWISE SPECIFIED: 一般公差
	0 PLC ±- ±0.4 1 PLC ±- ±1.0 2 PLC ±- ±1.0 3 PLC ±- ±1.0 4 PLC ±- ±1.0 ANGLES ±-
MATERIAL 材料 BRASS THK 0.4 黄銅 板厚 0.4	FINISH 仕上 SEE TABLE 表参照

DWN T.TSUZAKI 15JUN2011	CHK T.MASUDA 15JUN2011	APVD T.MASUDA 15JUN2011
PRODUCT SPEC 製品規格 108-5003		
APPLICATION SPEC 取付適用規格		
WEIGHT 0.000000	CUSTOMER DRAWING	

WIRE RANGE 抱合電線断面積 AWG#20~#14 0.50~2.27 mm²	INSULATION DIA 被覆外径 2.5~3.8 mmφ	TE Connectivity 5 DIA SHUR PLUG RECEPTACLE Ø5 シェア プラグ リセプタクル	
SIZE A3	CAGE CODE 00779		
SCALE 尺度 NONE		SHEET 1 OF 1	REV Y1