



Chipsmall Limited consists of a professional team with an average of over 10 year of expertise in the distribution of electronic components. Based in Hongkong, we have already established firm and mutual-benefit business relationships with customers from,Europe,America and south Asia,supplying obsolete and hard-to-find components to meet their specific needs.

With the principle of “Quality Parts,Customers Priority,Honest Operation,and Considerate Service”,our business mainly focus on the distribution of electronic components. Line cards we deal with include Microchip,ALPS,ROHM,Xilinx,Pulse,ON,Everlight and Freescale. Main products comprise IC,Modules,Potentiometer,IC Socket,Relay,Connector.Our parts cover such applications as commercial,industrial, and automotives areas.

We are looking forward to setting up business relationship with you and hope to provide you with the best service and solution. Let us make a better world for our industry!



## Contact us

Tel: +86-755-8981 8866 Fax: +86-755-8427 6832

Email & Skype: info@chipsmall.com Web: www.chipsmall.com

Address: A1208, Overseas Decoration Building, #122 Zhenhua RD., Futian, Shenzhen, China





## Comair Rotron Specification Sheet

Specification Date: Dec 12, 2017

Version: 02

COMAIR ROTRON PART NUMBER: 17000539A  
COMAIR ROTRON MODEL NUMBER: CREC1238-4000

---

### A.) MOTOR:

RATED VOLTAGE:	100~240VAC $\pm$ 10%
OPERATING VOLTAGE RANGE:	90~264VAC
LOW-START VOLTAGE:	80VAC
RUNNING CURRENT:	0.11~0.18 Amps
OPERATING FREQUENCY:	50~60Hz
INPUT POWER:	10 Watts
NOMINAL SPEED:	4,000 RPM $\pm$ 5% (At Free Delivery)
MOTOR TYPE:	Brushless EC
MOTOR PROTECTION:	By Integrated Circuit
LOCKED ROTORT PROTECTION:	IC protected
POLARITY PROTECTION:	Yes
AUTOMATIC RESTART CAPABILITY:	By Integrated Circuit
ROTATION:	Counter Clockwise when viewed from the impeller

### B.) MECHANICAL

DIMENSIONS:	120mm x120mm x 38mm
WEIGHT:	370g
BEARING TYPE:	Permanently Lubricated Ball Bearings
VENTURI:	Die Cast magnesium alloy, ED coating and powder coating
PROPELLER:	P.B.T+30%GF(Glass fiber) UL 94V-0



# Comair Rotron Specification Sheet

Specification Date: Dec 12, 2017

Version: 02

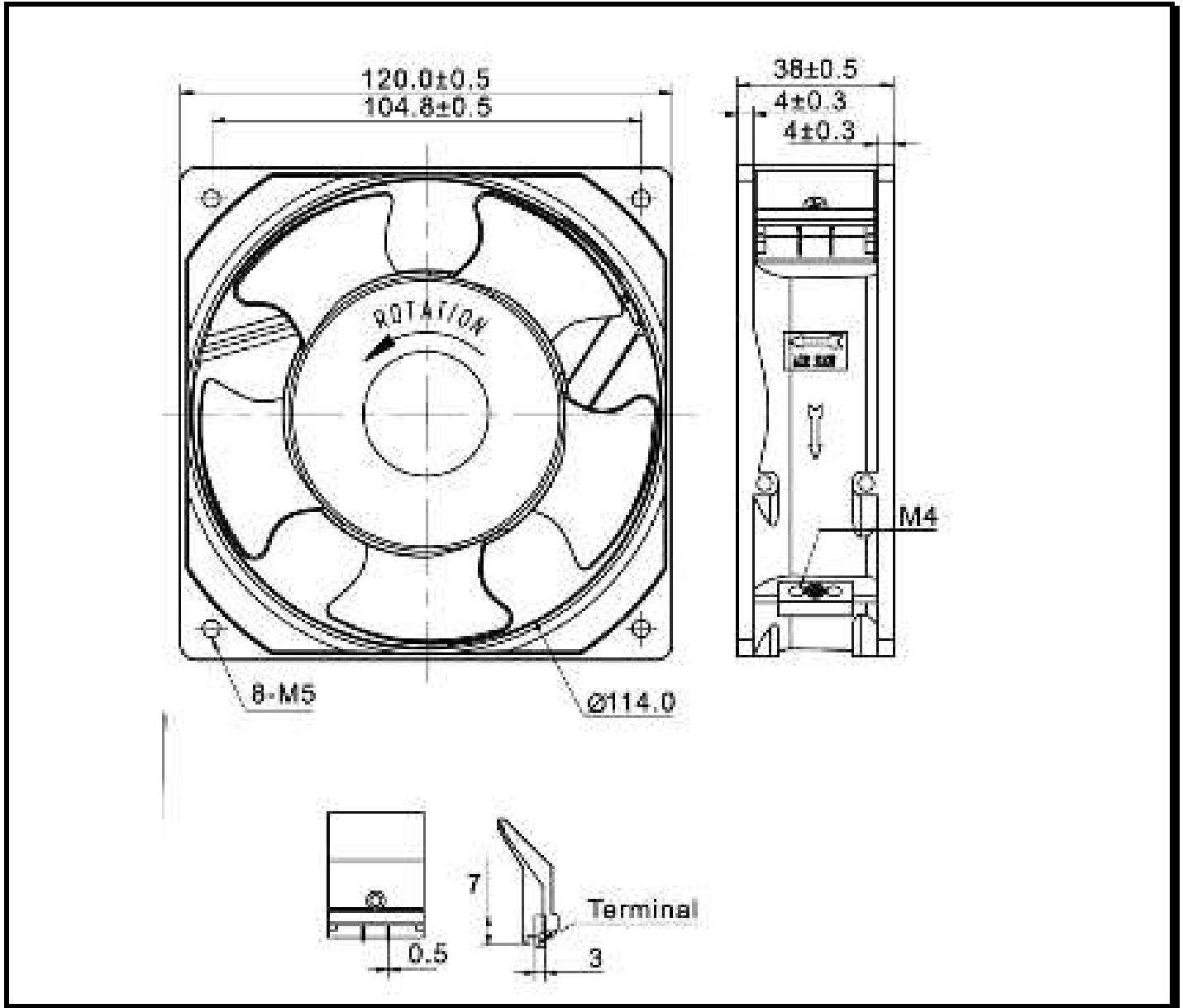


Figure 1

## C.) ENVIRONMENTAL

OPERATING TEMPERATURE:

-20°C to +70°C

STORAGE TEMPERATURE:

The storage temperature will be suggested at -20°C ~ 50°C to ensure a better performance.

HUMIDITY:

20 to 85% RH, non-condensing



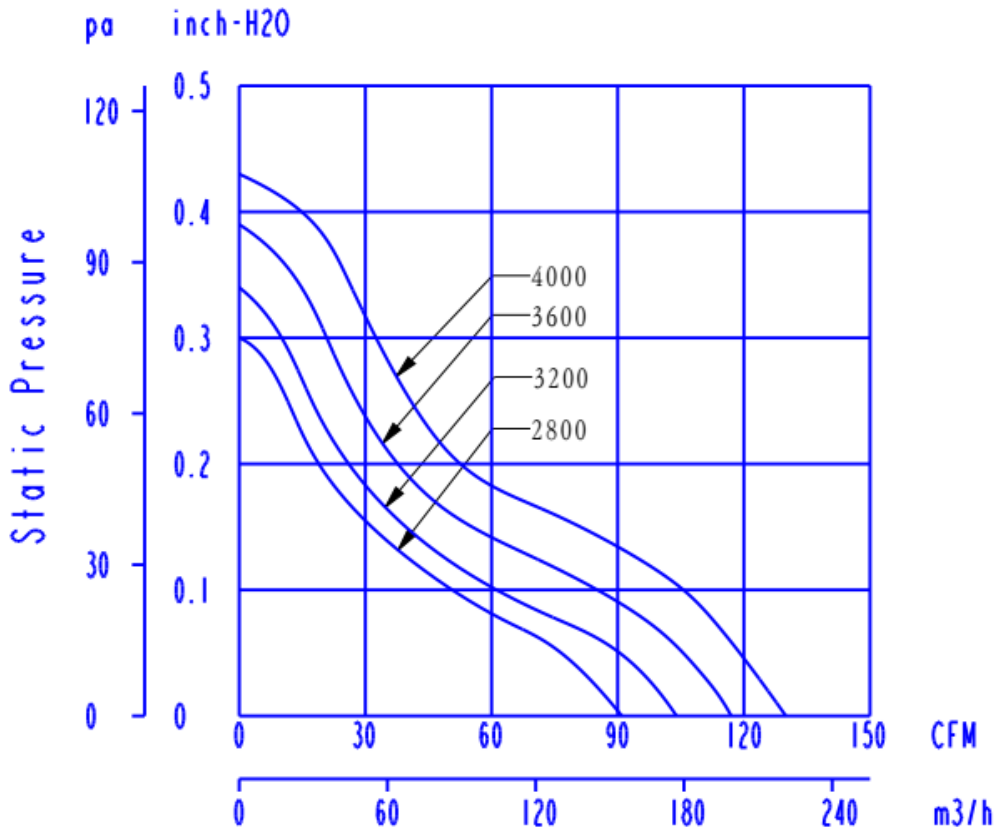
# Comair Rotron Specification Sheet

Specification Date: Dec 12, 2017

Version: 02

## D.) PERFORMANCE CHARACTERISTICS

AIR FLOW:	130 CFM $\pm$ 5% (Measuring at zero static pressure)
STATIC PRESSURE:	0.43" Inches of H2O (Measuring at zero airflow)
ACOUSTIC LEVEL:	56 dBA Max. at MAX. speed (Measured via Freely Suspended at 1 meter )





## Comair Rotron Specification Sheet

Specification Date: Dec 12, 2017

Version: 02

### E.) TERMINATION

Joint terminal:

suit with 0.5x3x7mm PIN

### F.) RELIABILITY

Bearing type	Temperature	Hours
Ball bearing	20°C	60,000
	40°C	50,000
	60°C	40,000
	90°C	20,000

### G.) SAFETY

UL, CUL, CE

### H.) FLAMMABILITY

The fan including all components meets a UL94V-0 rating or better.