



Chipsmall Limited consists of a professional team with an average of over 10 year of expertise in the distribution of electronic components. Based in Hongkong, we have already established firm and mutual-benefit business relationships with customers from,Europe,America and south Asia,supplying obsolete and hard-to-find components to meet their specific needs.

With the principle of "Quality Parts,Customers Priority,Honest Operation,and Considerate Service",our business mainly focus on the distribution of electronic components. Line cards we deal with include Microchip,ALPS,ROHM,Xilinx,Pulse,ON,Everlight and Freescale. Main products comprise IC,Modules,Potentiometer,IC Socket,Relay,Connector.Our parts cover such applications as commercial,industrial, and automotives areas.

We are looking forward to setting up business relationship with you and hope to provide you with the best service and solution. Let us make a better world for our industry!



## Contact us

Tel: +86-755-8981 8866 Fax: +86-755-8427 6832

Email & Skype: info@chipsmall.com Web: www.chipsmall.com

Address: A1208, Overseas Decoration Building, #122 Zhenhua RD., Futian, Shenzhen, China





## Comair Rotron Specification Sheet

Specification Date: Dec 12, 2017

Version: 02

COMAIR ROTRON PART NUMBER: 17000541A  
COMAIR ROTRON MODEL NUMBER: CREC9225-4000

---

### A.) MOTOR:

|                               |  |
|-------------------------------|--|
| RATED VOLTAGE:                | 100~240VAC $\pm$ 10%                               |
| OPERATING VOLTAGE RANGE:      | 90~264VAC  |
| LOW-START VOLTAGE:            | 80VAC  |
| RUNNING CURRENT:              | 0.03~0.05 Amps                                     |
| OPERATING FREQUENCY:          | 50~60Hz  |
| INPUT POWER:                  | 4 Watts  |
| NOMINAL SPEED:                | 4,000 RPM $\pm$ 5%<br>(At Free Delivery)           |
| MOTOR TYPE:                   | Brushless EC                                       |
| MOTOR PROTECTION:             | By Integrated Circuit                              |
| LOCKED ROTORT PROTECTION:     | IC protected                                       |
| POLARITY PROTECTION:          | Yes  |
| AUTOMATIC RESTART CAPABILITY: | By Integrated Circuit                              |
| ROTATION:                     | Counter Clockwise when viewed from the<br>impeller |

### B.) MECHANICAL

|               |  |
|---------------|--|
| DIMENSIONS:   | 92mm x92mm x 25mm  |
| WEIGHT:       | 181g (0.386 Lbs.)  |
| BEARING TYPE: | Permanently Lubricated Ball Bearings                       |
| VENTURI:      | Die Cast magnesium alloy,<br>ED coating and powder coating |
| PROPELLER:    | P.B.T+30%GF(Glass fiber) UL 94V-0                          |



# Comair Rotron Specification Sheet

Specification Date: Dec 12, 2017

Version: 02

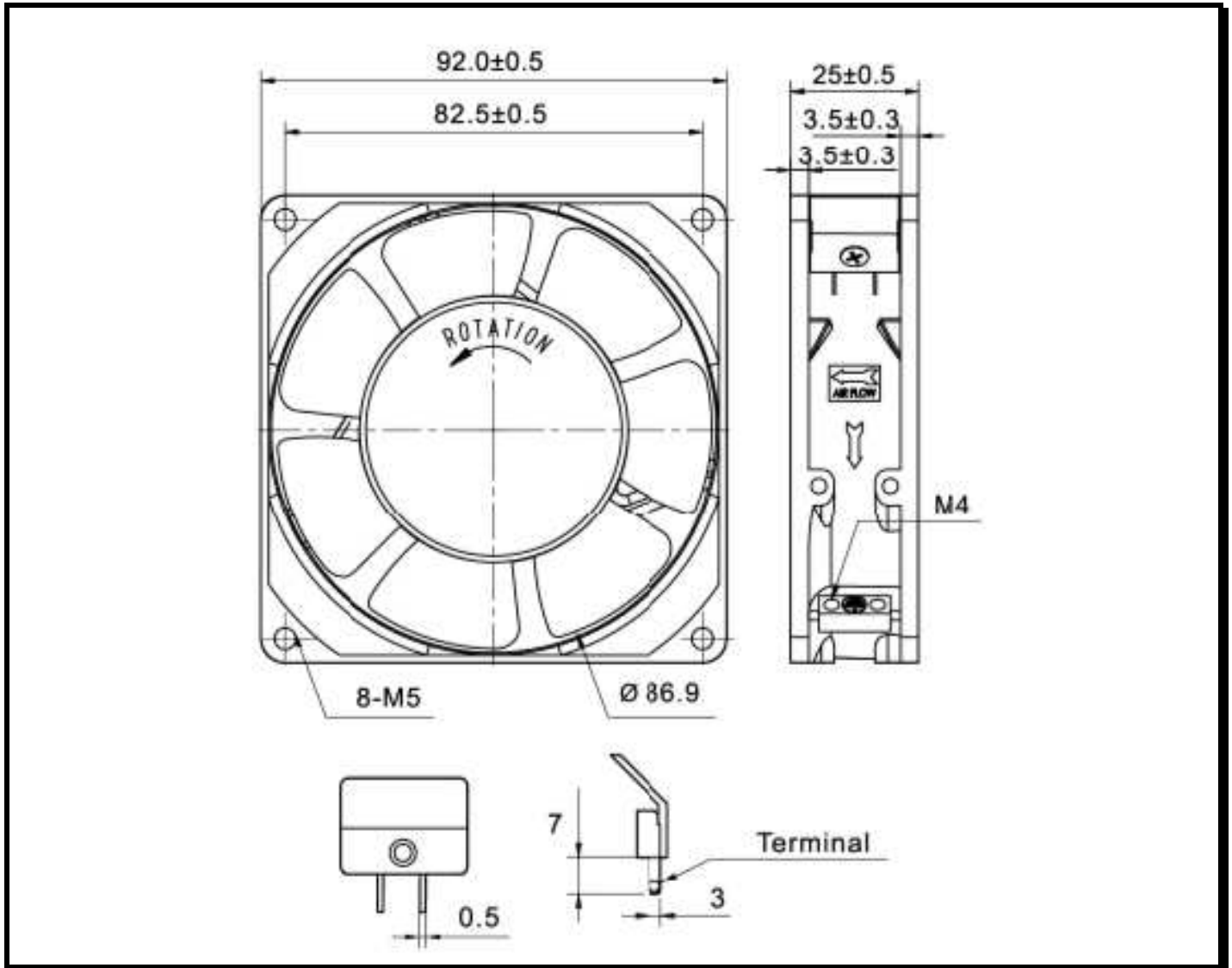


Figure 1

## C.) ENVIRONMENTAL

OPERATING TEMPERATURE:

-20°C to +70°C

STORAGE TEMPERATURE:

The storage temperature will be suggested at -20°C ~ 50°C to ensure a better performance.

HUMIDITY:

20 to 85% RH, non-condensing



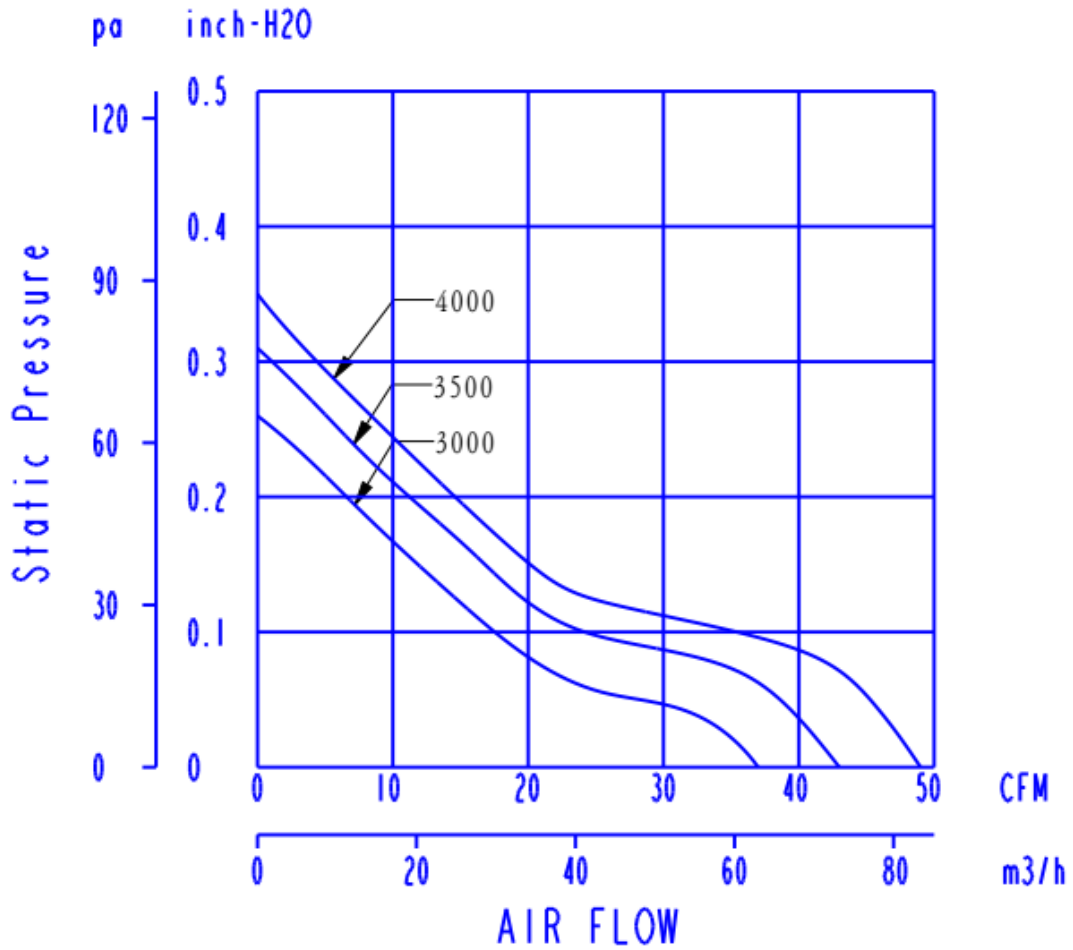
# Comair Rotron Specification Sheet

Specification Date: Dec 12, 2017

Version: 02

## D.) PERFORMANCE CHARACTERISTICS

|                  |  |
|------------------|--|
| AIR FLOW:        | 49 CFM $\pm$ 5%<br>(Measuring at zero static pressure)                   |
| STATIC PRESSURE: | 0.35" Inches of H2O<br>(Measuring at zero airflow)                       |
| ACOUSTIC LEVEL:  | 43 dBA Max. at MAX. speed<br>(Measured via Freely Suspended at 1 meter ) |





## Comair Rotron Specification Sheet

Specification Date: Dec 12, 2017

Version: 02

### E.) TERMINATION

Joint terminal:

suit with 0.5×3×7mm PIN

### F.) RELIABILITY

| Bearing type | Temperature | Hours  |
|--------------|-------------|--------|
| Ball bearing | 20°C        | 60,000 |
|              | 40°C        | 50,000 |
|              | 60°C        | 40,000 |
|              | 90°C        | 20,000 |

### G.) SAFETY

UL, CUL, CE

### H.) FLAMMABILITY

The fan including all components meets a UL94V-0 rating or better.