



Chipsmall Limited consists of a professional team with an average of over 10 year of expertise in the distribution of electronic components. Based in Hongkong, we have already established firm and mutual-benefit business relationships with customers from,Europe,America and south Asia,supplying obsolete and hard-to-find components to meet their specific needs.

With the principle of “Quality Parts,Customers Priority,Honest Operation,and Considerate Service”,our business mainly focus on the distribution of electronic components. Line cards we deal with include Microchip,ALPS,ROHM,Xilinx,Pulse,ON,Everlight and Freescale. Main products comprise IC,Modules,Potentiometer,IC Socket,Relay,Connector.Our parts cover such applications as commercial,industrial, and automotives areas.

We are looking forward to setting up business relationship with you and hope to provide you with the best service and solution. Let us make a better world for our industry!



Contact us

Tel: +86-755-8981 8866 Fax: +86-755-8427 6832

Email & Skype: info@chipsmall.com Web: www.chipsmall.com

Address: A1208, Overseas Decoration Building, #122 Zhenhua RD., Futian, Shenzhen, China





Comair Rotron Specification Sheet

Specification Date: April 19, 2017

RoHS Compliant

Version: 00

COMAIR ROTRON PART NUMBER: 17000653A
COMAIR ROTRON MODEL NUMBER: CR2258-2800E1B

A.) MOTOR:

RATED VOLTAGE:	115 VAC
START VOLTAGE:	87 VAC
OPERATING VOLTAGE RANGE:	103~126 VAC
OPERATING FREQUENCY:	50/60 Hz
MAX. RUNNING CURRENT:	0.56 Amps
INPUT POWER:	44 Watts
NOMINAL SPEED:	2800 RPM \pm 10% (At Free Delivery)
MOTOR TYPE:	Brushless EC
MOTOR PROTECTION:	By Integrated Circuit
LOCKED ROTORT PROTECTION:	IC protected
POLARITY PROTECTION:	Yes
AUTOMATIC RESTART CAPABILITY:	By Integrated Circuit
ROTATION:	Clockwise when viewed from the impeller

B.) MECHANICAL

DIMENSIONS:	225x225x80 mm <i>Figure 1</i>
WEIGHT:	1.83 Kg
BEARING TYPE:	Permanently Lubricated Ball Bearings
VENTURI:	High quality magnesium alloy die-casting frame with ED coating& powder coating.
PROPELLER:	High quality magnesium alloy die-casting frame with ED coating& powder coating.



Comair Rotron Specification Sheet

Specification Date: April 19, 2017

RoHS Compliant

Version: 00

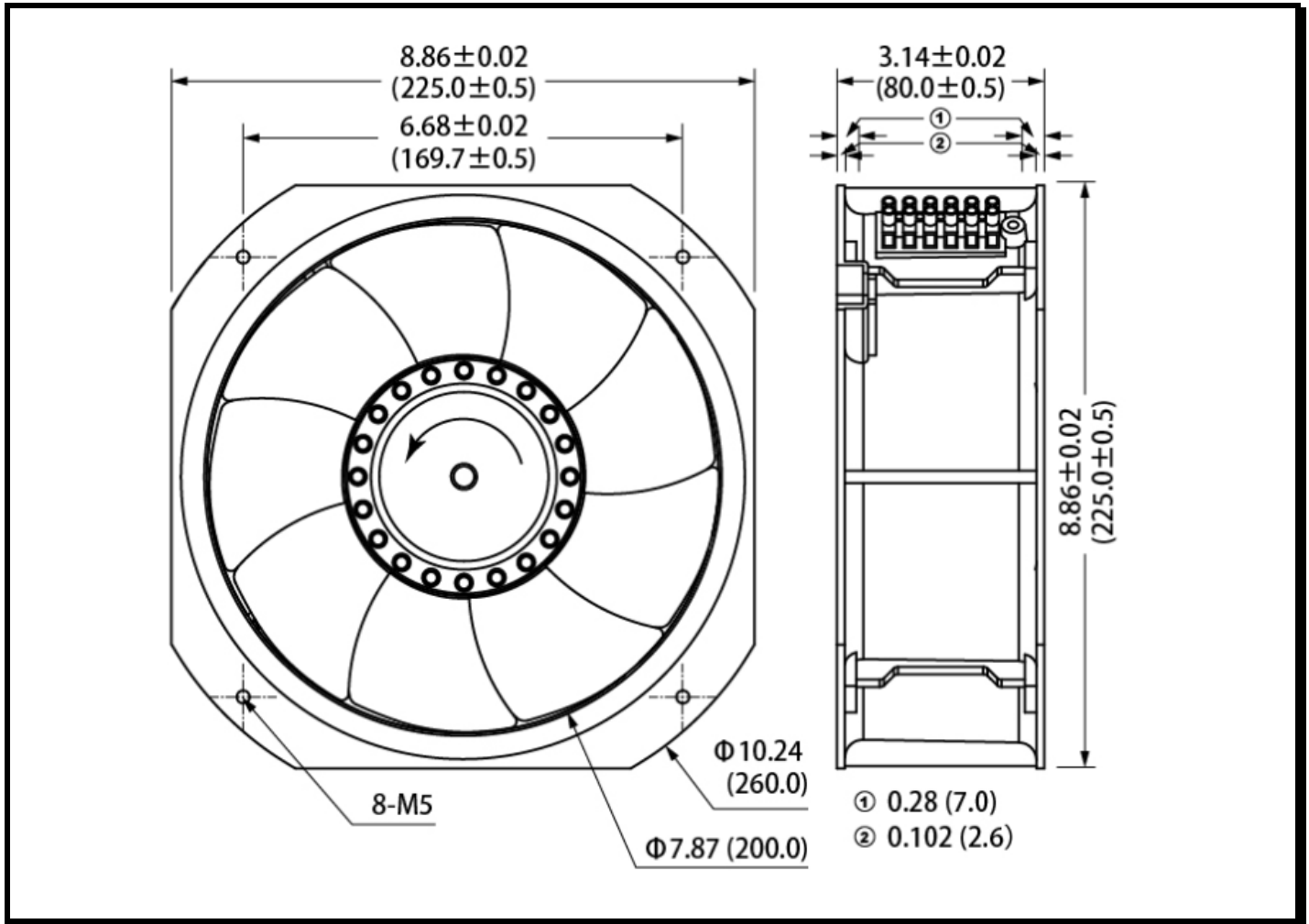


Figure 1

C.) ENVIRONMENTAL

OPERATING TEMPERATURE:

-20°C to +70°C

STORAGE TEMPERATURE:

The storage temperature will be suggested at -20°C ~ 50°C to ensure a better performance.

HUMIDITY:

20 to 85% RH, non-condensing

D.) PERFORMANCE CHARACTERISTICS

AIR FLOW:

586 CFM ± 5%, Curve A
(At Free Delivery and MAX. speed)



Comair Rotron Specification Sheet

Specification Date: April 19, 2017

RoHS Compliant

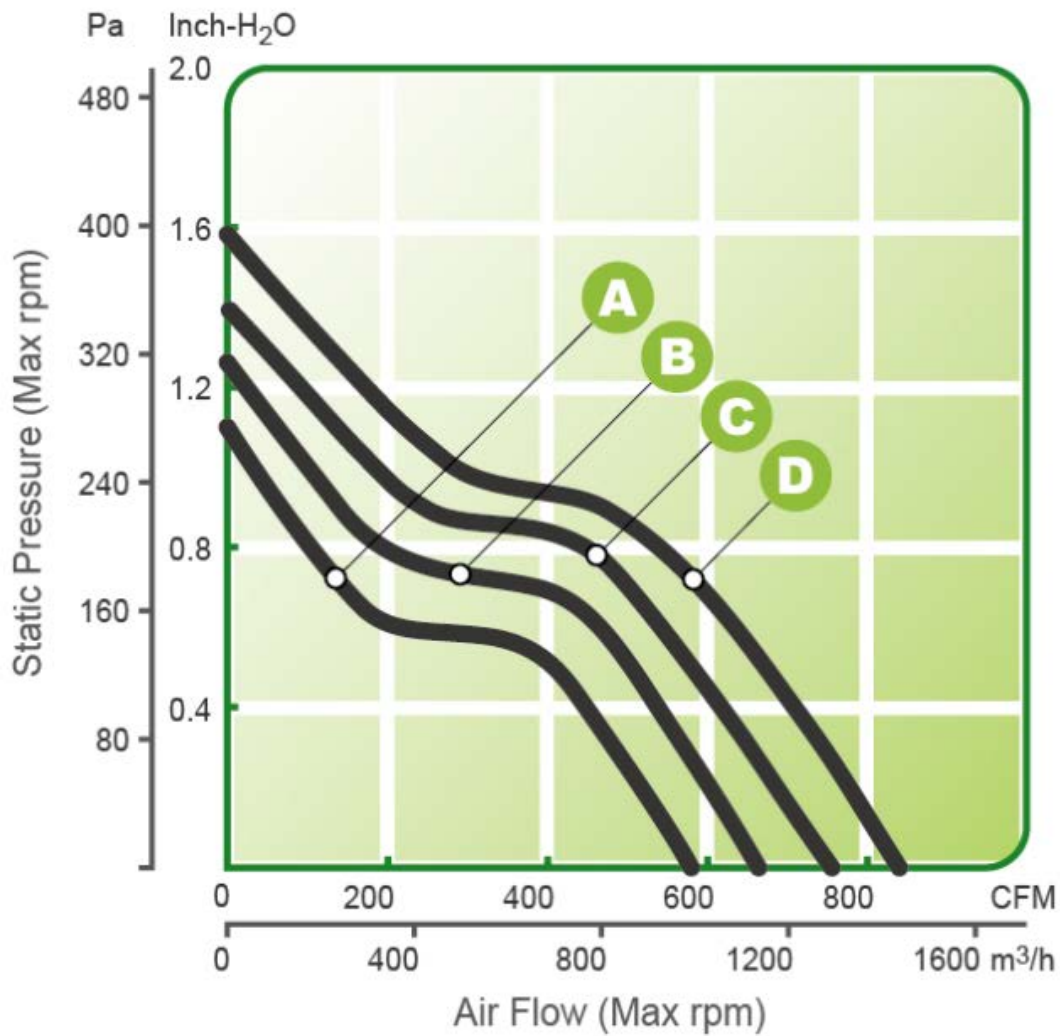
Version: 00

STATIC PRESSURE:

1.10" Inches of H₂O, Curve A
(At Shut-Off and MAX. speed)

ACOUSTIC LEVEL:

65 dBA Max. at MAX. speed
(Measured via Freely Suspended at 1 meter)





Comair Rotron Specification Sheet

Specification Date: April 19, 2017

RoHS Compliant

Version: 00

E.) TERMINATION

Suit with terminal block, PV1.25-3A-0.5 terminal

F.) RELIABILITY

Bearing type	Temperature	Hours
Ball bearing	20°C	60,000
	40°C	50,000
	60°C	40,000
	90°C	20,000

G.) SAFETY

UL, CUL, TUV, CE