



Chipsmall Limited consists of a professional team with an average of over 10 year of expertise in the distribution of electronic components. Based in Hongkong, we have already established firm and mutual-benefit business relationships with customers from,Europe,America and south Asia,supplying obsolete and hard-to-find components to meet their specific needs.

With the principle of “Quality Parts,Customers Priority,Honest Operation,and Considerate Service”,our business mainly focus on the distribution of electronic components. Line cards we deal with include Microchip,ALPS,ROHM,Xilinx,Pulse,ON,Everlight and Freescale. Main products comprise IC,Modules,Potentiometer,IC Socket,Relay,Connector.Our parts cover such applications as commercial,industrial, and automotives areas.

We are looking forward to setting up business relationship with you and hope to provide you with the best service and solution. Let us make a better world for our industry!



Contact us

Tel: +86-755-8981 8866 Fax: +86-755-8427 6832

Email & Skype: info@chipsmall.com Web: www.chipsmall.com

Address: A1208, Overseas Decoration Building, #122 Zhenhua RD., Futian, Shenzhen, China



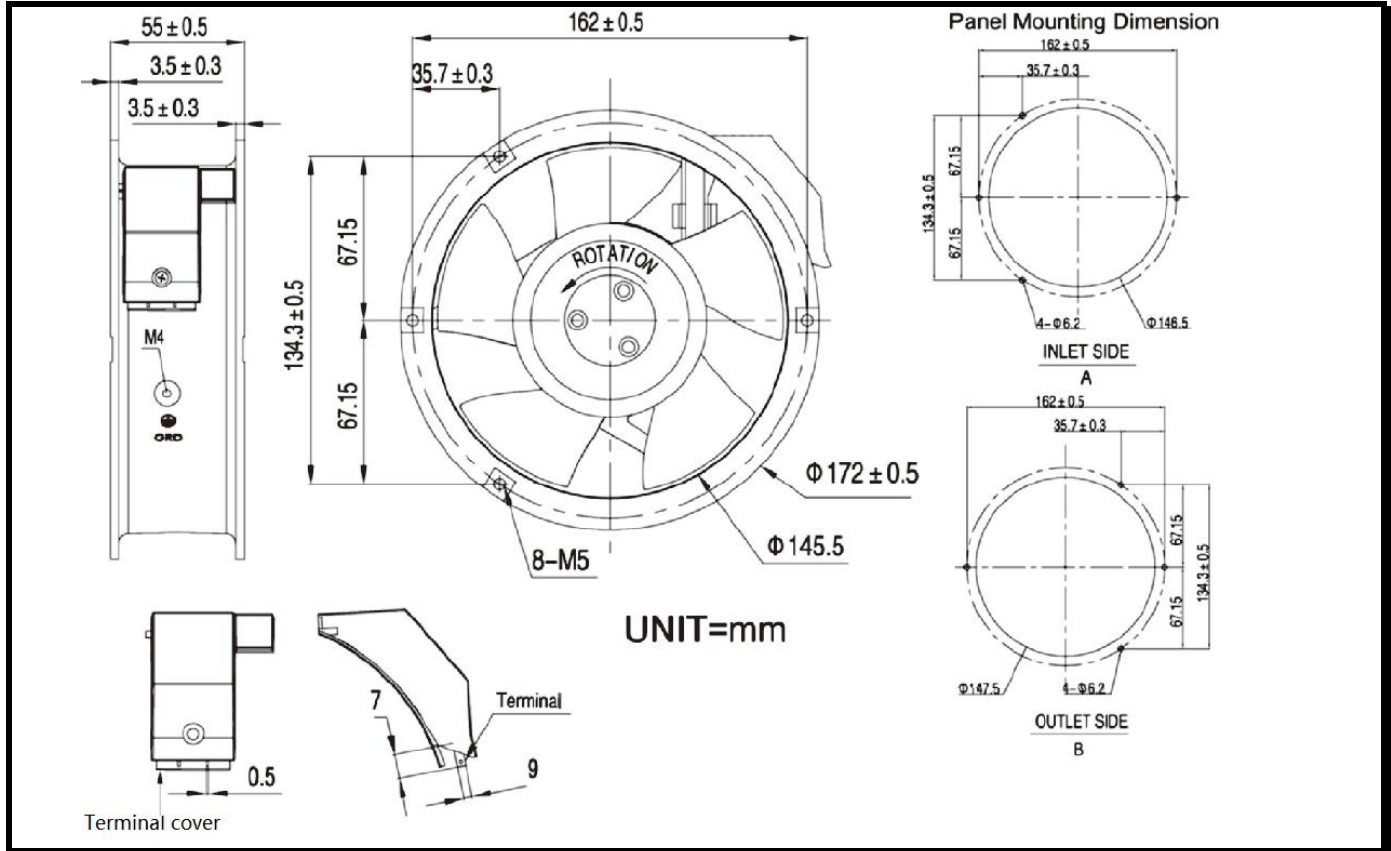
SPECIFICATIONS



Model Number: PT2B3K
Part Number: 17000698A

Version: 01
 Apr 01, 2017

Mechanical Drawing:



Motor:

Nominal Voltage = 115 VAC
 Frequency = 50 / 60 Hz
 Nominal Running Current = 0.250 / 0.260 amps
 Running Power = 27/30 watts
 Average Speed = 2800 / 3300 RPM
 Bearings = Ball
 Air Flow = 218/245 CFM
 Acoustic = 59/62 dBA

Construction:

Venturi: High quality magnesium alloy die-casting frame with ED coating+powder coating
 Propeller: Magnesium alloy ED coating+painting

Agency Approvals:

UL, CE

Additional Features:

Permanent Split Capacitor Motor
 Thermal Protection
 Automatic Restart Capability
 Operating Temperature: -10°C to 70°C
 Storage Temperature: -40°C to 85°C
 Ingress of protection: IP55

Additional Features:

0.110" Terminals

Life Expectancy:

Temperature	Hours
20°C	60,000
40°C	50,000
60°C	40,000
90°C	20,000

PQ Curve:

