



Chipsmall Limited consists of a professional team with an average of over 10 year of expertise in the distribution of electronic components. Based in Hongkong, we have already established firm and mutual-benefit business relationships with customers from,Europe,America and south Asia,supplying obsolete and hard-to-find components to meet their specific needs.

With the principle of “Quality Parts,Customers Priority,Honest Operation,and Considerate Service”,our business mainly focus on the distribution of electronic components. Line cards we deal with include Microchip,ALPS,ROHM,Xilinx,Pulse,ON,Everlight and Freescale. Main products comprise IC,Modules,Potentiometer,IC Socket,Relay,Connector.Our parts cover such applications as commercial,industrial, and automotives areas.

We are looking forward to setting up business relationship with you and hope to provide you with the best service and solution. Let us make a better world for our industry!



Contact us

Tel: +86-755-8981 8866 Fax: +86-755-8427 6832

Email & Skype: info@chipsmall.com Web: www.chipsmall.com

Address: A1208, Overseas Decoration Building, #122 Zhenhua RD., Futian, Shenzhen, China



SPECIFICATIONS

(RoHS Compliant)



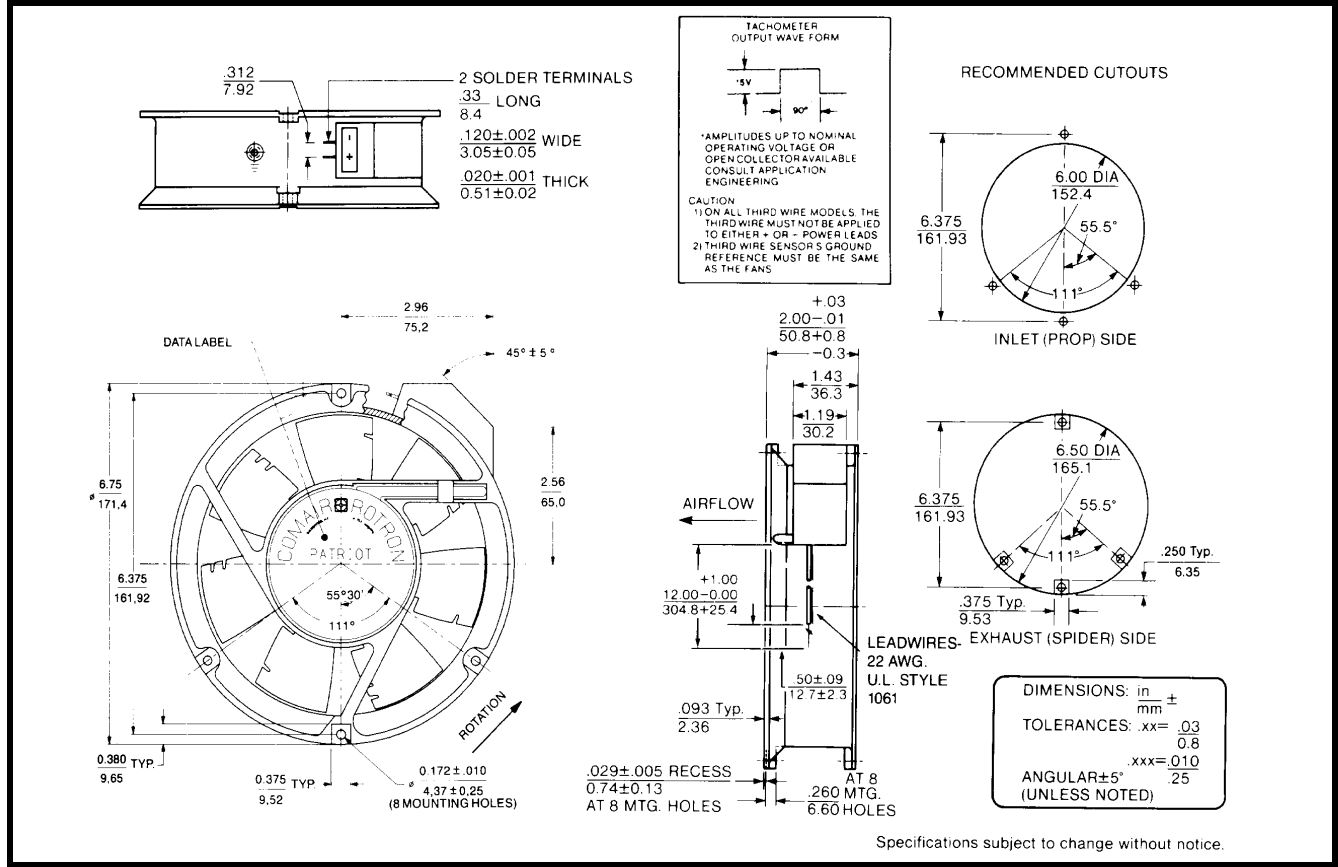
Model Number: PQ12B3E2X-E3

Rev:00

Part Number: 17001190A

Jun 12, 2018

Mechanical Drawing:



Motor:

Nominal Voltage = 12 vdc
 Operating Voltage Range = 8 – 16 vdc
 Nominal Running Current = 2.260amps
 Locked Rotor Current = 4.00 amps
 Running Power = 27.1 watts
 Average Speed = 3400 RPM
 Bearings = Ball
 Air Flow = 235 CFM
 Acoustic = 54.3 dBA

Construction:
 Venturi: Single piece, die-cast aluminum, Black
 Propeller: Plastic, Black, UL 94V-0

Life Expectancy:
 This fan is designed for continuous duty life of 58,000 hours at 70°C.

Termination:
 12"±1"(304.8±25.4mm) 22AWG UL1061 Leadwires
 Red = Power(+)
 Black = Return(-)
 Blue/White = Tach output
 Yellow = PWM control

Additional Features:
 Brushless DC Motor
 Polarity Protected
 Locked Rotor Protection
 Automatic Restart Capability
 Operating Temperature: -10°C to 70°C
 Storage Temperature: -40°C to 85°C
 Environmental Protection: Type 3(IP68)

TACHOMETER:
 Output: Open Collector
 Ic: 20 mA max.
 Vcc: 32 Vdc max.
 Pulses per Revolution: 2
 Isolated: No

Speed Control:
 PWM: 200 ~ 2 KHz, Open Collector
 <10% Duty: Off
 10%~95% Duty: Linear Ramp
 >95% Duty or Open Lead Wire: Full Speed

Agency Approvals:
 UL, CUL, CE

PQ Curve:

