



Chipsmall Limited consists of a professional team with an average of over 10 year of expertise in the distribution of electronic components. Based in Hongkong, we have already established firm and mutual-benefit business relationships with customers from,Europe,America and south Asia,supplying obsolete and hard-to-find components to meet their specific needs.

With the principle of “Quality Parts,Customers Priority,Honest Operation,and Considerate Service”,our business mainly focus on the distribution of electronic components. Line cards we deal with include Microchip,ALPS,ROHM,Xilinx,Pulse,ON,Everlight and Freescale. Main products comprise IC,Modules,Potentiometer,IC Socket,Relay,Connector.Our parts cover such applications as commercial,industrial, and automotives areas.

We are looking forward to setting up business relationship with you and hope to provide you with the best service and solution. Let us make a better world for our industry!



## Contact us

Tel: +86-755-8981 8866 Fax: +86-755-8427 6832

Email & Skype: info@chipsmall.com Web: www.chipsmall.com

Address: A1208, Overseas Decoration Building, #122 Zhenhua RD., Futian, Shenzhen, China



4

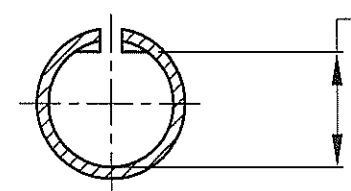
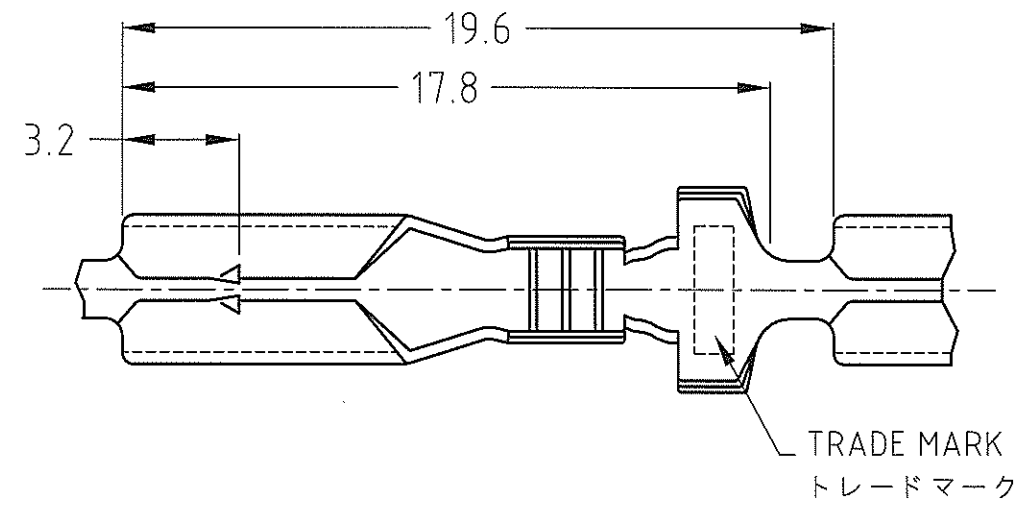
3

2

1

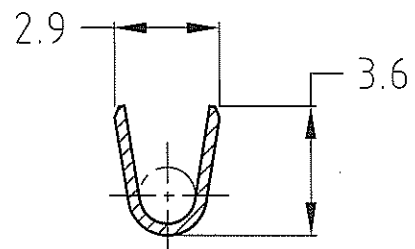
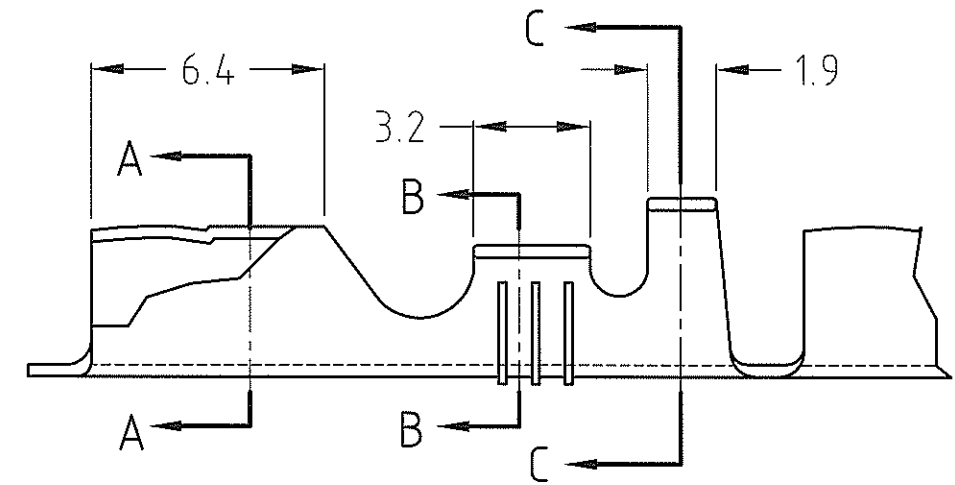
THIS DRAWING IS UNPUBLISHED. RELEASED FOR PUBLICATION  
 © COPYRIGHT BY TYCO ELECTRONICS CORPORATION. ALL RIGHTS RESERVED.

LOC	DIST	REVISIONS					
J		P	LTR	DESCRIPTION	DATE	DWN	APVD
		J		REVISED ECR-07-011381	25MAY07	J.S	S.M

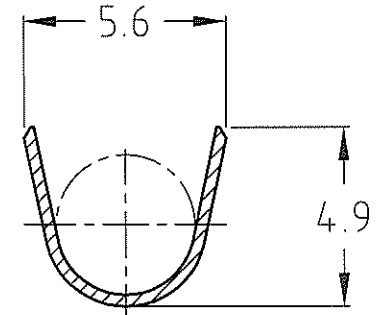


断面 A-A  
(SECT.)

THIS DIMENSION IS CONTROLLED BY MATING FORCE  
 この寸法は嵌合力によって管理する。



断面 B-B  
(SECT.)



断面 C-C  
(SECT.)

OBSOLETE	1-170012-1	—//—	25000	108-5004	BRIGHT DIP 光沢処理
	1-170012-0	—//—	24000		BRIGHT DIP 光沢処理
	170012-2	170021-1	6000		TIN PLATING 錫めっき
	170012-1	—//—	7000	108-5004	BRIGHT DIP 光沢処理
PART NUMBER 端子型番	LOOSE PIECE NUMBER バラ端子型番		QTY/REEL 1リール当たり数量	PRODUCT SPECIFICATION NUMBER 製品規格番号	FINISH 仕上げ
			0.51~1.42mm <sup>2</sup> (AWG #20~#16)	2.1~3.7mm	
			抱合電線断面積 (WIRE RANGE)	被覆外径 (INSULATION DIA)	

THIS DRAWING IS A CONTROLLED DOCUMENT.		DWN J.SATO 24MAY2007	Tyco Electronics AMP K.K. Kawasaki, Japan	
DIMENSIONS: 単位: 概 mm		CHK S.MANABE 25MAY2007	NAME 名称 4DIA SHUR PLUG RECEPTACLE	
TOLERANCES UNLESS OTHERWISE SPECIFIED: 一般公差		APVD S.MANABE 25MAY2007	PRODUCT SPEC 製品規格 SEE TABLE	
MATERIAL 材料 BRASS		FINISH 仕上 SEE TABLE	APPLICATION SPEC 取付適用規格 —	RESTRICTED TO —
WEIGHT 0.45g		SIZE A3	CAGE CODE 00779	DRAWING NO 170012
CUSTOMER DRAWING		SCALE 尺度 5:1	SHEET 1 OF 1	REV J