



Chipsmall Limited consists of a professional team with an average of over 10 year of expertise in the distribution of electronic components. Based in Hongkong, we have already established firm and mutual-benefit business relationships with customers from,Europe,America and south Asia,supplying obsolete and hard-to-find components to meet their specific needs.

With the principle of “Quality Parts,Customers Priority,Honest Operation,and Considerate Service”,our business mainly focus on the distribution of electronic components. Line cards we deal with include Microchip,ALPS,ROHM,Xilinx,Pulse,ON,Everlight and Freescale. Main products comprise IC,Modules,Potentiometer,IC Socket,Relay,Connector.Our parts cover such applications as commercial,industrial, and automotives areas.

We are looking forward to setting up business relationship with you and hope to provide you with the best service and solution. Let us make a better world for our industry!



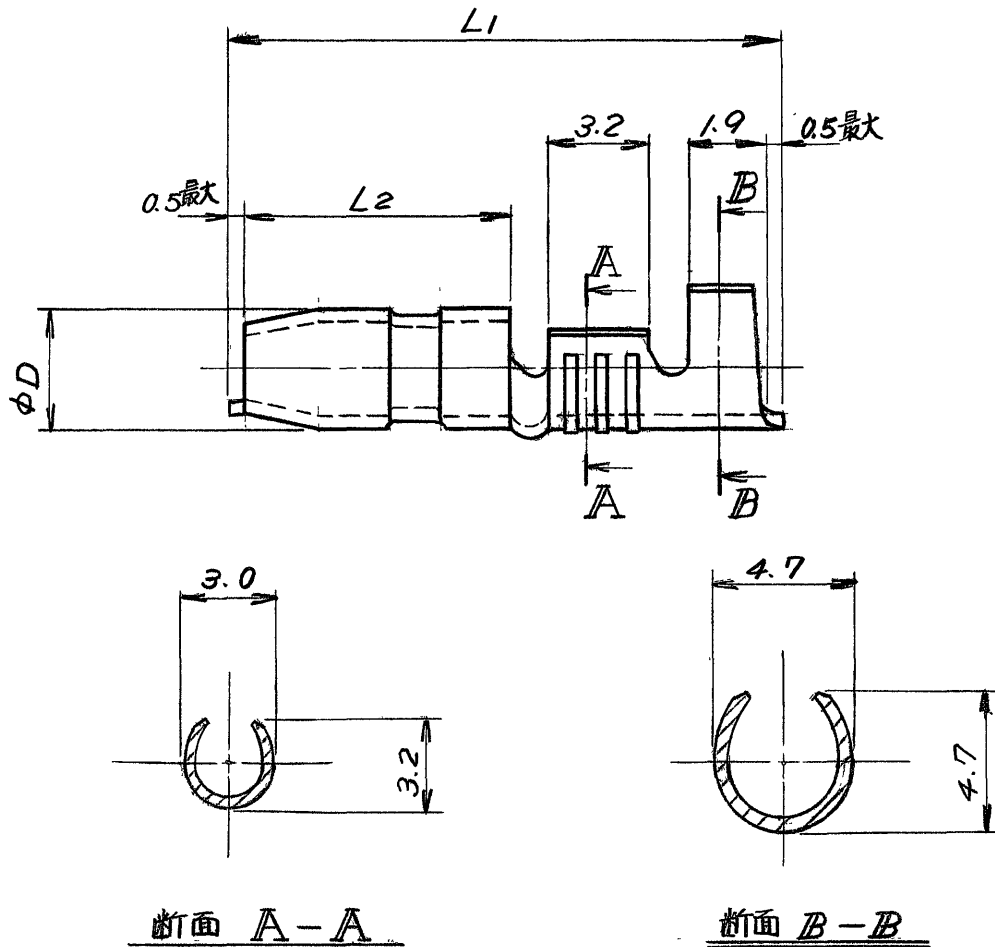
Contact us

Tel: +86-755-8981 8866 Fax: +86-755-8427 6832

Email & Skype: info@chipsmall.com Web: www.chipsmall.com

Address: A1208, Overseas Decoration Building, #122 Zhenhua RD., Futian, Shenzhen, China





注
△ 海外向製品

型番	嵌合相手型番	仕上	ϕD	L_1	L_2	通用工具型番	製品規格番号	分類
170020-1	170021-1	電気錫めっき	3.5	17.0	7.3	2088544-1	108-5004	$\phi 4$
170020-2	170021-2	電気錫めっき	4.0	18.0	8.7	2088544-1	108-5003	$\phi 5$
170020-3	170021-3	—	4.0	18.0	8.7	2088544-1	108-5003	$\phi 5$
170020-4	—	—	3.5	17.0	7.3	2088544-1	108-5004 準拠	$\phi 4$

単位: 耗 DIMENSIONS IN MM DO NOT SCALE PRINT

		参考図面 (CUSTOMER COPY REFERENCE ONLY)	
材料 (MATERIAL) 黄銅 板厚 0.5		TE TE Connectivity	
仕上 (FINISH) 表参照		分類 (CLASS) 表参照	
包合電線断面積 (WIRE RANGE) 0.50 ~ 2.27 mm ² (AWG #20 ~ #14)		型式 (TYPE) —	
被覆外径 (INSULATION DIA) 2.2 ~ 3.1 mm (— IN)			
一般公差 [TOLERANCE EXCEPT AS NOTED] ±0.4 ±1°	尺度 (SCALE) 4-1	LOC JA4	SIZE 番号 (NO) C-170020
名称 (NAME) Φ4 及び Φ5 シュア プラグ (shur plug)		REV A1	

A1	REVISED PER ECO-11-005030	RK	HMR	25MAR11
LTR	変更 (REVISION RECORD)	DR.	CHK.	DATE
DR	Y. Tanaka 1/22/14	DE		
CHK	T. Suguchi 1/22/14	APP.	Y. Sato 1/21/14	