



Chipsmall Limited consists of a professional team with an average of over 10 year of expertise in the distribution of electronic components. Based in Hongkong, we have already established firm and mutual-benefit business relationships with customers from,Europe,America and south Asia,supplying obsolete and hard-to-find components to meet their specific needs.

With the principle of “Quality Parts,Customers Priority,Honest Operation,and Considerate Service”,our business mainly focus on the distribution of electronic components. Line cards we deal with include Microchip,ALPS,ROHM,Xilinx,Pulse,ON,Everlight and Freescale. Main products comprise IC,Modules,Potentiometer,IC Socket,Relay,Connector.Our parts cover such applications as commercial,industrial, and automotives areas.

We are looking forward to setting up business relationship with you and hope to provide you with the best service and solution. Let us make a better world for our industry!



Contact us

Tel: +86-755-8981 8866 Fax: +86-755-8427 6832

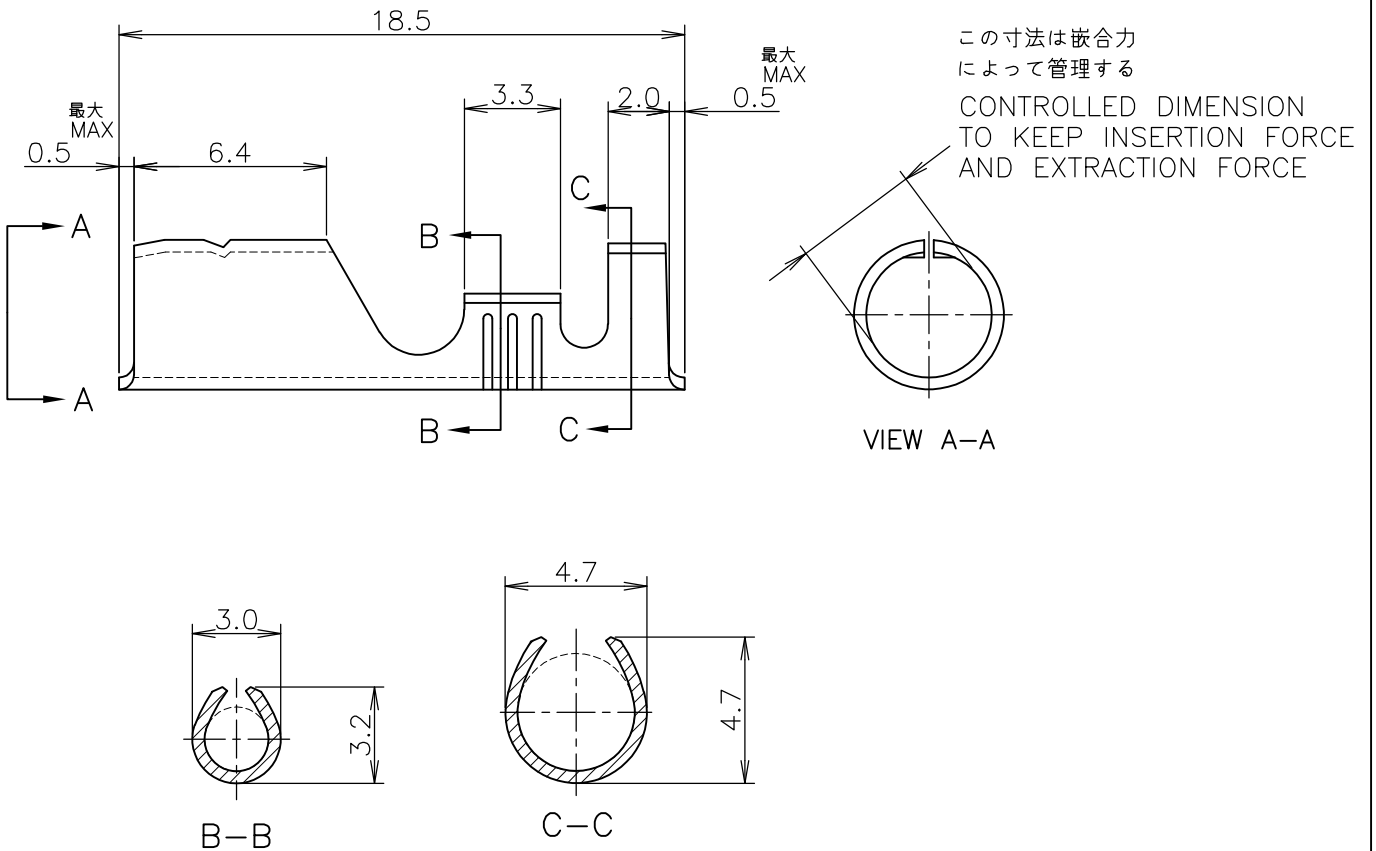
Email & Skype: info@chipsmall.com Web: www.chipsmall.com

Address: A1208, Overseas Decoration Building, #122 Zhenhua RD., Futian, Shenzhen, China



LOC J	DIST /	REVISIONS 変更			DATE	DWN	APVD
		P	LTR	DESCRIPTION			
			B	REDRAWN ECR-11-012298	15JUN2011	T.T	T.M

-*; AS SHOWN



JAN 1, 1974.

RELEASED FOR PUBLICATION

ALL RIGHTS RESERVED.


COPYRIGHT 1974 By Tyco Electronics Japan C.K.

THIS DRAWING IS UNPUBLISHED.

0.50~2.27 (AWG#20~#14)	108-5003	ø5	170020-3	—H—	黄銅 板厚0.40 (BRASS) 0.40t	170021-3
0.50~2.27 (AWG#20~#14)	108-5003	ø5	170020-2	ELECTRIC TIN PLATED 電気錫めっき	黄銅 板厚0.40 (BRASS) 0.40t	170021-2
0.50~1.42 (AWG#20~#16)	108-5004	ø4	170020-1	ELECTRIC TIN PLATED 電気錫めっき	黄銅 板厚0.32 (BRASS) 0.32t	170021-1

WIRE RANGE 適用電線範囲	PRODUCT SPEC NO. 製品規格番号	CLASS 分類	MATE PART NO. 嵌合相手型番	FINISH 仕上	MATERIAL 材料	PART NO. 端子型番
----------------------	----------------------------	-------------	-------------------------	--------------	----------------	------------------

CLASS 分類	SEE TABLE 表参照	TOOL NO. 適用工具型番	2088544-1	WIRE RANGE 包含電線断面積	表参照 SEE TABLE	INSULATION DIA 被覆外径	2.2~3.1	mm ²	mm ϕ
-------------	------------------	--------------------	-----------	-----------------------	------------------	------------------------	---------	-----------------	-----------

DIMENSIONS: 単位: 耗 mm	DWN T.TSUZAKI	15JUN2011	MATERIAL 材料	表参照 SEE TABLE	FINISH 仕上	表参照 SEE TABLE
	CHK T.MASUDA	15JUN2011	 TE Connectivity			
TOLERANCES UNLESS OTHERWISE SPECIFIED: 一般公差	APVD T.MASUDA	15JUN2011				
0 PLC ±	PRODUCT SPEC 製品規格		NAME 名称			
1 PLC ± ±0.4	SEE TABLE					
2 PLC ±	APPLICATION SPEC 取付適用規格		SIZE			
3 PLC ±						
4 PLC ±			CAGE CODE		DRAWING NO 番号	
ANGLES ± 1'			A4 00779		C-170021	
WEIGHT			RESTRICTED TO			
CUSTOMER DRAWING			SCALE 尺度		SHEET 1 OF 1	
			4:1		REV B	