



Chipsmall Limited consists of a professional team with an average of over 10 year of expertise in the distribution of electronic components. Based in Hongkong, we have already established firm and mutual-benefit business relationships with customers from,Europe,America and south Asia,supplying obsolete and hard-to-find components to meet their specific needs.

With the principle of "Quality Parts,Customers Priority,Honest Operation,and Considerate Service",our business mainly focus on the distribution of electronic components. Line cards we deal with include Microchip,ALPS,ROHM,Xilinx,Pulse,ON,Everlight and Freescale. Main products comprise IC,Modules,Potentiometer,IC Socket,Relay,Connector.Our parts cover such applications as commercial,industrial, and automotives areas.

We are looking forward to setting up business relationship with you and hope to provide you with the best service and solution. Let us make a better world for our industry!



Contact us

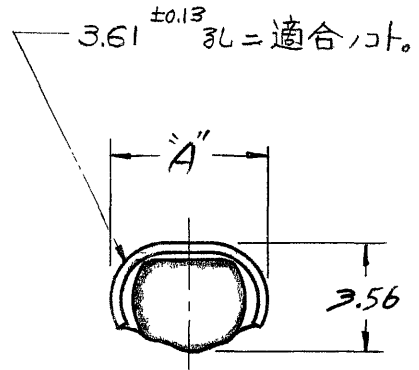
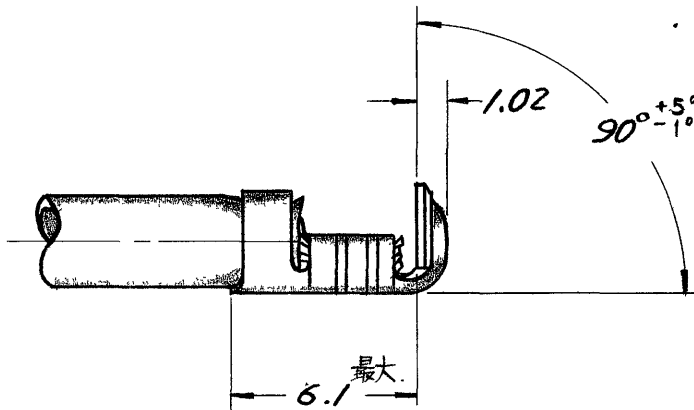
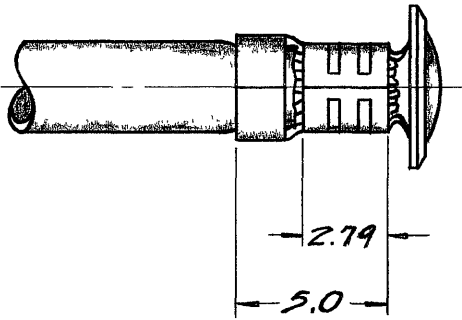
Tel: +86-755-8981 8866 Fax: +86-755-8427 6832

Email & Skype: info@chipsmall.com Web: www.chipsmall.com

Address: A1208, Overseas Decoration Building, #122 Zhenhua RD., Futian, Shenzhen, China



番号 (NUMBER)
C-170023



型番	'A'寸法
170023-1	5.08 ±0.3

単位: 耗 DIMENSIONS IN MM. DO NOT SCALE PRINT

G	DELETED -2 (P-DWG)	S.K.	7/29/67	
F	REVISED WIRE RANGE (P-DWG REV H) (IN 10 M.S.)	N.H.	6/14/67	
E	6.5 WAS 6.4 (170023-2)	S.K.	5/16/67	
D	ECN JT-899 (P-DWG REV.F)	S.K.	3/9/67	
C	ECN JT-871 (P-DWG REV E)	S.K.	2/2/67	
B	DELETED SUFFIX NO. P.DWG. REV. D	N.H.	1/25/66	
A	CORRECT DIMENSIONS	S.K.	1/21/67	
D	REL.			
LTR.	変更 (REVISION RECORD)	DR.	CHK.	DATE
DR.	M. Ho 8/20/64	DE.		
CHK.	S. Takahashi 8/20/64	APP.		

©1961年日本 AMP (株) において版權所有。AMP 製品は總て、特許又は特許出願中

© 1961 BY AMP (Japan), Ltd. ALL RIGHTS RESERVED. AMP PRODUCTS COVERED BY PATENTS AND/OR PATENTS PENDING

参考図面 (CUSTOMER COPY) (REFERENCE ONLY)

材料 (MATERIAL) 銅合金 0.41 厚
仕上 (FINISH) —H—
抱合電線断面積 (WIRE RANGE) 0.50-1.42 mm² (AWG #20-16)
被覆外径 (INSULATION DIA.) 2.16-2.92 mm (.085-.115 IN)



日本 AMP 株式会社
TOKYO, JAPAN

分類 (CLASS) —H—
型式 (TYPE) オートマチック (AUTOMATIC)

一般公差 (TOLERANCE EXCEPT AS NOTED)	0.4 ±0.015	尺度 (SCALE)	2-1	LOG	SIZE	番号 (NO)	RFV.
				J	A	C-170023	G

名称 (NAME) ボタン コンタクト