



Chipsmall Limited consists of a professional team with an average of over 10 year of expertise in the distribution of electronic components. Based in Hongkong, we have already established firm and mutual-benefit business relationships with customers from,Europe,America and south Asia,supplying obsolete and hard-to-find components to meet their specific needs.

With the principle of “Quality Parts,Customers Priority,Honest Operation,and Considerate Service”,our business mainly focus on the distribution of electronic components. Line cards we deal with include Microchip,ALPS,ROHM,Xilinx,Pulse,ON,Everlight and Freescale. Main products comprise IC,Modules,Potentiometer,IC Socket,Relay,Connector.Our parts cover such applications as commercial,industrial, and automotives areas.

We are looking forward to setting up business relationship with you and hope to provide you with the best service and solution. Let us make a better world for our industry!



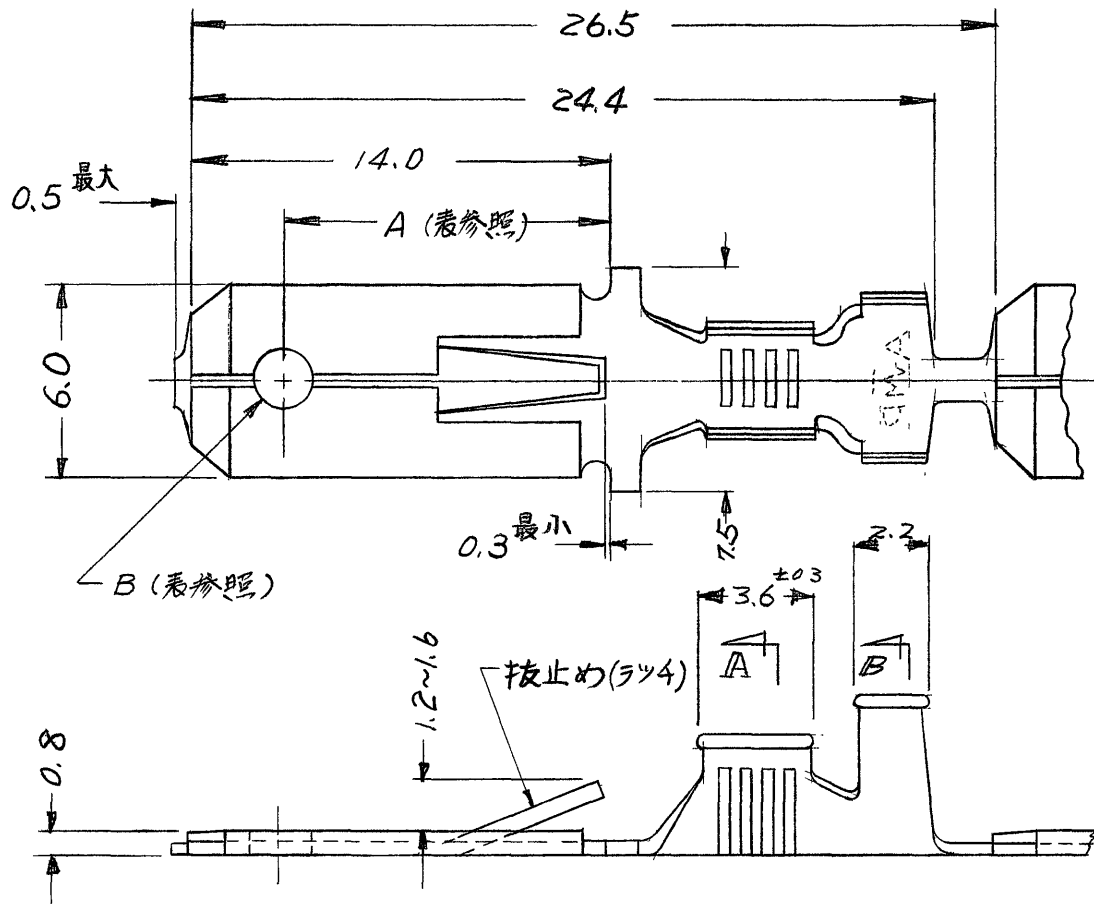
Contact us

Tel: +86-755-8981 8866 Fax: +86-755-8427 6832

Email & Skype: info@chipsmall.com Web: www.chipsmall.com

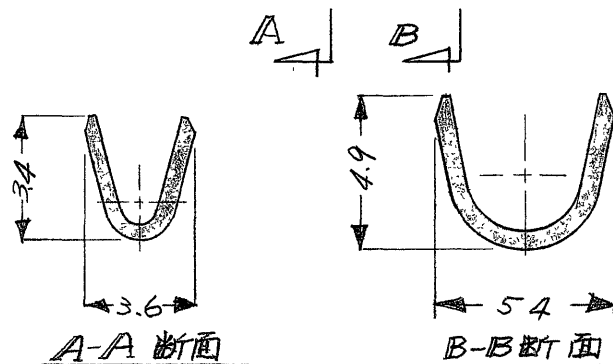
Address: A1208, Overseas Decoration Building, #122 Zhenhua RD., Futian, Shenzhen, China





注.

- 製品規格番号
108-5001による。



連鎖状端子型番	バラ状端子型番 (バレルは7.0x2.0)	材料	仕上	嵌合相手型番	A	B
170030-1	170051-1	黄銅 ±0.4	+	170031又 は170089	11.0	2.0
-2	170051-2	黄銅 ±0.4	錫めっき		11.0	2.0
-3	+	黄銅 ±0.4	錫めっき		+	+
-4	170051-3	錫めっき黄銅 ±0.4	+		11.0	2.0
170030-5	+	錫めっき黄銅 ±0.4	+		+	+

単位: 耗 DIMENSIONS IN MM DO NOT SCALE PRINT

KI ADDED (P-DWG) (REV. 7.1/73) Y.A. gm				©1975 BY AMP (Japan), Ltd ALL RIGHTS RESERVED AMP PRODUCTS COVERED BY PATENTS AND/OR PATENTS PENDING		参考図面 (CUSTOMER COPY) (REFERENCE ONLY)	
K ECN J5-3855 K.Y. gm				材料 (MATERIAL) 表参照		AMP 日本イー・エム・ピー株式会社 TRADE MARK TOKYO, JAPAN	
J3 ECN J5-3539 H.S. Y.M. 4/1/75				仕上 (FINISH) 表参照		分類 (CLASS) ー	
J2 ADDED REDRAWN W/O CHANGES (P-DWG REV.N) H.S. S.S. 7/1/74				抱合電線断面積 (WIRE RANGE) 0.50 ~ 2.27 mm ² (AWG #20-14)		型式 (TYPE) オートマチック	
J1 (P-DWG REV.N) S.K. S.I. 7/27/73				被覆外径 (INSULATION DIA) 2.2 ~ 3.4 mm (0.85 ~ 1.35 IN)		一般公差 (TOLERANCE) ±0.4 EXCEPT AS NOTED ±1.0	
LTR 変更 (REVISION RECORD)		DR.	CHK	DATE	尺度 (SCALE) ー	LOC SIZE 番号 (NO)	REV
DR. Y. Koide 7/27/73		DE.			JAC-170080		K1
CHK S. Ishida 7/30/73		APP Y. Sato 7/30/73			名称 (NAME) 250"シリーズラッチ付タブ		