



Chipsmall Limited consists of a professional team with an average of over 10 year of expertise in the distribution of electronic components. Based in Hongkong, we have already established firm and mutual-benefit business relationships with customers from,Europe,America and south Asia,supplying obsolete and hard-to-find components to meet their specific needs.

With the principle of “Quality Parts,Customers Priority,Honest Operation,and Considerate Service”,our business mainly focus on the distribution of electronic components. Line cards we deal with include Microchip,ALPS,ROHM,Xilinx,Pulse,ON,Everlight and Freescale. Main products comprise IC,Modules,Potentiometer,IC Socket,Relay,Connector.Our parts cover such applications as commercial,industrial, and automotives areas.

We are looking forward to setting up business relationship with you and hope to provide you with the best service and solution. Let us make a better world for our industry!



Contact us

Tel: +86-755-8981 8866 Fax: +86-755-8427 6832

Email & Skype: info@chipsmall.com Web: www.chipsmall.com

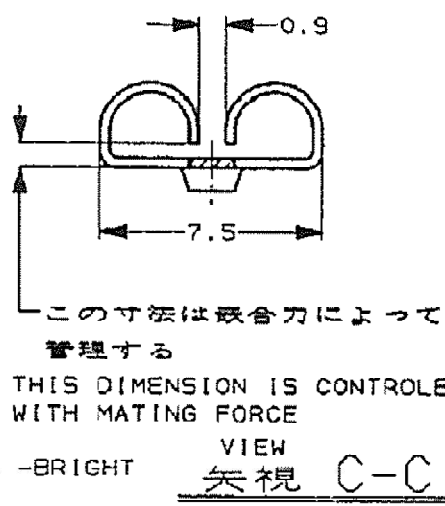
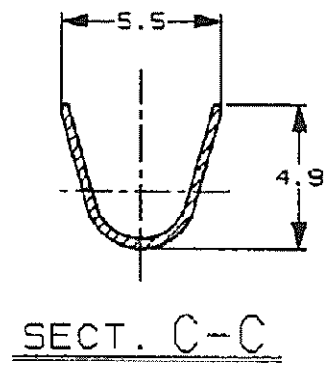
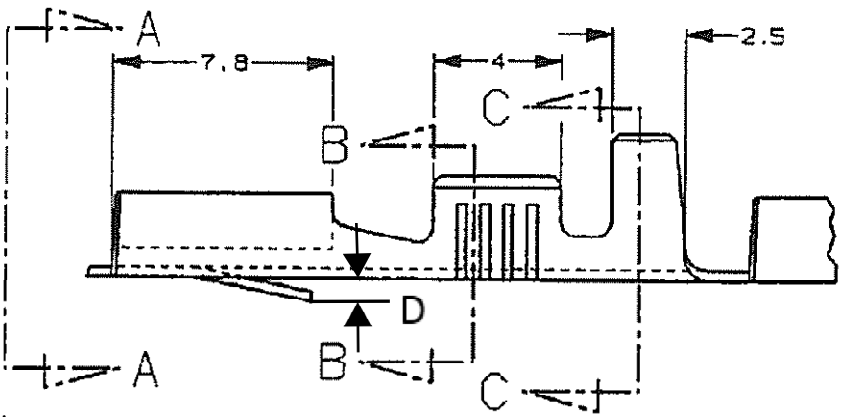
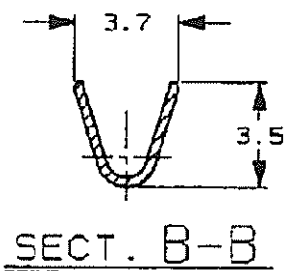
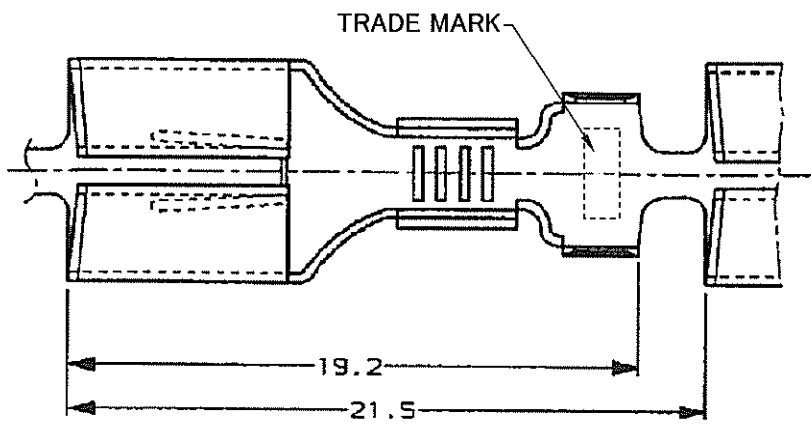
Address: A1208, Overseas Decoration Building, #122 Zhenhua RD., Futian, Shenzhen, China



NUMBER 170031

ANGLE PROJECTION

METRIC



NOTES :

1. PRODUCT SPEC : 108-5001

WITH SEPARATE PAPER REEL

STRESS RELIEVING

FINISH IS SUBJECT TO CHANGE BY THE TYPE OF STRESS RELIVING PROCESS

INERT GAS FURNACE - - - -MATTE

ATOMOSPHERIC FURNACE FOLLOWED BY ACID PICKLE - - - -BRIGHT

注 :

1. 製品規格番号 : 108-5001

中間紙入りリール

ストレス除去処理

処理方により外観が変わります。

不活性ガス加熱方式 - -無光沢

大気加熱方式 - -光沢

この寸法は嵌合力によって管理する

THIS DIMENSION IS CONTROLLED WITH MATING FORCE

VIEW 矢視 C-C

D	PART NUMBER	LOOSE PIECE PN	MATERIAL	FINISH	MATING PN
0.79	170031-1	170054-1	BRASS 0.32T	△	170030 170088
	170031-2	170054-2		TIN	
	4-170031-2 △	170054-2		TIN	
0.93	170031-5	170054-3		TIN	

単位はmm DIMENSIONS IN MM. DO NOT SCALE PRINT

				Tyco Electronics		Tyco Electronics AMP K.K. Kawasaki, Japan	
M1	REVISED ECR-14-007086	KB	TD	22MAY 2014	一般公差 (GENERAL TOLERANCE)	適合電線断面積 (WIRE RANGE)	絶縁外径 (INSULATION DIA.)
M	REVISED ECR-07-011381	J.S	S.M	17MAY '07	10mm以下 : ±0.2	0.5-2.27 mm ² (AWG 20-14)	2.2-3.4 mmφ
L	変更 REVISED F.IIXI-00659-04	TH	NY	19FEB '04	10mm以上 30mm以下 : ±0.25	材料 (MATERIAL)	仕上 (FINISH)
K	変更 REVISED FJ00-5923-96	TS	AT	7/15 '96	30mm以上 100mm以下 : ±0.3	SEE TABLE 表参照	SEE TABLE 表参照 △
J	再作 REDRAWN W/CHANGE 1434-94	T5	KY	10/26 '94	角 度 : ±3°	尺度 (SCALE)	LOC
LTR	変更 (REVISION RECORD)	DR	CHK	DATE	4-1	A	J
DR.	T. Shinohara	DE.	-		番号 (No.)	170031	REV. SHEET
CHK.	K. Yuzawa	APP.	A. Tomita		170031		M1 1 OF 1
				名称 (NAME)			
				.250 SERIES FASTIN FASTON RECEPTACLE			
				.250シリーズ ファスチン ファストン リセプタクル			