



Chipsmall Limited consists of a professional team with an average of over 10 year of expertise in the distribution of electronic components. Based in Hongkong, we have already established firm and mutual-benefit business relationships with customers from,Europe,America and south Asia,supplying obsolete and hard-to-find components to meet their specific needs.

With the principle of “Quality Parts,Customers Priority,Honest Operation,and Considerate Service”,our business mainly focus on the distribution of electronic components. Line cards we deal with include Microchip,ALPS,ROHM,Xilinx,Pulse,ON,Everlight and Freescale. Main products comprise IC,Modules,Potentiometer,IC Socket,Relay,Connector.Our parts cover such applications as commercial,industrial, and automotives areas.

We are looking forward to setting up business relationship with you and hope to provide you with the best service and solution. Let us make a better world for our industry!



Contact us

Tel: +86-755-8981 8866 Fax: +86-755-8427 6832

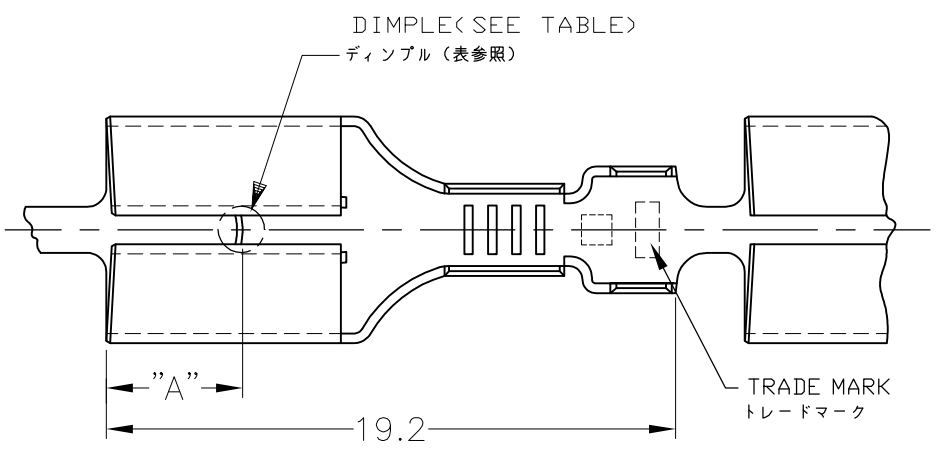
Email & Skype: info@chipsmall.com Web: www.chipsmall.com

Address: A1208, Overseas Decoration Building, #122 Zhenhua RD., Futian, Shenzhen, China

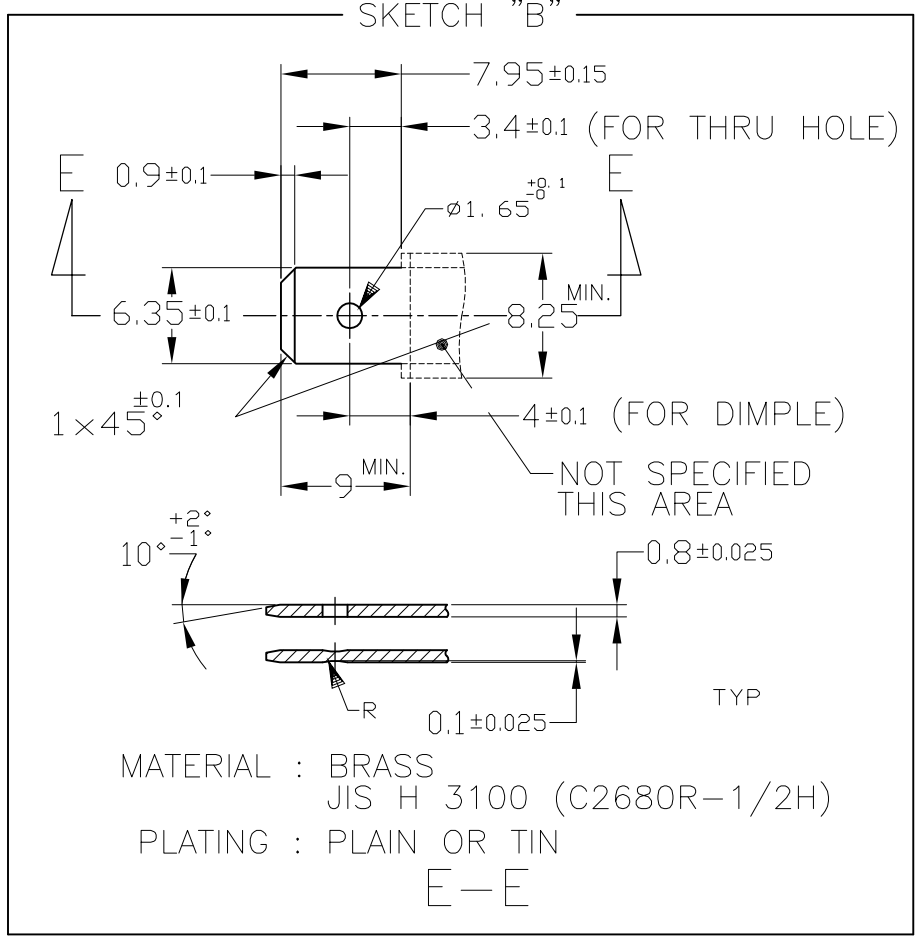
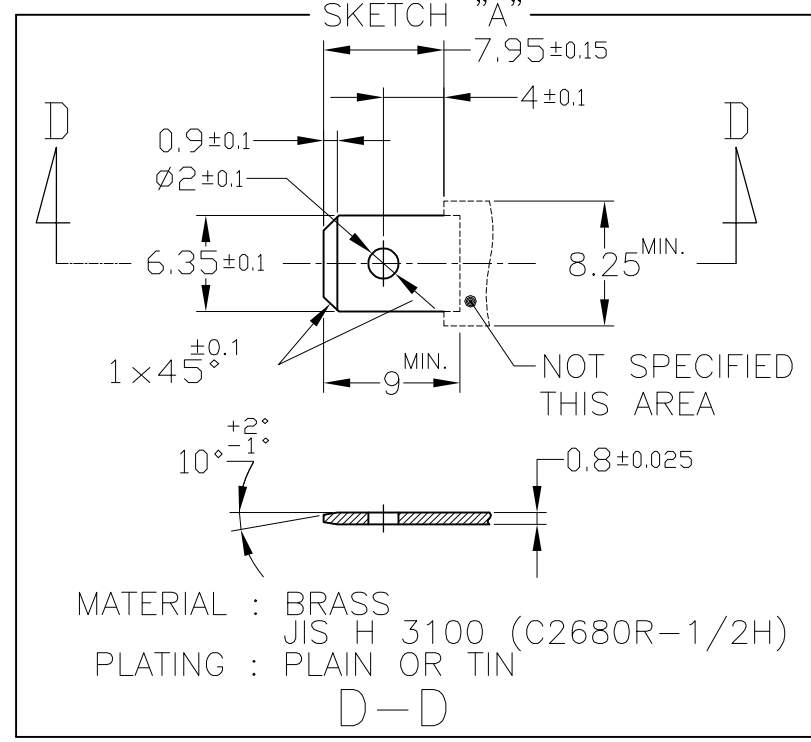


THIS DRAWING IS UNPUBLISHED. RELEASED FOR PUBLICATION
 © COPYRIGHT 2004 By - ALL RIGHTS RESERVED.

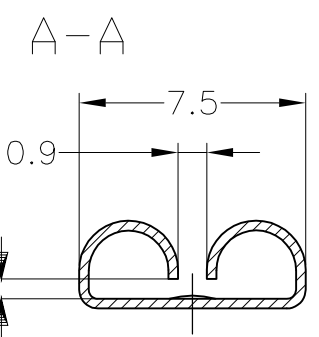
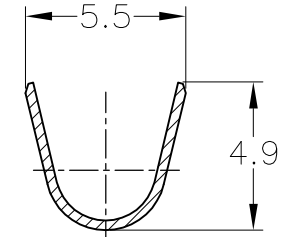
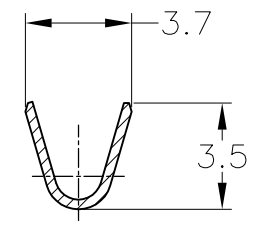
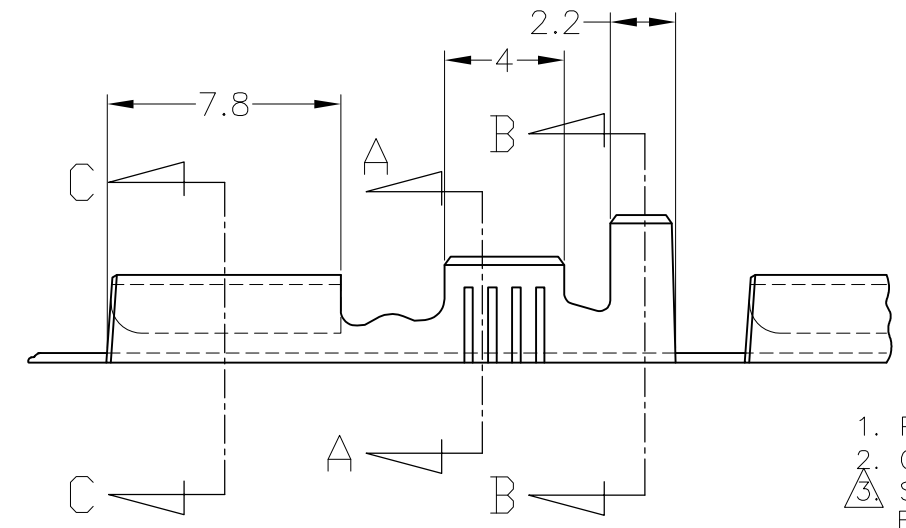
LOC	DIST	REVISIONS		
J	-	P	LTR	DESCRIPTION
		U1		REVISED PER ECO-11-005030
				DATE: 11MAR11
				DWN: RK
				APVD: HMR



推奨タブ図 RECOMMENDED TAB DIMENSIONS



1. PRODUCT SPEC : 108-5153, 108-5169
2. CRIMP SPEC : 114-5052
3. STRESS RELIEVING FINISH IS SUBJECT TO CHANGE BY THE TYPE OF STRESS RELIVING PROCESS
INERT GAS FURNACE - - - -MATTE
ATOMOSPHERIC FURNACE FOLLOWED BY ACID PICKLE - - - -BRIGHT
4. ELIMINATION STRESS RELIVING PROCESS
5. PRODUCT SPECIFICATION: 108-5147
6. QUALIFICATION TEST REPORT: 501-5050



この寸法は嵌合力によって管理する。
THIS DIMENSION IS CONTROLLED WITH MATING FORCE.

OBSELETE	AMP AUSTRALIAN PRODUCT アンプ オーストラリア製	170030-1 OR EQUIVALENT TO 170030	W/O DIMPLE	△4	BRASS	#	#	6-170032-2
		170030-3 OR EQUIVALENT TO 170030	W/O DIMPLE	TIN PLATING 錫メッキ	ZKLF-5 #4	#	#	170032-6
		170256-3 OR EQUIVALENT TO 170256	W/O DIMPLE	TIN PLATING 錫メッキ	BRASS	#	179461-5	170032-5
		SKETCH, "A"	WITH DIMPLE	TIN PLATING 錫メッキ	BRASS	4.5	#	170032-4
OBSELETE		SKETCH "A" OR "B"	WITH DIMPLE	#	BRASS	3.8	#	170032-3
		170030-1 OR EQUIVALENT TO 170030	W/O DIMPLE	#	BRASS	#	#	170032-2
		SKETCH, "A"	WITH DIMPLE	#	BRASS	4.5	#	170032-1
		MATING TAB	DIMPLE	FINISH	MATERIAL	"A"	LOOSE PIECE NUMBER	PART NUMBER

1. 製品規格 : 108-5153, 108-5169
2. 取付適用規格 : 114-5052
3. ストレス除去処理
処理方法により外観が変わります。
不活性ガス加熱方式 - - - 無光沢
大気加熱方式 - - - 光沢
4. ストレス除去処理をしない。
5. 製品規格 : 108-5147
6. 認定試験報告書 : 501-5050

THIS DRAWING IS A CONTROLLED DOCUMENT.

DIMENSIONS: 単位: 概 mm	TOLERANCES UNLESS OTHERWISE SPECIFIED: 一般公差 ±0.4	DWN A.YAMAGUCHI 23JUN04	TE Connectivity 250 SERIES RECEPTACLE WITHOUT LATCH
		CHK K.BETSUI 23JUN04	
		APVD K.BETSUI 23JUN04	
MATERIAL 材料 0.32 THK	FINISH 仕上 SEE TABLE △3	NAME 名称 250 SERIES RECEPTACLE WITHOUT LATCH	
WIRE RANGE 0.5-2.27mm ² (AWG20-14)	INSULATION DIA. 2.16~3.43mmφ	PRODUCT SPEC 製品規格 SEE NOTE	SIZE A3
		APPLICATION SPEC 取付適用規格	CAGE CODE 00779
		WEIGHT -	DRAWING NO 番号 C-170032
		CUSTOMER DRAWING	RESTRICTED TO -
		SCALE 尺度 4:1	SHEET 1 OF 1
			REV U1