



Chipsmall Limited consists of a professional team with an average of over 10 year of expertise in the distribution of electronic components. Based in Hongkong, we have already established firm and mutual-benefit business relationships with customers from,Europe,America and south Asia,supplying obsolete and hard-to-find components to meet their specific needs.

With the principle of “Quality Parts,Customers Priority,Honest Operation,and Considerate Service”,our business mainly focus on the distribution of electronic components. Line cards we deal with include Microchip,ALPS,ROHM,Xilinx,Pulse,ON,Everlight and Freescale. Main products comprise IC,Modules,Potentiometer,IC Socket,Relay,Connector.Our parts cover such applications as commercial,industrial, and automotives areas.

We are looking forward to setting up business relationship with you and hope to provide you with the best service and solution. Let us make a better world for our industry!



Contact us

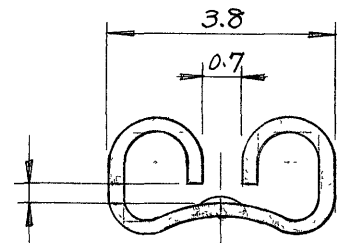
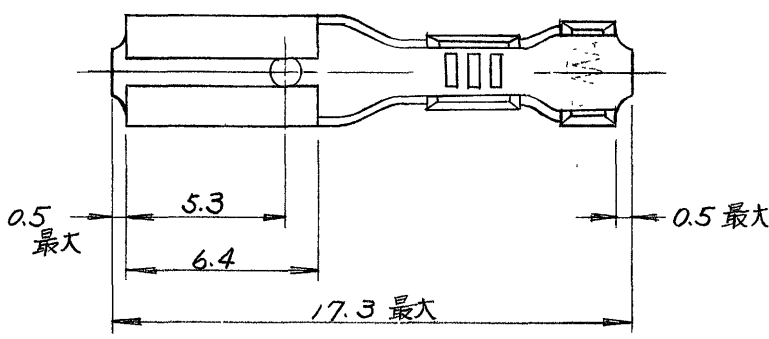
Tel: +86-755-8981 8866 Fax: +86-755-8427 6832

Email & Skype: info@chipsmall.com Web: www.chipsmall.com

Address: A1208, Overseas Decoration Building, #122 Zhenhua RD., Futian, Shenzhen, China

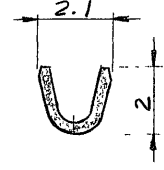


番号 (NUMBER): C-170048

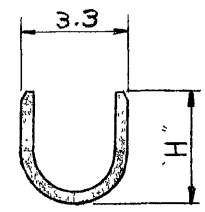


この寸法は嵌合力によって管理する。

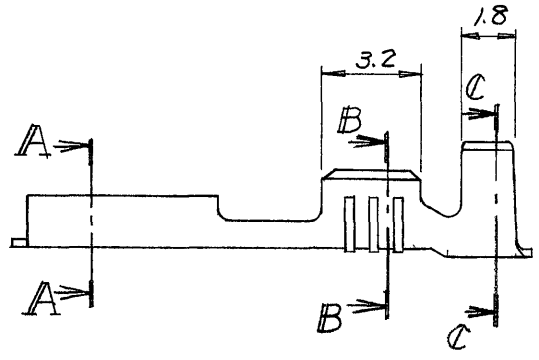
断面 A-A
尺度 8-1



断面 B-B



断面 C-C



注)

1. 嵌合するファストンタブの詳細については CP 063-045 J の図面参照のこと。

△ OBSOLETE PART NUMBER

バラ状端子型番	連鎖状端子型番	材 料	仕 上	寸法 "H"	嵌合相手寸法
△ 170048-1	170043-1	黄銅 0.25t	—	3.6	0.5±0.025
170048-2	170043-2	黄銅 0.25t	錫めっき		
170048-4	170043-4	燐青銅 0.25t	錫めっき		
170048-5	170043-5	錫めっき黄銅 0.25t	—		
170048-6	170043-6	黄銅 0.25t	錫めっき	3.3	
170048-7	170043-7	燐青銅 0.25t	錫めっき		

単位: 尺 DIMENSIONS IN MM DO NOT SCALE PRINT

参考図面 (CUSTOMER COPY) REFERENCE ONLY	
材料 (MATERIAL) 表参照	TE Connectivity
仕上 (FINISH) 表参照	
包含電線断面積 (WIRE RANGE) 0.20~0.56 mm ² (AWG 24-20)	分類 (CLASS) ファストン
被覆外径 (INSULATION DIA) 2.0~3.0 mm (080-120IN)	型式 (TYPE) —
一般公差 (TOLERANCE EXCEPT AS NOTED) ±0.4 ±0.15 ±1°	尺度 (SCALE) 4-1
LOC	SIZE
型番 (PART NO.) J A C-170048	REV B2
名称 (NAME) "110" シリーズ ファストン リセプタクル (バラ状)	

B2	REVISED PER ECR-15-016360	NK	LP	10MAR16
LTR	発用 REVISION RECORD)	DR	CHK	DATE
DR	4-21/75	DE	5/12/75	
CHK	5/23/75 APP			

H. Shibasaki
M. Asahid
Y. Matsumoto
Y. Sato