



Chipsmall Limited consists of a professional team with an average of over 10 year of expertise in the distribution of electronic components. Based in Hongkong, we have already established firm and mutual-benefit business relationships with customers from,Europe,America and south Asia,supplying obsolete and hard-to-find components to meet their specific needs.

With the principle of “Quality Parts,Customers Priority,Honest Operation,and Considerate Service”,our business mainly focus on the distribution of electronic components. Line cards we deal with include Microchip,ALPS,ROHM,Xilinx,Pulse,ON,Everlight and Freescale. Main products comprise IC,Modules,Potentiometer,IC Socket,Relay,Connector.Our parts cover such applications as commercial,industrial, and automotives areas.

We are looking forward to setting up business relationship with you and hope to provide you with the best service and solution. Let us make a better world for our industry!



## Contact us

Tel: +86-755-8981 8866 Fax: +86-755-8427 6832

Email & Skype: info@chipsmall.com Web: www.chipsmall.com

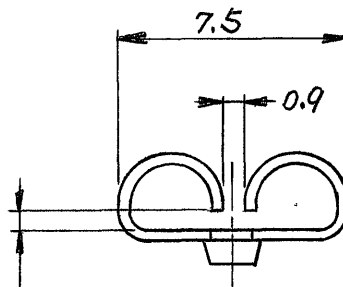
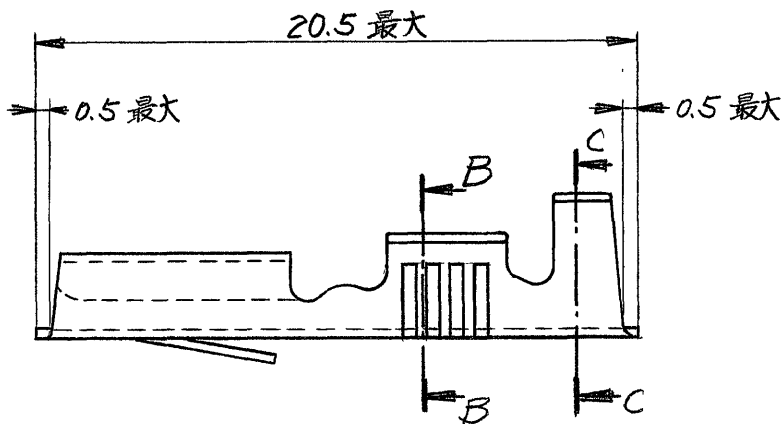
Address: A1208, Overseas Decoration Building, #122 Zhenhua RD., Futian, Shenzhen, China



番号 (NUMBER)

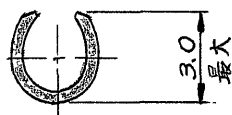
C-170054

A  
A

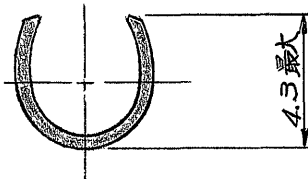


この寸法は嵌合力によって管理される

矢視 A-A



断面 B-B




断面 C-C

型番	S/T型番	材質	仕上	製品規格番号
170054-1	170031-1	黄銅 0.32t	—	108-5001
170054-2	170031-2	〃	錫めき	〃

単位: 耗 DIMENSIONS IN MM. DO NOT SCALE PRINT

PRINT DIST

				©1974 日本エー・エム・ピー株式会社 AMP社の製品は特許又は特許出願中	©1974 BY AMP (Japan), Ltd ALL RIGHTS RESERVED AMP PRODUCTS COVERED BY PATENTS AND/OR PATENTS PENDING	参考図面 (CUSTOMER COPY) REFERENCE ONLY	
材料 (MATERIAL)				表参照		 日本エー・エム・ピー株式会社 TOKYO, JAPAN	
仕上 (FINISH)				表参照			
抱合電線断面積 (WIRE RANGE)				0.5 ~ 1.42 mm <sup>2</sup> (AWG 20-16)		分類 (CLASS)	
被覆外径 (INSULATION DIA)				2.2 ~ 3.4 mm (0.85 ~ 1.35 IN)		型式 (TYPE)	
LTR. 変更 (REVISION RECORD)				DR	CHK.	DATE	REV
DR H. Shibasaki 9/20/74				DE.		REV 0	
CHK. T. Suguki 9/20/74				APP. Y. Sato 9/25/74		名称 (NAME)	
				TOLERANCE { EXCEPT AS NOTED } ±0.4 (±0.15") ±1°		尺度 (SCALE) 4-1	
				LOC J		SIZE A	
				番号 (NO) C-170054			
250 シリーズ"ファステン・ファストン・リセプタクル							